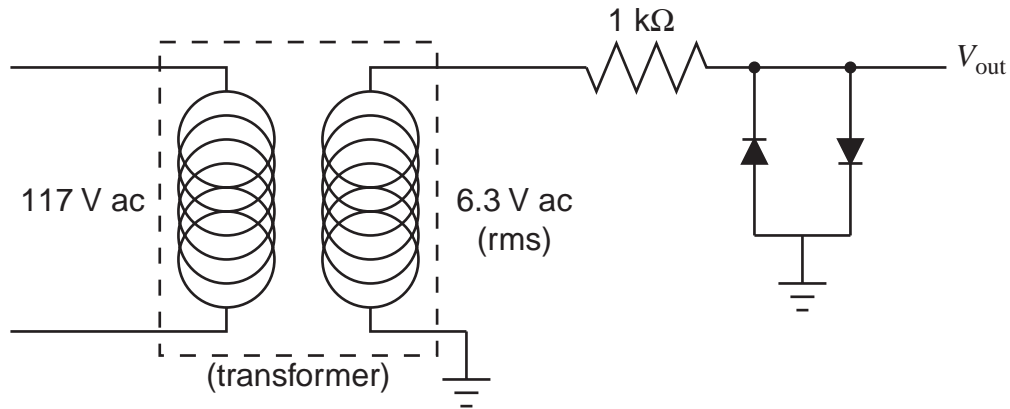


**Physics 251**  
**Fall 1998**  
**Homework #10**  
**Due: Friday November 20, 1998**

1. Tipler 28-62.
2. Tipler 28-66.
3. Tipler 28-75.
4. (Horowitz & Hill Additional Exercise 1-7) Sketch the output for the circuit shown below.



5. For the *pn*p-transistor amplifier shown below, suppose  $R_b = 2 \text{ k}\Omega$  and  $R_L = 10 \text{ k}\Omega$ . Suppose further that  $10 \mu\text{A}$  ac base current generates a  $0.5 \text{ mA}$  ac collector current. What is the voltage gain of the amplifier?

