

Core Product Guide

T-Slotted Aluminum Framing System



● Machine Guarding & Safety Enclosures



● Automation Projects



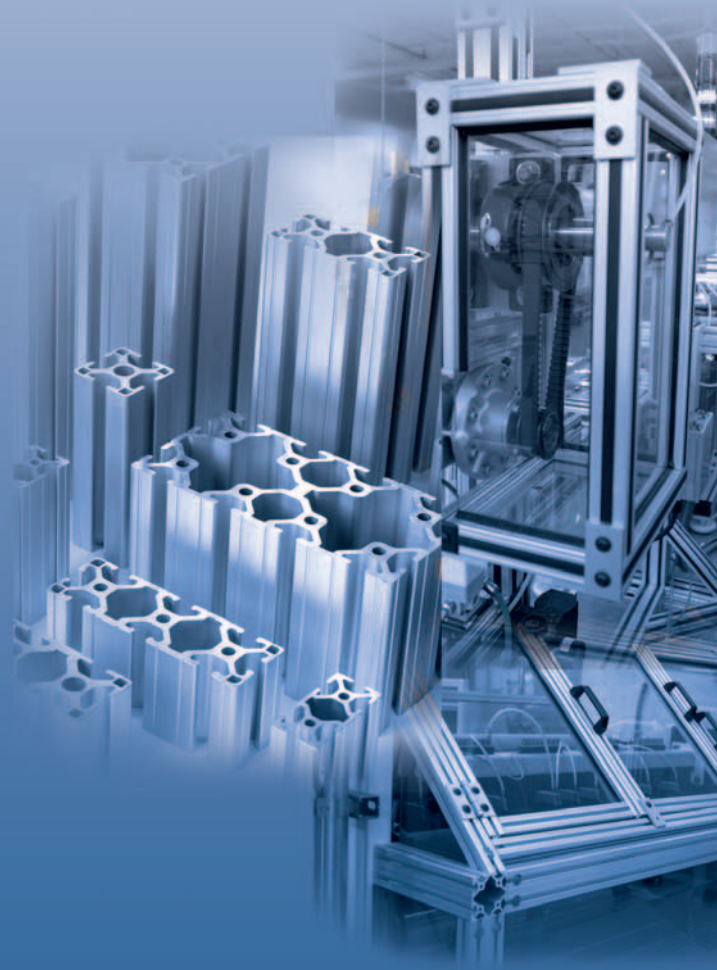
● Material Handling



● Machine Bases



● Workstations



Faztek Contact Information

Phone: 260.482.7544

Fax: 260.482.7354

Toll-Free: 877.FAZTEK.4U
(329835.4U)

Web: www.faztek.net

E-mail: sales@faztek.net

Department Directory

Customer Service

Extension 214

Inside Sales

Extension 202

Quoting/Design

Extension 203

Accounting

Extension 206

Outside Sales

Extension 215

Marketing

Extension 201

Office/Manufacturing Address

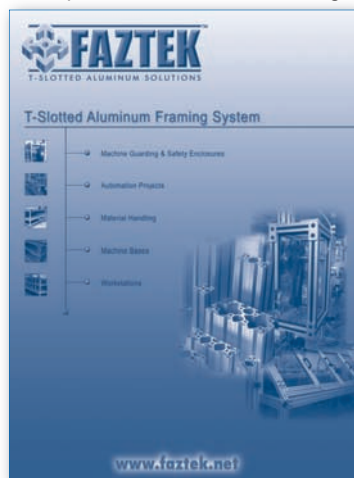
5120 Investment Drive • Fort Wayne, Indiana 46808

Faztek's Core Product Guide is a selection of the most commonly used T-Slotted extrusion profiles and components. These core products have been selected from the complete Faztek line of over 1000 parts, making the design process for most projects quick and easy.

What does the Core Product Guide mean to you?

- **Lower prices** - all core products have been priced with a special discounted rate
- **Greater Inventory** - because of the popularity of these parts, Faztek offers a larger in-stock supply
- **Shorter Lead Times** - increased purchasing and manufacturing of the core products ensures the shortest possible lead time

Complete 2008 Product Catalog



If you do not see the product you are looking for in this guide, please contact Faztek, your Faztek Distributor, or view the full **Faztek Product Catalog** on-line at www.faztek.net.

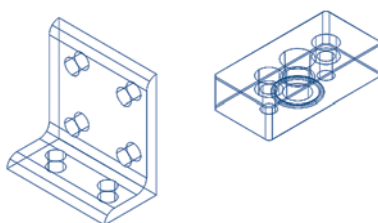
- Over 1000 parts and accessories
- Detailed drawings and part specifications
- Project application examples
- Technical information

Visit Faztek On-line for downloads and other resources to learn more about T-Slotted aluminum framing and help you design your next project.

Product Literature



2D/3D CAD Files



Quoting Software

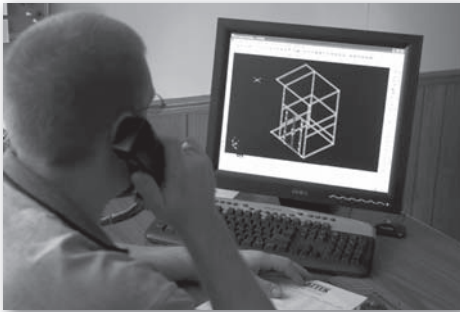


Thank You For Choosing Faztek!

Fast-Flexible-Functional

What do we mean by “fast”, “flexible”, and “functional”?

Simply put, it all comes down to saving you time and money. **Faztek** will work with you to provide a solution **fast**, because we understand you value your time and resources. We are dedicated to providing a cost-effective solution in a timely manner. Since most T-Slotted projects are custom designed to a specific application, we realize the need to be **flexible**. Just let us know what you need, and we will work with you to provide a complete custom solution. Finally, it is crucial to provide **functional** products and resources to all of our customers. That’s why we offer useful products like FrameCreator™, a free design software program and on-line resources available 24/7. Furthermore, **Faztek** provides **FREE** design assistance to help you get the job done right the first time.



FREE Design Assistance

Faztek is ready to help you with your project:

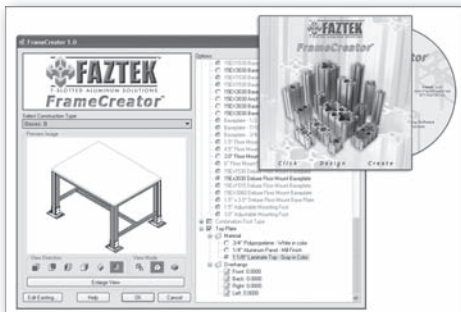
- Experienced Project Designers on staff
- Ready to use CAD files created for use in most CAD systems
- Call, E-Mail or Fax your project to us



FREE Kit Packaging

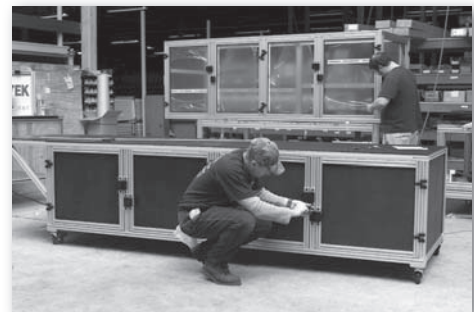
Save time and money with Faztek’s free kit packaging service

- Receive your project ready for quick assembly
- All extrusions, fasteners and accessories are conveniently packaged and labeled for easy assembly



FrameCreator™ Design Software

FrameCreator makes designing with T-Slotted aluminum quick and easy. Create projects within AutoCAD® with little or no experience. FrameCreator will automatically generate a full bill of materials and 3D drawings when your design is complete.



Fast Assembly

No matter what your T-slotted aluminum extrusion problem, Faztek has the solution. If you don’t have the time or resources, we can assist you with complete project assembly at our facility. You’ll receive your project completely assembled and ready to go.



*Why should you choose Faztek
for all of your T-Slotted aluminum needs?*



Advantages

Functional Products

- T-Rail Linear Guide Profile - Smooth, linear motion performance without the high costs. Integrated right into a 1.5" x 1.5" and 1.5" x 3.0" T-Slotted profile!
- Wide selection of smooth and standard profiles with alignment grooves.
- Lite and ultra-lite profiles reduce weight and costs associated with your project.
- T-Anchor fasteners provide a strong connection for use with all Faztek '15SM' smooth extrusions. No need to notch for panels or wire mesh!
- Easy-to-use machiningless fasteners make assembly simple. No machining necessary, just install and tighten.
- Continually introducing new and improved products to maximize functionality.

Exceptional Service

- Free Design Service - work directly with one of our designers to ensure your project is a success.
- Want to design your own project? Use our free FrameCreator™ design software for quick and accurate quotes.
- Over 40 years of combined experience in the T-Slotted aluminum extrusion business.
- Fast, responsive service - we specialize in quick shipments on kit orders.
- Save time and money with Faztek's assembly service. Receive your order fully assembled and ready for use.
- Looking for a custom part? Need to modify an existing part? Faztek can machine parts and extrusions to your specifications. Just send a drawing and details and we'll do the rest.

T-Slotted Aluminum Extrusion Profiles

Faztek's T-Slotted aluminum extrusions can be used to create a wide variety of projects, including machine guards, workstations, machine bases, work cells, automated equipment and much more. The modularity of Faztek's framing system is a valuable characteristic, allowing for flexibility and the ability to make modifications at a later time, if necessary.

- Available in 97" and 145" standard lengths / Faztek can cut to length for a small fee
- Constructed from high quality 6063-T6 aluminum
- Clear anodize finish for protection

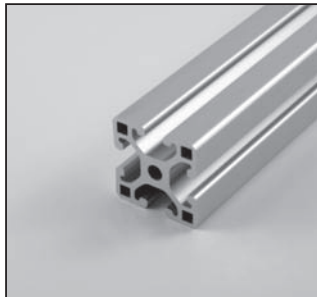
15QE1515

1.5" X 1.5" HEAVY - SMOOTH



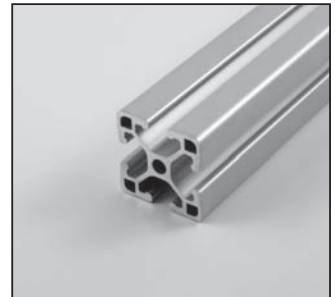
15QE1515L

1.5" X 1.5" LITE - SMOOTH



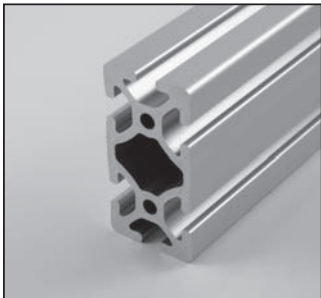
15QE1515UL

1.5" X 1.5" ULTRA-LITE - SMOOTH



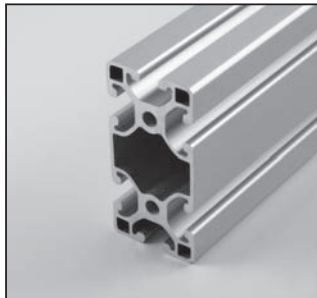
15QE1530

1.5" X 3.0" HEAVY - SMOOTH



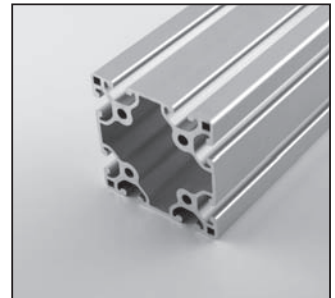
15QE1530L

1.5" X 3.0" LITE - SMOOTH



15QE3030L

3.0" X 3.0" LITE - SMOOTH



15AC7925

1.5" X 1.5" ENDCAP FOR EX & QE PROFILES

15AC7932

3.0" X 3.0" ENDCAP FOR EX & QE PROFILES

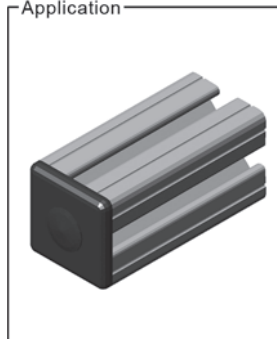
15AC7930

1.5" X 3.0" ENDCAP FOR EX & QE PROFILES




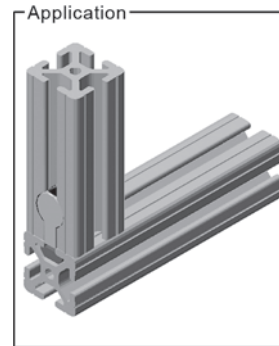
15AC7934 Push-in fastener included

Application



Anchor Fasteners


15 Series Anchor Fastener Assembly w/ Drop-In T-Nut	
Part No. 15FAC3888 (5/16-18 T-Nut)	
Very strong connection method	
Fast, easy assembly	
Corrosion resistant finish	
Zinc die casting material	
Infinite positioning along the T-slot	

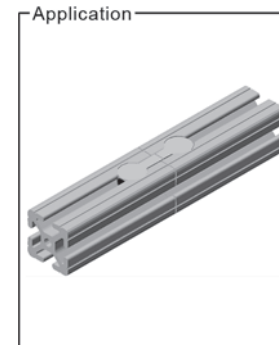


Machining Required

Service No.	Description
15MA9071	15 Series counterbore drilling service

Butt Fasteners


15 Series Butt Fastener Assembly	
Part No. 15FAC3886	
Join two extrusions together at the ends to extend the total length	
Use on two sides for maximum strength	

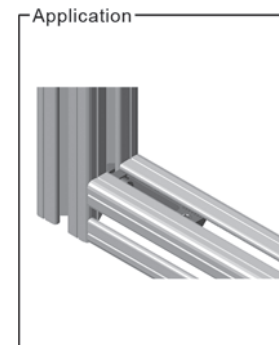


Machining Required

Service No.	Description
15MA9071	15 Series counterbore drilling service

T-Slot Connector

15 Series T-Slot Connector	
Part No. 15FAC3894	
No machining required	
Infinite positioning along the T-slot	
Position and tighten with set screw	



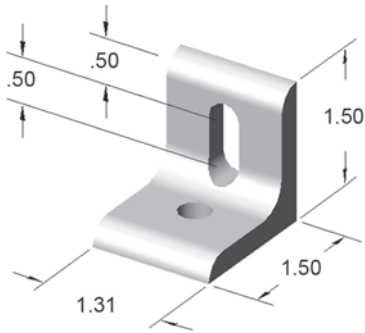
NO Machining Required!

- The quickest and easiest way to connect extrusions.
- Recommended for light-duty applications.

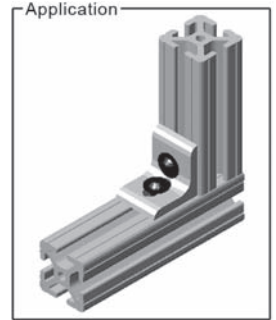


15CB4000

2 HOLE SLOTTED INSIDE CORNER BRACKET



- Corner brackets and joining plates offer:
- Assembly without machining extrusions
 - Quick and easy assembly
 - Convenient field modification

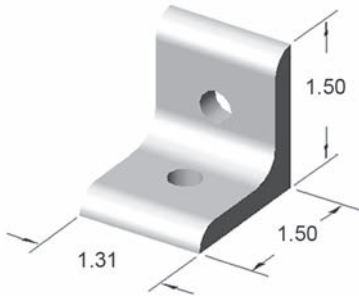


RECOMMENDED HARDWARE

DESCRIPTION	PART NO.
5/16-18 x 5/8 FBHSCS	13FA3331
5/16-18 ECONOMY T-NUT	15FA3501

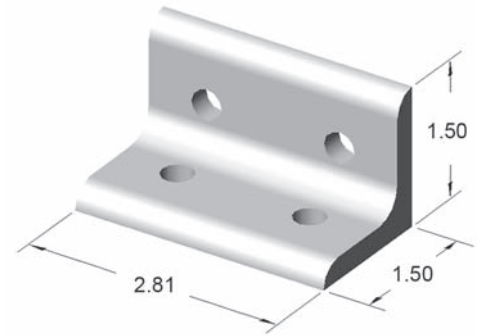
15CB4801

2 HOLE INSIDE CORNER BRACKET



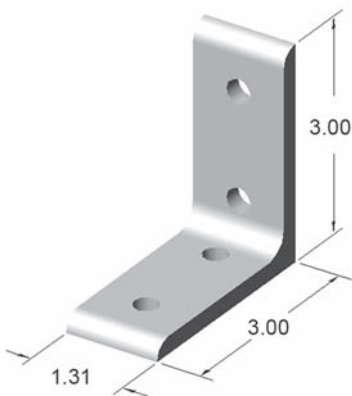
15CB4803

4 HOLE INSIDE CORNER BRACKET



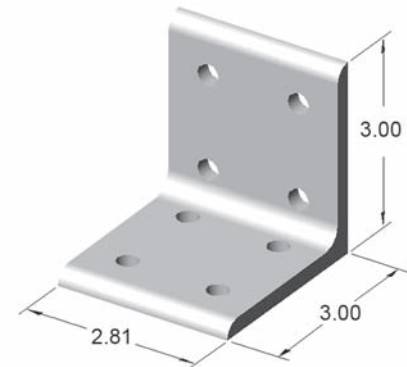
15CB4804

4 HOLE INSIDE CORNER BRACKET



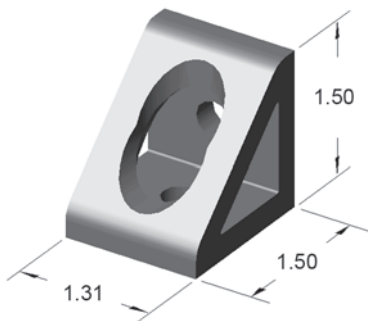
15CB4805

8 HOLE INSIDE CORNER BRACKET



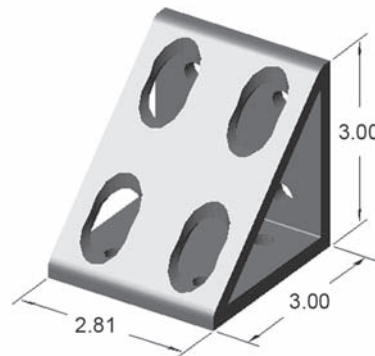
15CB4840

2 HOLE INSIDE GUSSET CORNER BRACKET



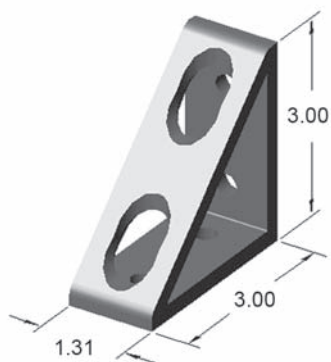
15CB4843

8 HOLE INSIDE GUSSET CORNER BRACKET



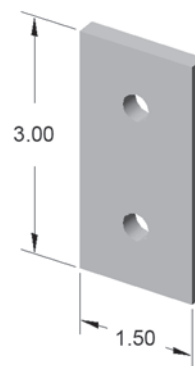
15CB4842

4 HOLE INSIDE GUSSET CORNER BRACKET



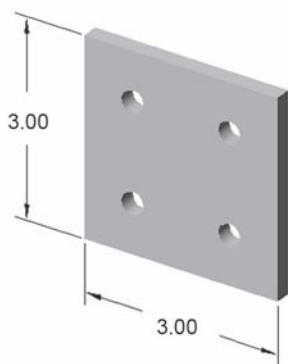
15JP4501

2 HOLE JOINING STRIP



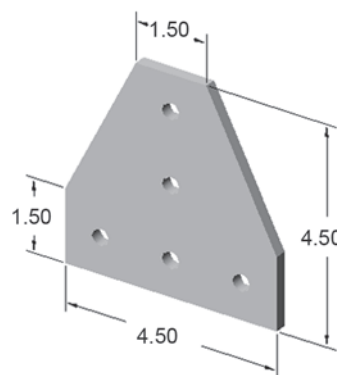
15JP4504

4 HOLE JOINING PLATE



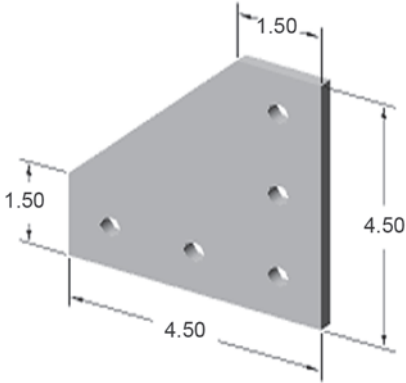
15JP4506

5 HOLE TEE JOINING PLATE



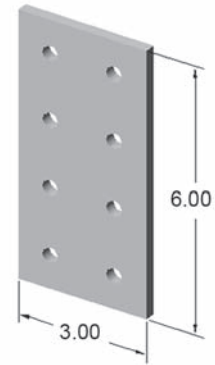
15JP4507

5 HOLE 90° JOINING PLATE



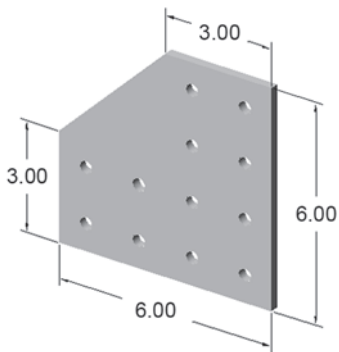
15JP4509

8 HOLE JOINING PLATE



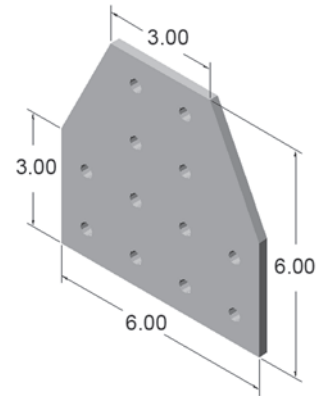
15JP4510

12 HOLE 90° JOINING PLATE



15JP4520

12 HOLE TEE JOINING PLATE



45° Support Brackets

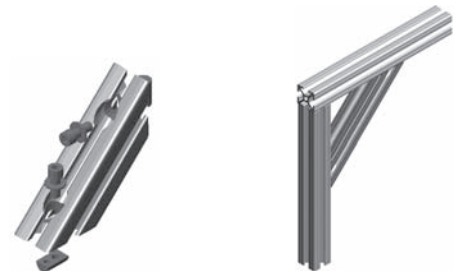
45° Supports provide strong connections for heavy duty projects where high weight loads may exist. You can also reinforce existing connections with 45° supports to ensure maximum handling capacity.

- Hardware included - screws, washers and t-nuts
- Choose from a variety of lengths or customize to fit your needs

Hardware Included

Part No.	Extrusion Type	Length
15SP1875	15QE1515L	12.00"
15SP1876	15QE1515L	18.00"

Lengths are determined by the distance between the outermost edges.



Product Application Examples



Keeping your work area safe and clean is a top priority. This CNC guard was designed to contain spraying coolant and airborne debris. Clear polycarbonate panels enable high visibility and two hinged doors allow the user to access finished parts and tooling. Side removable panels also allow for maintenance and greater access to the machine.

Materials Used:

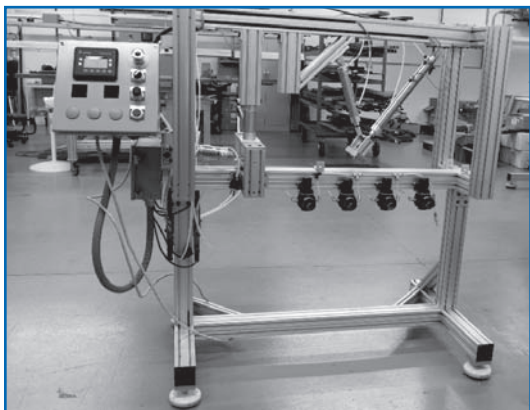
- 15SM1515 T-Slot aluminum extrusions
- 1/4" clear polycarbonate panels
- Nylon lift-off hinges
- Leveling feet
- Blue T-Slot cover
- Door handles



Bifold doors provide access inside this guarded equipment. Clear polycarbonate panels allow for clear vision while protecting employees from moving parts.

Materials Used:

- 15EX1515L, 15EX1530 T-Slot aluminum extrusions
- UHMW door glides
- 1/4" clear polycarbonate panels
- Plastic door handles
- Various fasteners



This test station contains an assortment of electrical and pneumatic equipment supported by Faztek extrusions. A portion of the electrical wiring and hoses are channeled through the extrusion for clean, hidden appearance


Materials Used:

- 15EX3030 T-Slot aluminum extrusions
- Heavy duty leveling pads
- Plastic end caps
- Custom 45° supports
- Various fasteners


See more examples at www.faztek.net!

Fasteners & Hardware


Economy T-Nuts

	Part No.	Description	Thread	Material	Tap Location	Width
	15FA3501	Economy T-Nut	5/16-18	Steel	Offset	.625
	15FA3502	Double Economy T-Nut	5/16-18	Steel	Centered	.500
	15FA3506	Economy T-Nut	1/4-20	Steel	Offset	.500
	15MFA3920	Economy T-Nut	M8 x 1.25	Steel	Offset	.625

Standard T-Nuts


	Part No.	Description	Thread	Material	Tap Location	Width
	15FA3503	Standard T-Nut	5/16-18	Steel	Offset	.625
	15FA3513	Standard T-Nut	10-32	Steel	Offset	.625

Drop-In T-Nuts


	Part No.	Description	Thread	Material	Tap Location	Width
	15FA3511	Drop-In T-Nut w/ Alignment Ball	5/16-18	Steel	Offset	.500
	15FA3522*	Drop-In T-Nut w/ Spring Leaf	5/16-18	Steel	Offset	.500
	15FA3536	Drop-In T-Nut w/ Alignment Ball	1/4-20	Steel	Offset	.500
	15FA3534	Drop-In T-Nut w/ Alignment Ball	10-32	Steel	Offset	.500
	15MFA3923	Drop-In T-Nut w/ Alignment Ball	M8 x 1.25	Steel	Offset	.500

* Recommended for use with Ultra-Lite profiles


Button Head Socket Cap Screws (BHSCS)

	Part No.	Description	Material	Tool
	13FA3321	5/16-18 x 1/2 BHSCS	Steel	3/16 Hex
	13FA3322	5/16-18 x 5/8 BHSCS	Steel	3/16 Hex
	13FA3323	5/16-18 x 1 BHSCS	Steel	3/16 Hex
	13FA3316	10-32 x 3/8 BHSCS	Steel	5/32 Hex
	13FA3128	10-32 x 1/2 BHSCS	Steel	5/32 Hex
	13FA3129	10-32 x 5/8 BHSCS	Steel	5/32 Hex

Flanged Button Head Socket Cap Screws (FBHSCS)


	Part No.	Description	Material	Tool
	13FA3330	5/16-18 x 1/2 FBHSCS	Steel	3/16 Hex
	13FA3331	5/16-18 x 5/8 FBHSCS	Steel	3/16 Hex
	13FA3308	1/4-20 x 3/8 FBHSCS	Steel	5/32 Hex
	13FA3309	1/4-20 x 1/2 FBHSCS	Steel	5/32 Hex
	13FA3310	1/4-20 x 3/4 FBHSCS	Steel	5/32 Hex

Socket Head Cap Screws (SHCS)


	Part No.	Description	Material	Tool
	13FA3325	5/16-18 x 5/8 SHCS	Steel	1/4 Hex
	13FA3326	5/16-18 x 3/4 SHCS	Steel	1/4 Hex
	13FA3327	5/16-18 x 7/8 SHCS	Steel	1/4 Hex
	13FA3328	5/16-18 x 1-1/4 SHCS	Steel	1/4 Hex
	13MFA3613	M8 x 16 SHCS	Steel	M5 Hex
	13MFA3615	M8 x 20 SHCS	Steel	M5 Hex

Fasteners & Hardware

Washers

	Part No.	Description	Material	Tool
	13FA3700	5/16" x .062" Washer	Steel	N/A
	13FA3701	1/4" x .062" Washer	Steel	N/A

Flat Head Socket Cap Screws (FHSCS)

	Part No.	Description	Material	Tool
	13FA3111	1/4-20 x 5/8 FHSCS	Steel	5/32 Hex

Assembly Tools

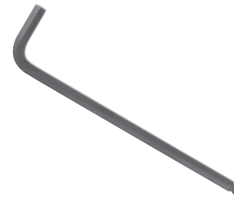
Ball End T-Handle Drivers

PART NO.	DESCRIPTION / SIZE
13TL1201	BALL END T-HANDLE DRIVER - 3/16"
13TL1202	BALL END T-HANDLE DRIVER - 1/4"
13TL1203	BALL END T-HANDLE DRIVER - 5/32"



Ball End Hex Wrenches

PART NO.	DESCRIPTION / SIZE
13TL1301	BALL END HEX WRENCH - 3/16"
13TL1302	BALL END HEX WRENCH - 1/4"
13TL1303	BALL END HEX WRENCH - 5/32"



Ball End Set

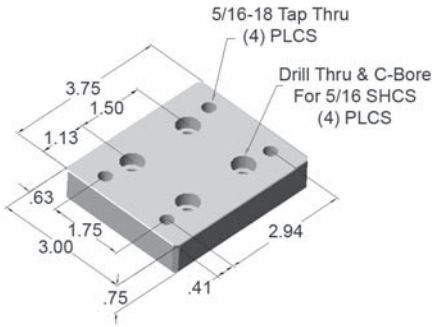
PART NO.	DESCRIPTION / SIZE
13TL1401	BALL END FOLD OUT - STANDARD



- Ball ends allow for angle entry up to 25°
- Corrosion resistant
- Protanium™ high torque steel
- T-Handles equipped with cushion grip

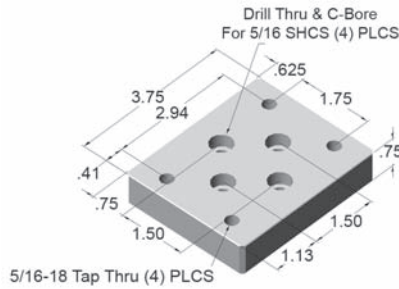
15BP2500

FLANGE MOUNT CASTER BASE PLATE



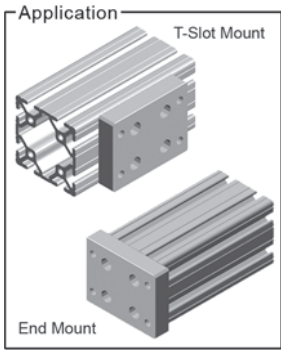
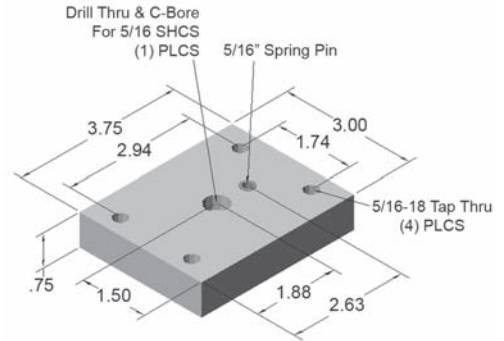
15BP2501

FLANGE MOUNT CASTER BASE PLATE



15BP2503

FLANGE MOUNT CASTER BASE PLATE



RECOMMENDED HARDWARE: T-SLOT MOUNT

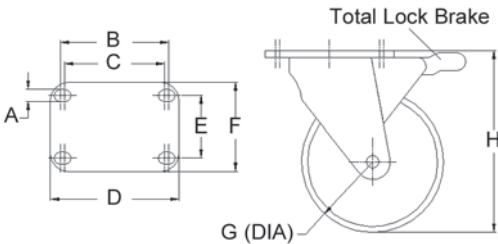
DESCRIPTION	PART NO.
5/16-18 x 7/8 SHCS	13FA3327
5/16-18 ECONOMY T-NUT	15FA3501

RECOMMENDED HARDWARE: END MOUNT

DESCRIPTION	PART NO.
5/16-18 x 7/8 SHCS	13FA3327

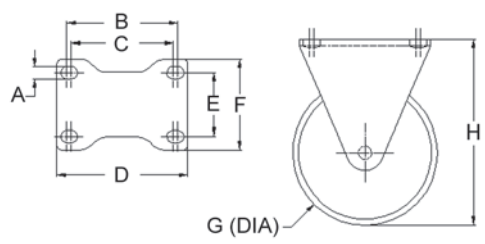
13CA8102

4" SWIVEL CASTER W/ BRAKE



13CA8103

4" RIGID CASTER W/O BRAKE

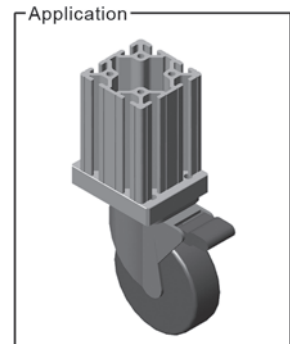


RECOMMENDED HARDWARE

QTY	DESCRIPTION	PART NO.
4	5/16-18 x 5/8 SHCS	13FA3325

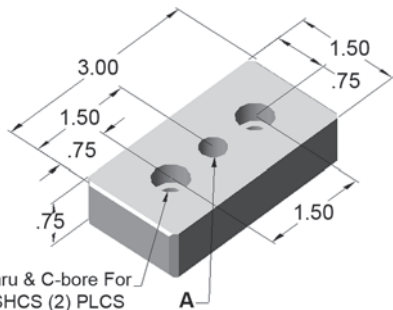
- Polyurethane Hi-Tech wheel material Capacity.....275 lbs.
- Hardened bushings Wheel Color.....Dark red
- Grease fittings for wheel bearings Oil Resistance....Good

PART NO.	A	B	C	D	E	F	G	H
13CA8102	.340	3.06	2.81	3.59	1.75	2.50	4.00	5.13
13CA8103	.340	3.06	2.81	3.59	1.75	2.50	4.00	5.13



15BP2561

1.5" x 3.0" BASE PLATE
'A' TAP THRU = 3/8-16



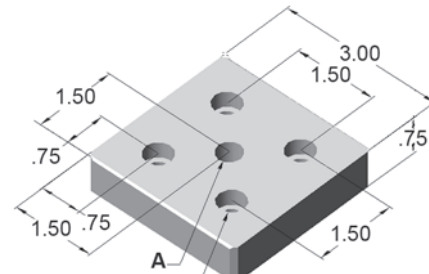
Drill Thru & C-bore For 5/16 SHCS (2) PLCS

15BP2580

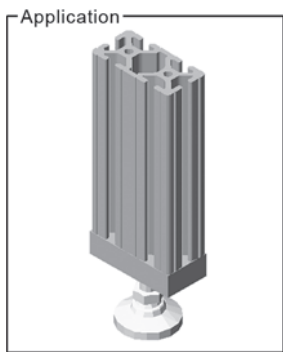
1.5" x 3.0" BASE PLATE
'A' TAP THRU = 1/2-13

15BP2585

3.0" x 3.0" BASE PLATE
'A' TAP THRU = 3/8-16



Drill Thru & C-bore For 5/16 SHCS (4) PLCS



RECOMMENDED HARDWARE: T-SLOT MOUNT

QTY	DESCRIPTION	PART NO.
4	5/16-18 x 7/8 SHCS	13FA3327
4	5/16-18 ECONOMY T-NUT	15FA3501

- Mounts on the extrusion end or side
- End mount requires tapping service

RECOMMENDED HARDWARE: END MOUNT

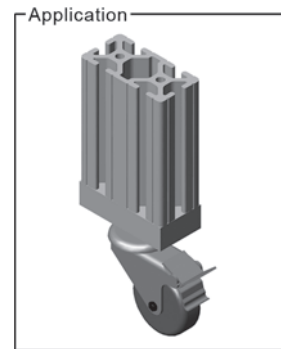
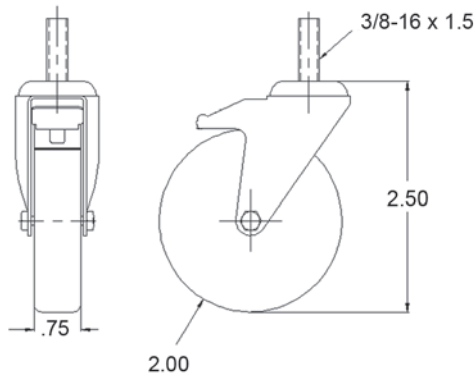
QTY	DESCRIPTION	PART NO.
4	5/16-18 x 7/8 SHCS	13FA3327

13CA8100

2" THREADED STEM CASTER W/ BRAKE

Capacity.....125 lbs.
Wheel Color.....Black
Oil Resistance....Average

- Cushionex Supreme wheel material
- Derlin wheel bearings
- Factory lubricated raceways
- Requires base plate



13CA8118

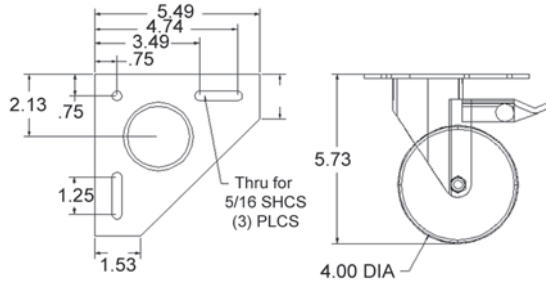
4" TRIANGLE TOP PLATE CASTER W/ BRAKE

Capacity.....250 lbs.
 Wheel Color.....Black
 Oil Resistance....Good

- No base plate required

RECOMMENDED HARDWARE

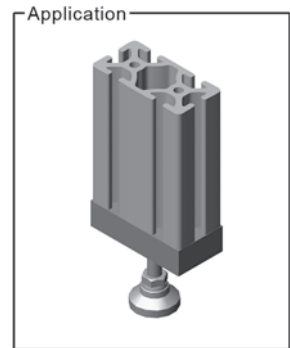
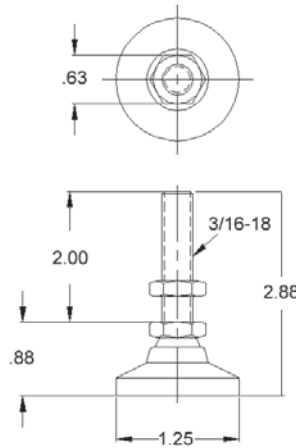
QTY	DESCRIPTION	PART NO.
3	5/16-18 x 5/8 SHCS	13FA3325
3	5/16-18 WASHER	13FA3700
3	5/16-18 ECONOMY T-NUT	15FA3501



13FF8118

DELUXE LEVELING FOOT 3/8-16

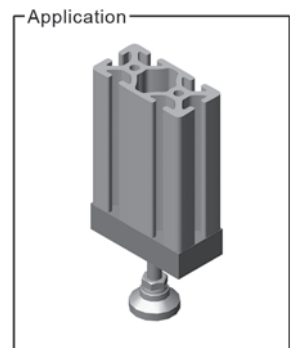
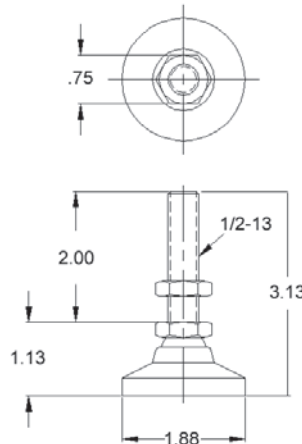
- 20° pivot accommodates for uneven floors or slight inclines
- Jam nut included
- Yellow zinc finish



13FF8122

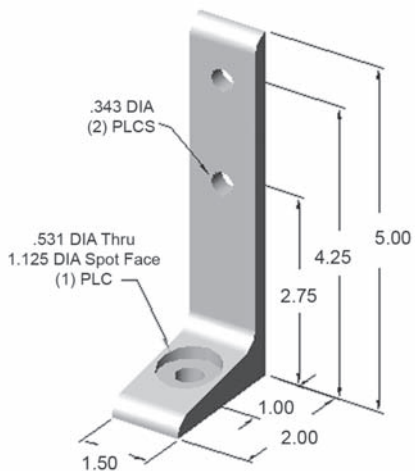
DELUXE LEVELING FOOT 1/2-13

- 20° pivot accommodates for uneven floors or slight inclines
- Jam nut included
- Yellow zinc finish



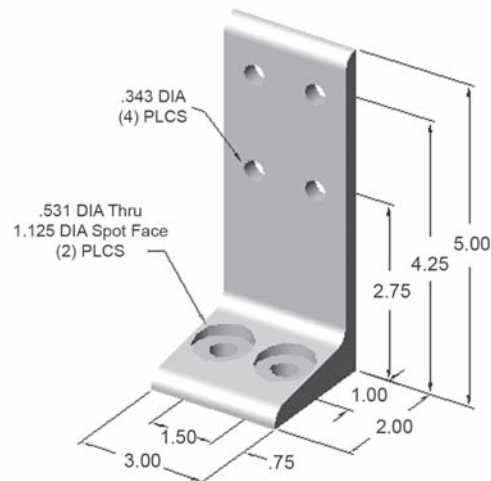
15FF5814

1.5" FLOOR MOUNT FOOT



15FF5816

3.0" FLOOR MOUNT FOOT



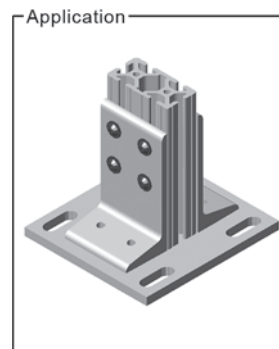
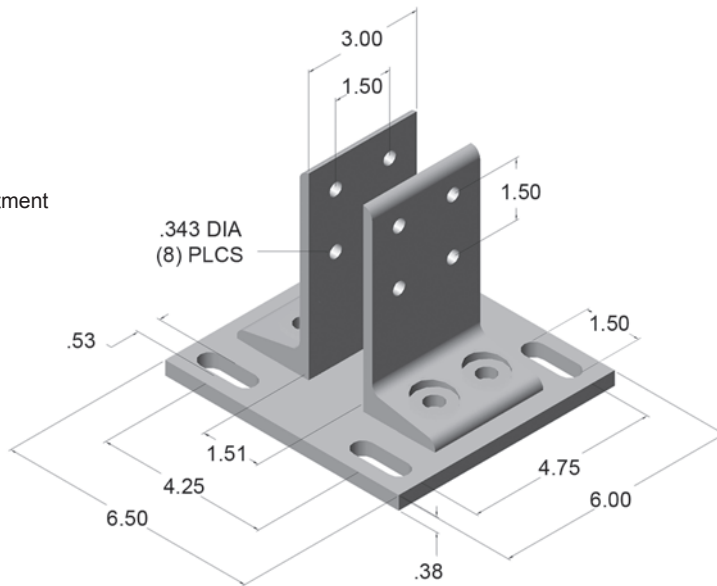
RECOMMENDED HARDWARE

DESCRIPTION	PART NO.
5/16-18 x 5/8 FBHSCS	13FA3331
5/16-18 DOUBLE T-NUT	15FA3502

15FF5830

1.5" x 3.0" DELUXE FLOOR MOUNT BASE PLATE

- Provides greater stability
- Securely mounts frame to the floor
- Base plate slots provide easy adjustment



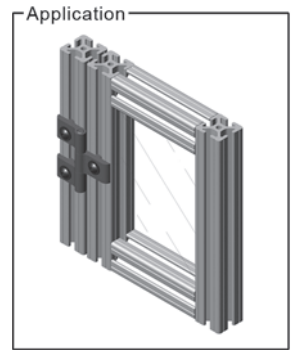
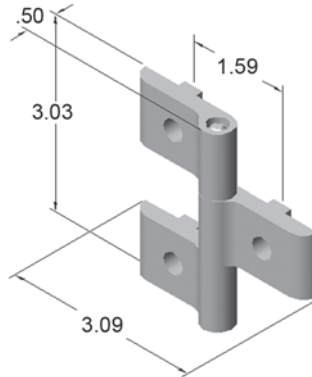
RECOMMENDED HARDWARE

QTY	DESCRIPTION	PART NO.
8	5/16-18 x 5/8 FBHSCS	13FA3331
4	5/16-18 DOUBLE T-NUT	15FA3502

15HI8755

HEAVY DUTY HINGE - ALUMINUM

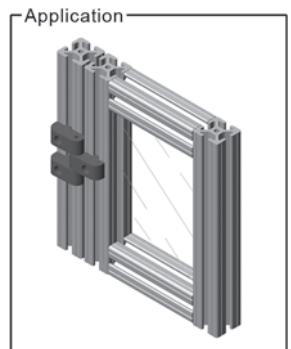
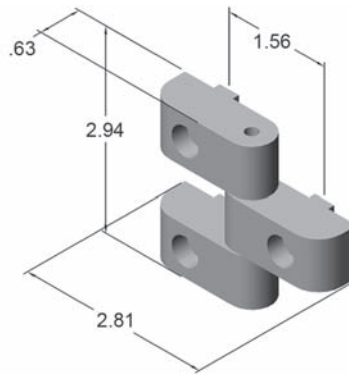
- For 15 Series extrusions
- Hardware included for mounting
- Aluminum hinge w/ clear anodize finish
- Steel pin w/ black oxide finish



15HI8704

HEAVY DUTY HINGE - PLASTIC

- Hardware included for mounting
- High strength nylon construction
- Self-lubricating bushings



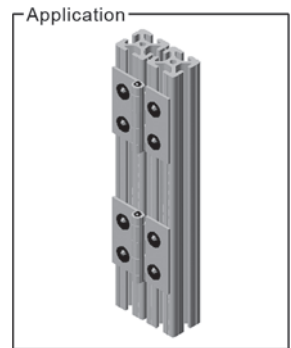
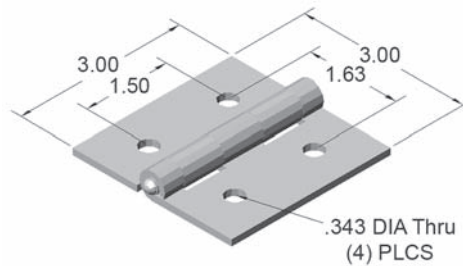
15HI8514

ALUMINUM BUTT HINGE

- 75 lb. load capacity per hinge
- Clear anodized aluminum hinge with steel pin

RECOMMENDED HARDWARE

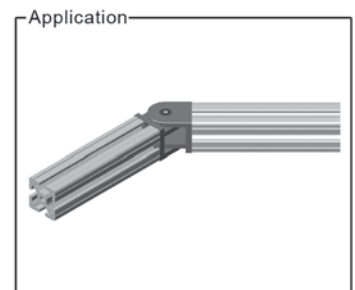
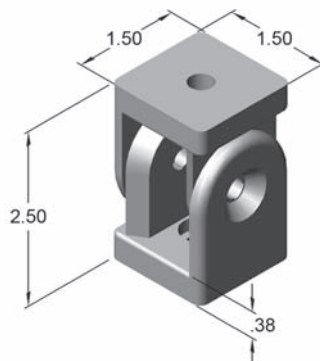
QTY	DESCRIPTION	PART NO.
4	5/16-18 x 1/2 FBHSCS	13FA3330
2	5/16-18 DOUBLE T-NUT	15FA3502



15HI8712

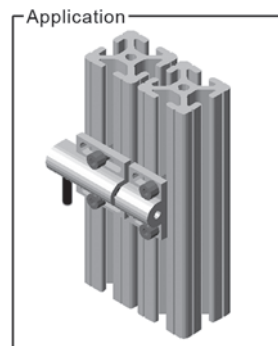
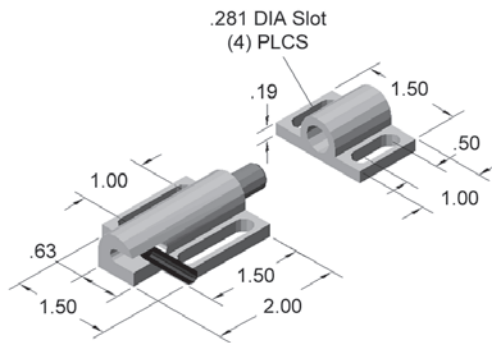
STEEL PIVOT HINGE

- Hardware included
- Heavy duty construction
- Adjustable from 0° to 180°



15AC8762

DEADBOLT LATCH - SIDE RELEASE

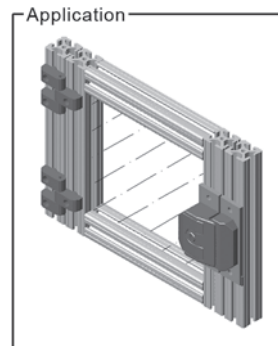
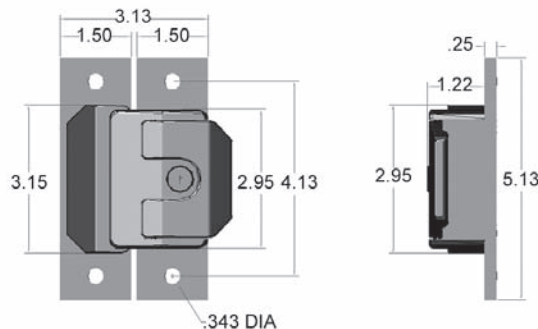


- Hardware included
- Spring loaded
- Aluminum construction

15AC7958

LOCKING SLAM LATCH - BLACK

- Black powder coated
- Die-cast zinc material
- No machining required



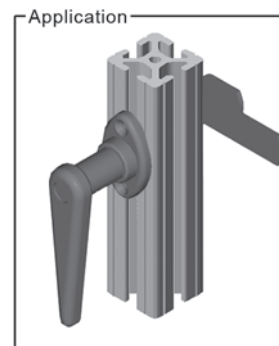
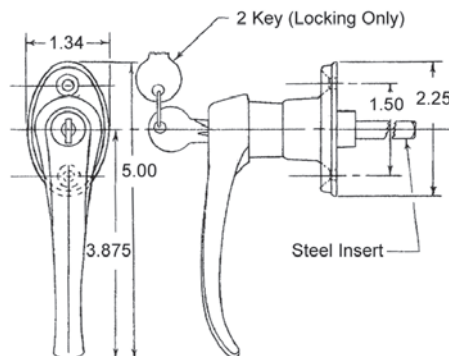
RECOMMENDED HARDWARE

QTY	DESCRIPTION	PART NO.
4	5/16-18 x 5/8 FBHSCS	13FA3331
4	5/16-18 ECONOMY T-NUT	15FA3501

15AC7950

LOCKING DOOR HANDLE - CHROME
360° ROTATION

- Hardware included
- Requires door latch machining service



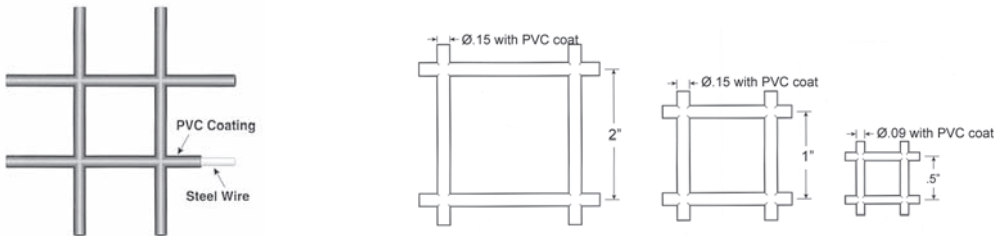
Wire Mesh Panels

- Permits air, light and sound transmission for safe monitoring of machines
- Build OSHA-compliant machine enclosures and perimeter guards quickly
- Galvanized welded steel wire core with fuse-bonded PVC coating
- Compatible with all Faztek extrusions



PVC Coated Wire Mesh

PART NO.	DESCRIPTION	WIRE	LBS/SQ. FT.
13PA8320	1" x 1" BLACK - 48" x 96"	12 ga.	1.30
13PA8326	2" x 2" BLACK - 48" x 96"	12 ga.	1.30

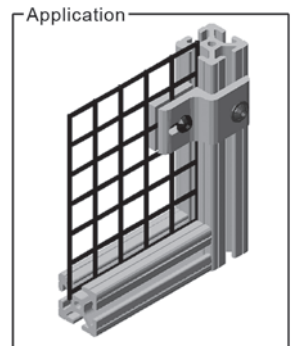


15AC7105

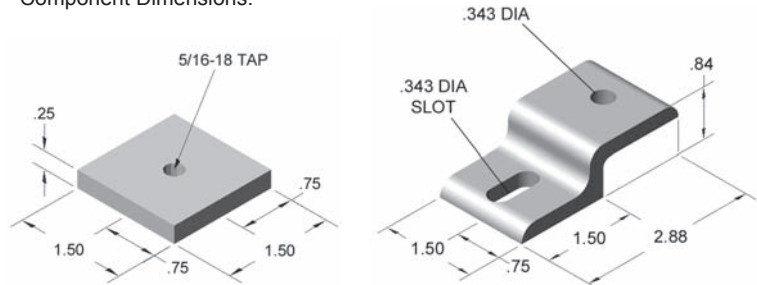
1.5" MESH RETAINER



Place mesh retainers around the perimeter of the frame every 24" to properly secure the panel.



Component Dimensions:



RECOMMENDED HARDWARE

QTY	DESCRIPTION	PART NO.
1	5/16-18 x 5/8 FBHSCS	13FA3331
1	5/16-18 ECONOMY T-NUT	15FA3501

Plastic Panels

- Use in machine guards, partitions, sounds enclosures and more
- Provides safety from moving parts and flying debris

Polycarbonate Panel

PART NO.	DESCRIPTION	LBS/SQ. FT.
13PA8309	1/4" CLEAR - 48" x 96"	1.50

ABS Panel

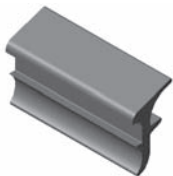
PART NO.	DESCRIPTION	LBS/SQ. FT.
13PA8313	1/4" BLACK - 96" x 48"	1.70



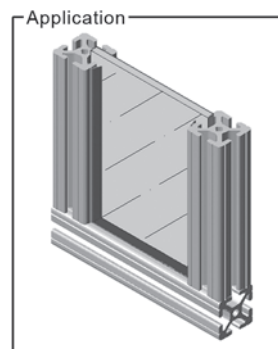
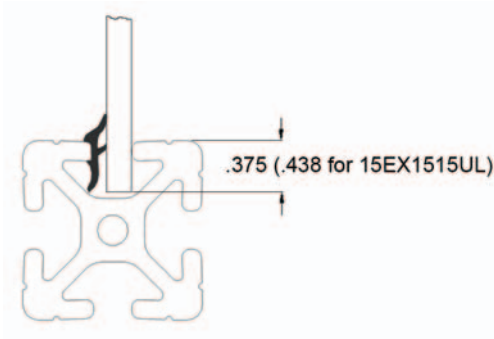
15AC8770

RUBBER PANEL GASKET

SOLD BY THE FOOT



- Holds panels tight
- Eliminates rattling
- Inserts after panel is installed
- Black silicone rubber material

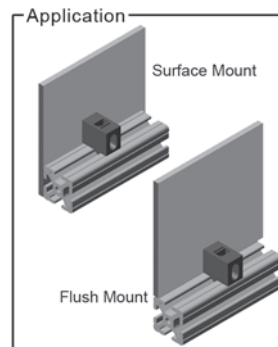
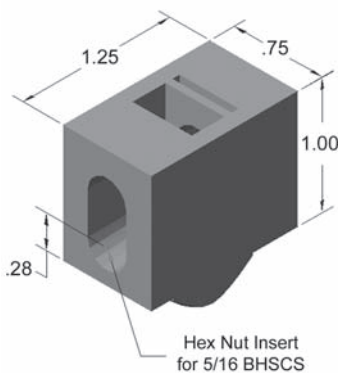


15AC8748

1/4 TURN PANEL MOUNT BLOCK
(5/16-18 HARDWARE)

15AC8702

1/4 TURN PANEL MOUNT BLOCK
(M8 X 1.25 HARDWARE)



- Bolt kit included for panel mounting
- Black high strength nylon material
- Surface or flush mount option (.25" panel)

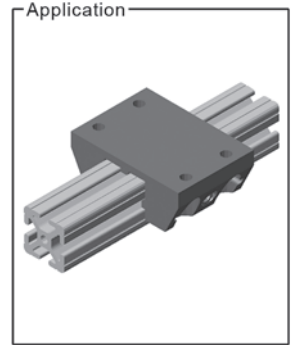
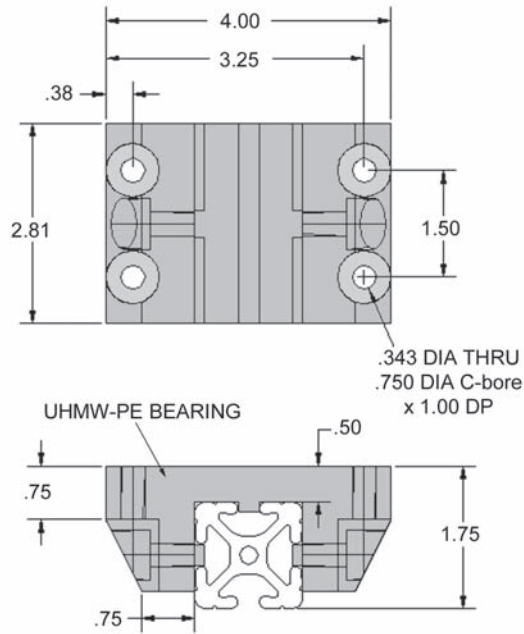
To calculate panel size, subtract 0.13" from your inside width and inside length.

15LM8560

DOUBLE FLANGE LINEAR BEARING

- For use with 1.5" wide extrusions
- Strong, solid one-piece construction
- Self-lubricating UHMW-PE material
- Low coefficient of friction

! Do not hang a load from the linear bearing.



Part weight: 0.13 lbs

RECOMMENDED HARDWARE

QTY	DESCRIPTION	PART NO.
4	5/16-18 x 1.25" SHCS	13FA3328
4	5/16 x .062" FLAT WASHER	13FA3700
4	5/16-18 ECONOMY T-NUT	15FA3501

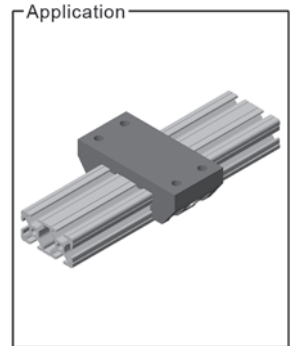
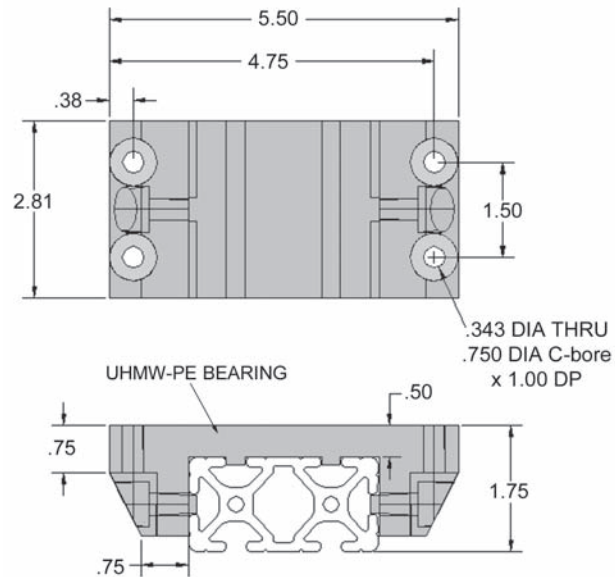
Perfect for drawer slides, machine stops, part shuttles and more.

15LM8562

DOUBLE FLANGE LINEAR BEARING

- For use with 3.0" wide extrusions
- Strong, solid one-piece construction
- Self-lubricating UHMW-PE material
- Low coefficient of friction

! Do not hang a load from the linear bearing.



Part weight: 0.25 lbs

RECOMMENDED HARDWARE

QTY	DESCRIPTION	PART NO.
4	5/16-18 x 1.25" SHCS	13FA3328
4	5/16 x .062" FLAT WASHER	13FA3700
4	5/16-18 ECONOMY T-NUT	15FA3501

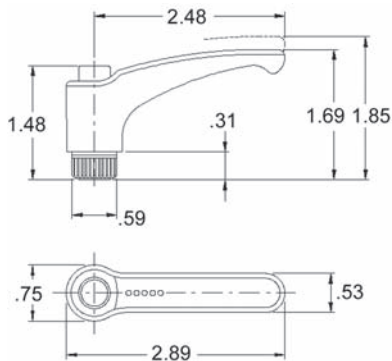
15LM8520

RATCHETING L HANDLE BRAKE KIT - PLASTIC

- Lock down linear bearings
- Ratcheting action for quick and easy adjustment

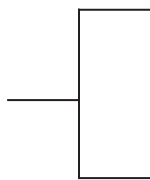
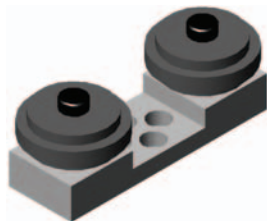


5/16-18 x 1-1/4"
Carriage Bolt Included



15LM8544

1.5" DELUXE ROLLER WHEEL BRACKET



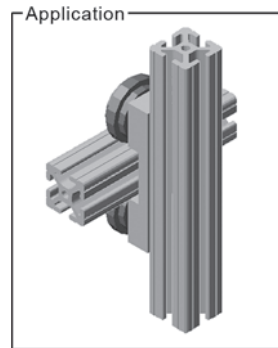
15LM8530 (1)



15LM8532 (2)

Ideal Applications:

- Sliding Doors
- Vertical Gates
- Machine Stops



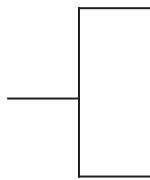
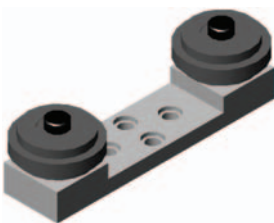
For 1.5" extrusion width

INCLUDED HARDWARE

QTY	DESCRIPTION	PART NO.
2	5/16-18 x 5/8 LHSCS	13FA3354
2	5/16-18 STANDARD T-NUT	15FA3503

15LM8546

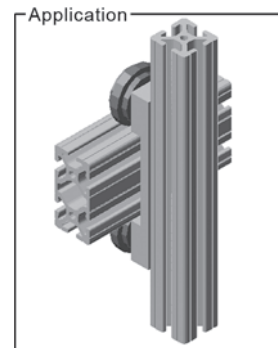
3.0" ROLLER WHEEL BRACKET



15LM8536 (1)



15LM8532 (2)



For 3.0" extrusion width

INCLUDED HARDWARE

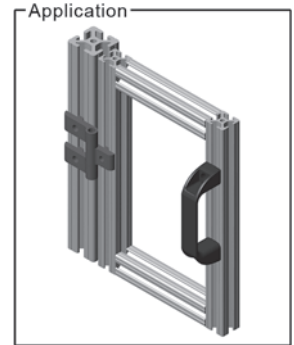
QTY	DESCRIPTION	PART NO.
2	5/16-18 x 5/8 LHSCS	13FA3354
2	5/16-18 STANDARD T-NUT	15FA3503

Door Handles

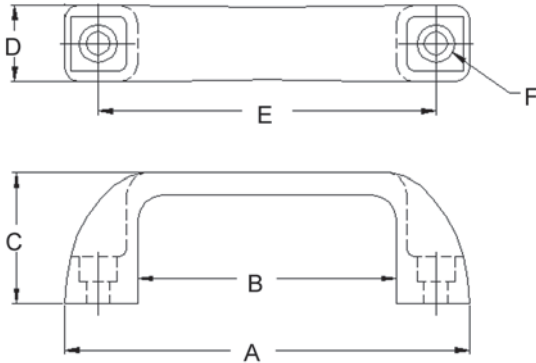
Plastic Door Handles

PART NO.	DESCRIPTION	A	B	C	D	E	F (HARDWARE)
13AC7300*	SMALL DOOR HANDLE	4.41	2.95	1.41	0.83	3.68	1/4" SHCS
13AC7301**	MEDIUM DOOR HANDLE	5.47	3.79	1.61	1.02	4.61	5/16" SHCS
13AC7302**	LARGE DOOR HANDLE	8.03	6.25	1.97	1.10	7.05	5/16" SHCS

- Black glass-fiber reinforced technopolymer
 - Bolts directly to t-slot frame or panels
 - Chemical resistant
 - Lightweight
- *10 Series only **15 Series only



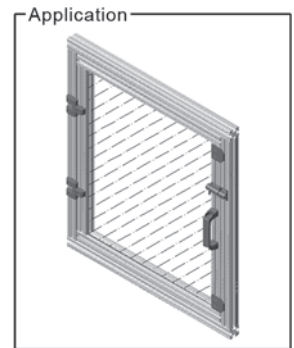
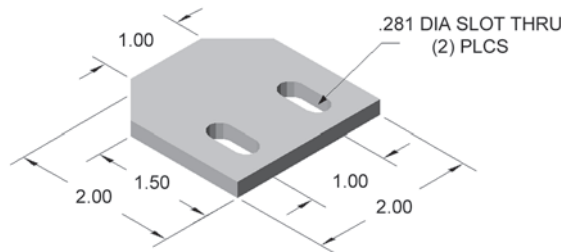
Mounting Hardware Included



13AC7800

DOOR CATCH PLATE

- Keeps door flush with frame



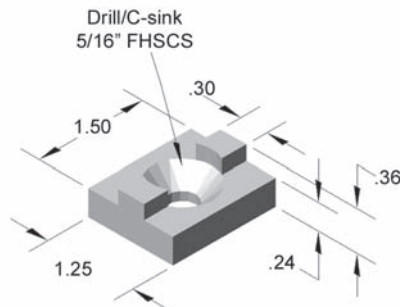
RECOMMENDED HARDWARE

QTY	DESCRIPTION	PART NO.
2	1/4-20 x 1/2 FBHSCS	13FA3309
2	1/4-20 ECONOMY T-NUT	15FA3506

15AC8850

UHMW BI-FOLD DOOR GLIDE

- Saves space
- Mounting hardware included
- Great alternative for sliding doors
- White UHMW polyethylene material



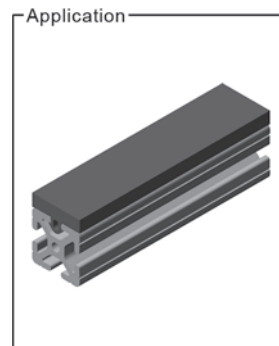
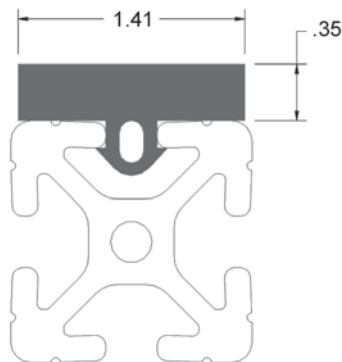
15AC8778

1.5" RUBBER PAD

SOLD BY THE FOOT



- Presses easily into t-slot
- Black EPDM rubber material
- Protects extrusion surface
- Can be used as a bumper to protect other surfaces



15AC8750

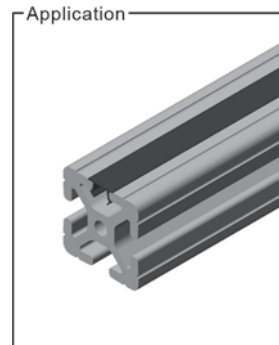
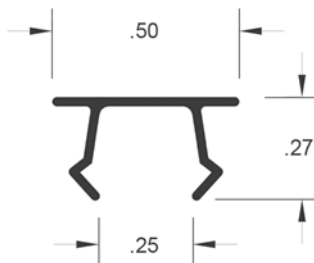
YELLOW T-SLOT COVER

15AC8751

BLACK T-SLOT COVER

STOCK LENGTH = 96.0"

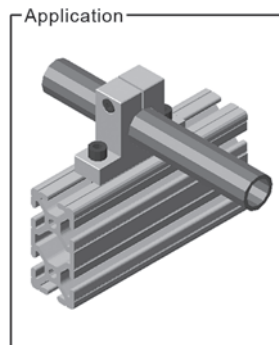
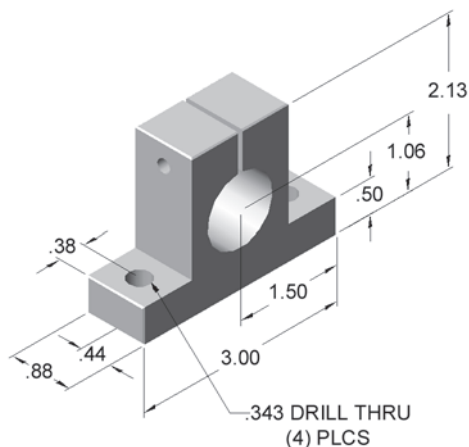
- Presses easily into t-slot
- Keeps t-slots covered and clean
- Provides a clean, finished look to any project



15AC8802

1" SINGLE HORIZONTAL BASE

- Clamping hardware included



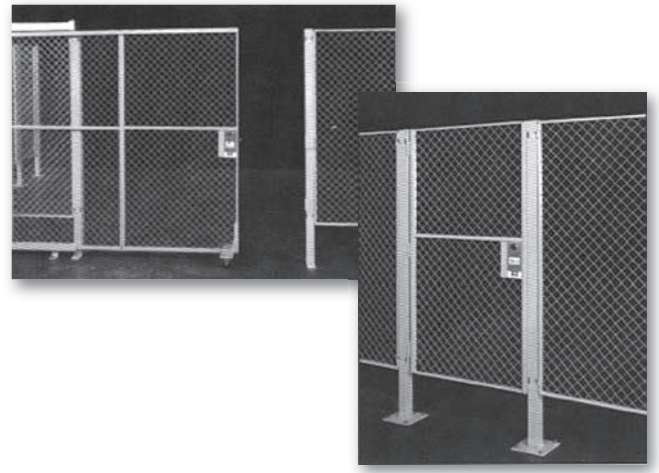
RECOMMENDED HARDWARE

QTY	DESCRIPTION	PART NO.
2	5/16-18 x 7/8 SHCS	13FA3327
2	5/16-18 ECONOMY T-NUT	15FA3501

Notes

Steel Guarding is an alternative to T-Slotted aluminum now offered by Faztek! The **EZ Guard®** system from Wireway/Husky offers an economical and functional method of guarding machinery, preventing injury and securing valuables.

- Quick and Easy Installation
- High Quality Steel Construction
- 10 Gauge Steel Woven Wire Panels
- Standard or Custom Configurations
- Optional Door Sections



Tool Crib

Applications may include:

- Machine Guards
- Perimeter Guards
- Fall Protection
- Security Gates
- Tool Cribs

EZ Guard® or T-Slotted Aluminum? Call today and speak with one of our designers to find out which is appropriate for your application and budget. No matter what your application may be, Faztek has a functional and cost-effective solution to suit your needs!



5120 Investment Drive • Fort Wayne, Indiana 46808

Toll-Free: 877.FAZTEK.4U • Phone: 260.482.7544

Fax: 260.482.7354 • Web: www.faztek.net

Additional Faztek Resources >>>

www.FrameCreator.net ::: FrameCreator™ is compatible with AutoCAD® versions 2000i-current and provides a quick and accurate method of creating projects using T-Slotted aluminum. Support and frequently asked questions also available online. Request your free copy today!

www.EconoFrames.net ::: Save time and money with EconoFrames. These pre-designed, pre-assembled guarding units satisfy basic guarding needs at a discount. Choose from various styles and sizes available for shipment today!

www.Faztek-Overstock.com ::: Browse through surplus, scratch & dent, and discontinued parts on-line. Save up to 50% on these discounted T-Slotted aluminum framing components.

FrameCreator™
T-Slotted Aluminum Extrusion Design Software

ECONOFRAMES™

Faztek *Overstock!*
Discounted T-Slotted Aluminum Framing Components

