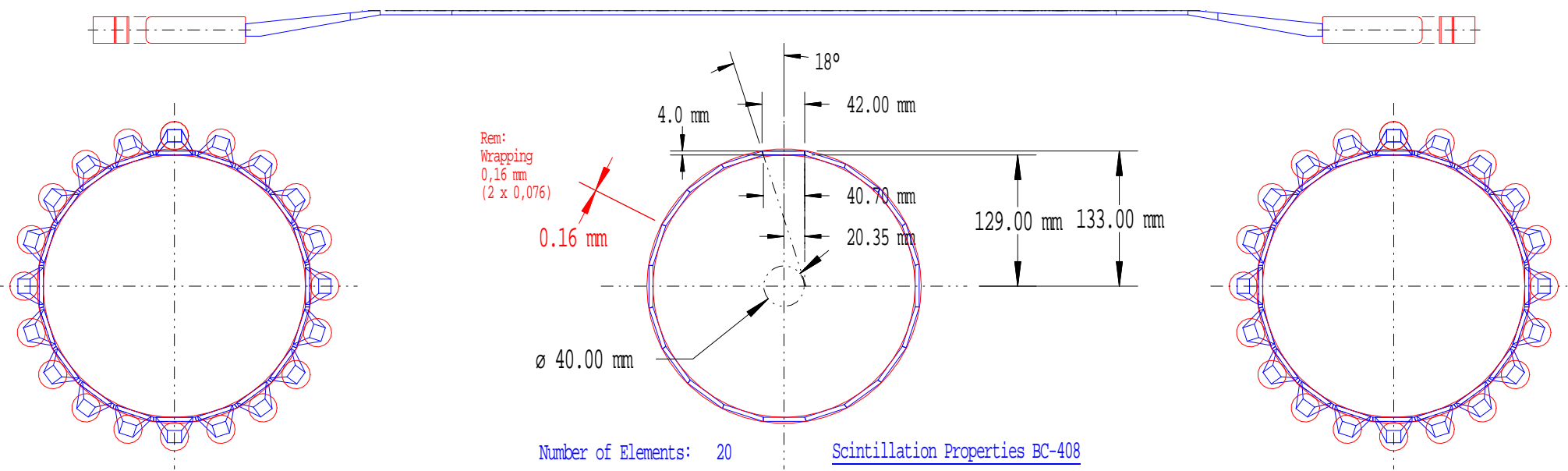
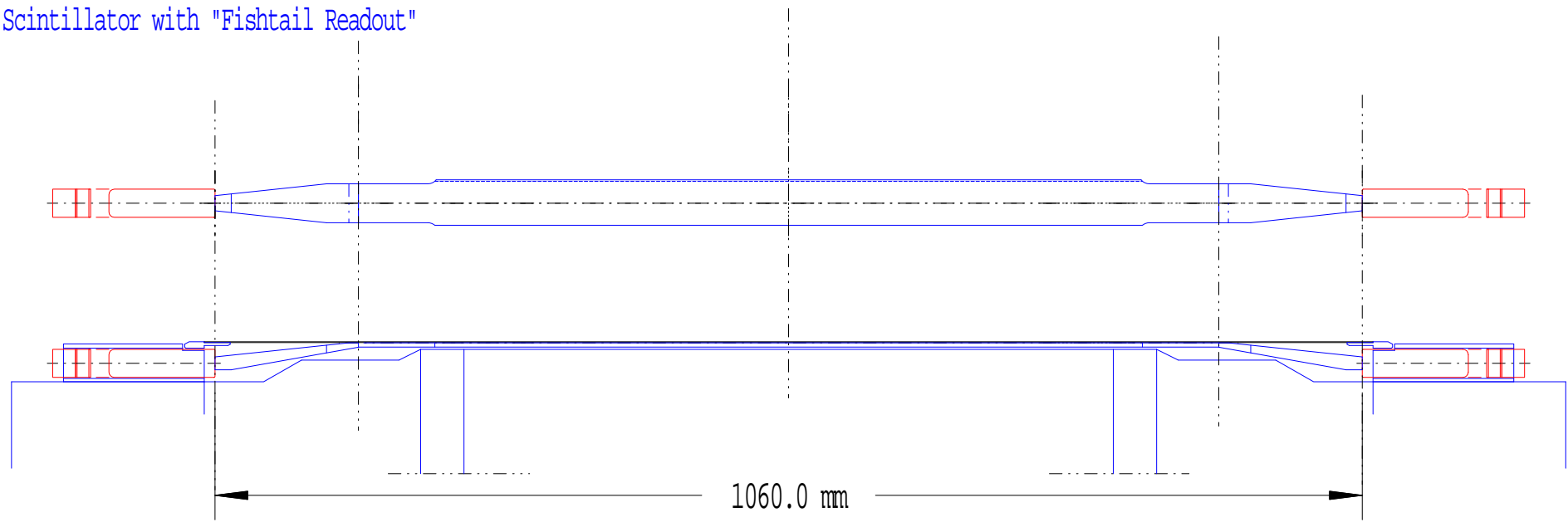


PEN Plastic Veto
 4 mm Scintillator with "Fishtail Readout"



Number of Elements: 20
 Scintillator Type: BC-408

Scintillation Properties BC-408
 Light Output, %Anthracene 64
 Rise Time, ns 0,9
 Decay Time, ns 2,1
 Pulse Width, FWHM, ns ~2,5
 Wavelength of Maximum Emission, nm 425
 Bulk Light Attenuation Length, cm 380

Allgemeintoleranz DIN 7168-f (±0.1)

POS.	ZEICH_Nr.	ANZ.	BESCHREIBUNG	MATERIAL	
			PROJEKT/TITEL		
Physik-Institut der Universität Zürich			PEN Plastic Veto 2007		
				MASSTAB:	BLATT:
Bearb.:		Datum:		FILE: plasticVetoVer9a.xxx	