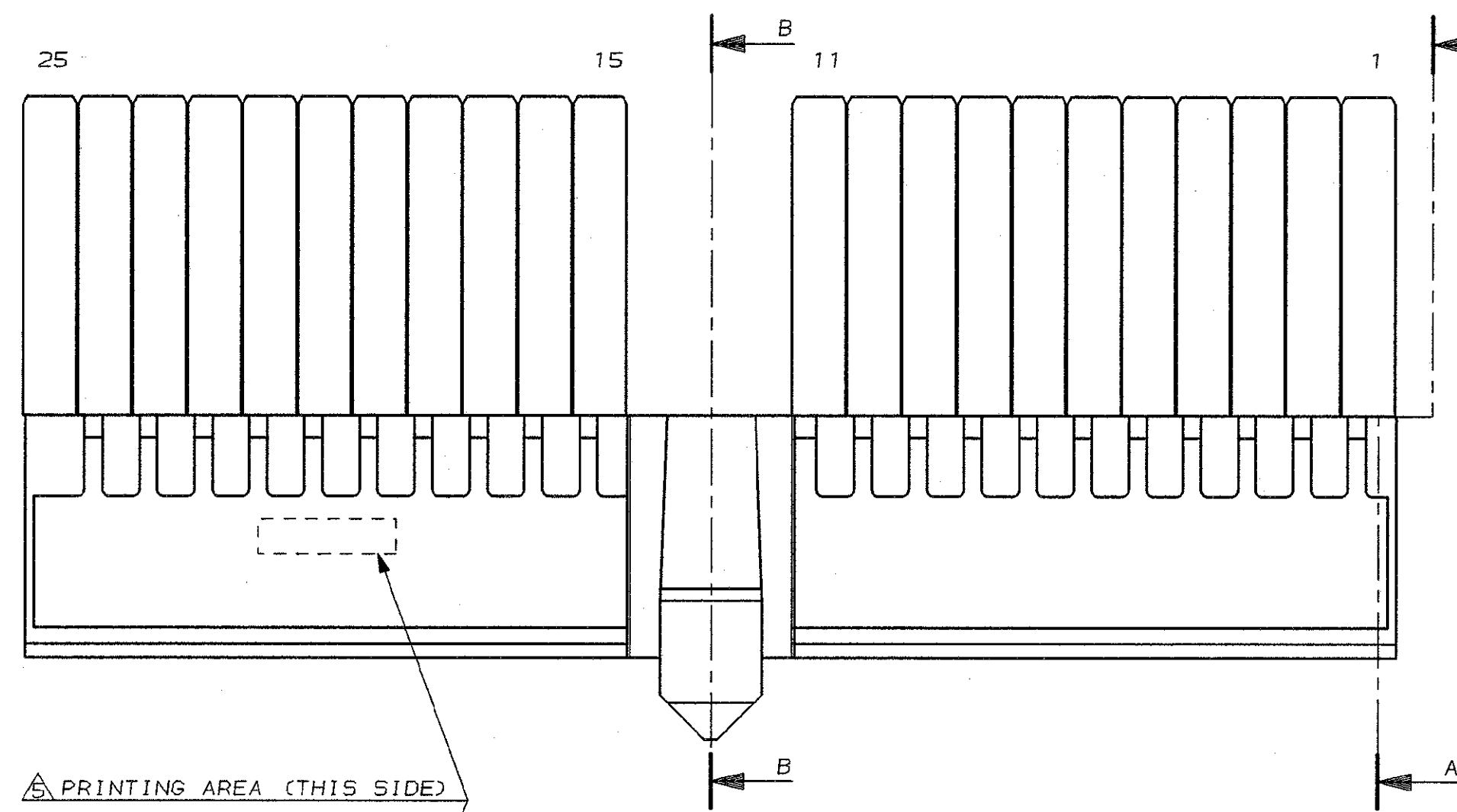


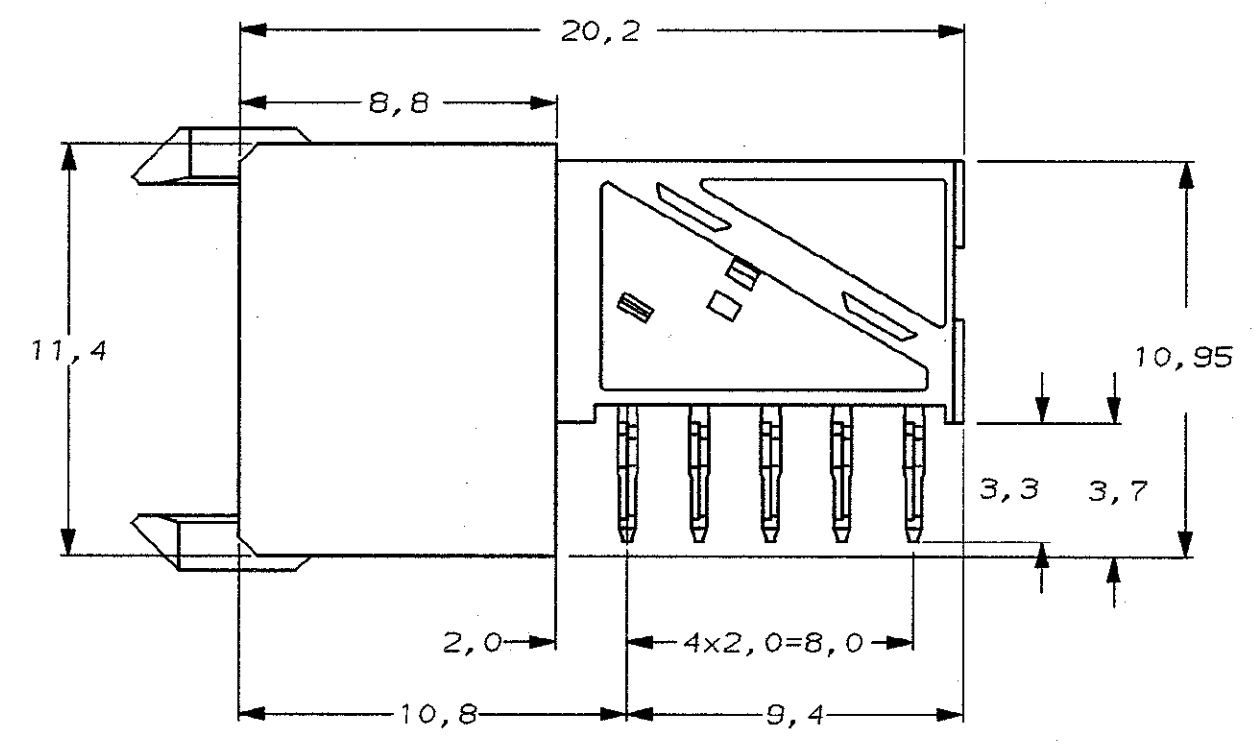
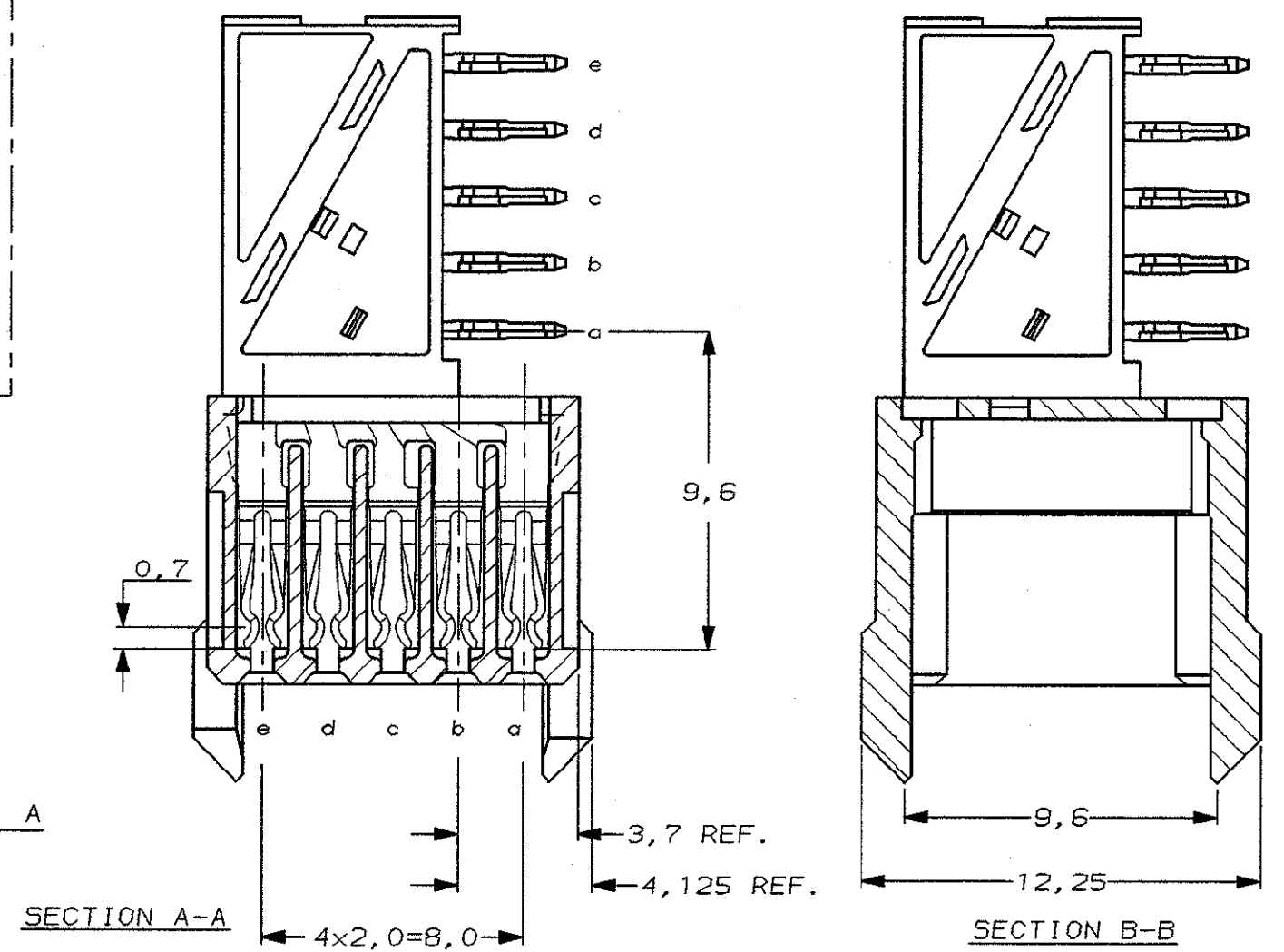
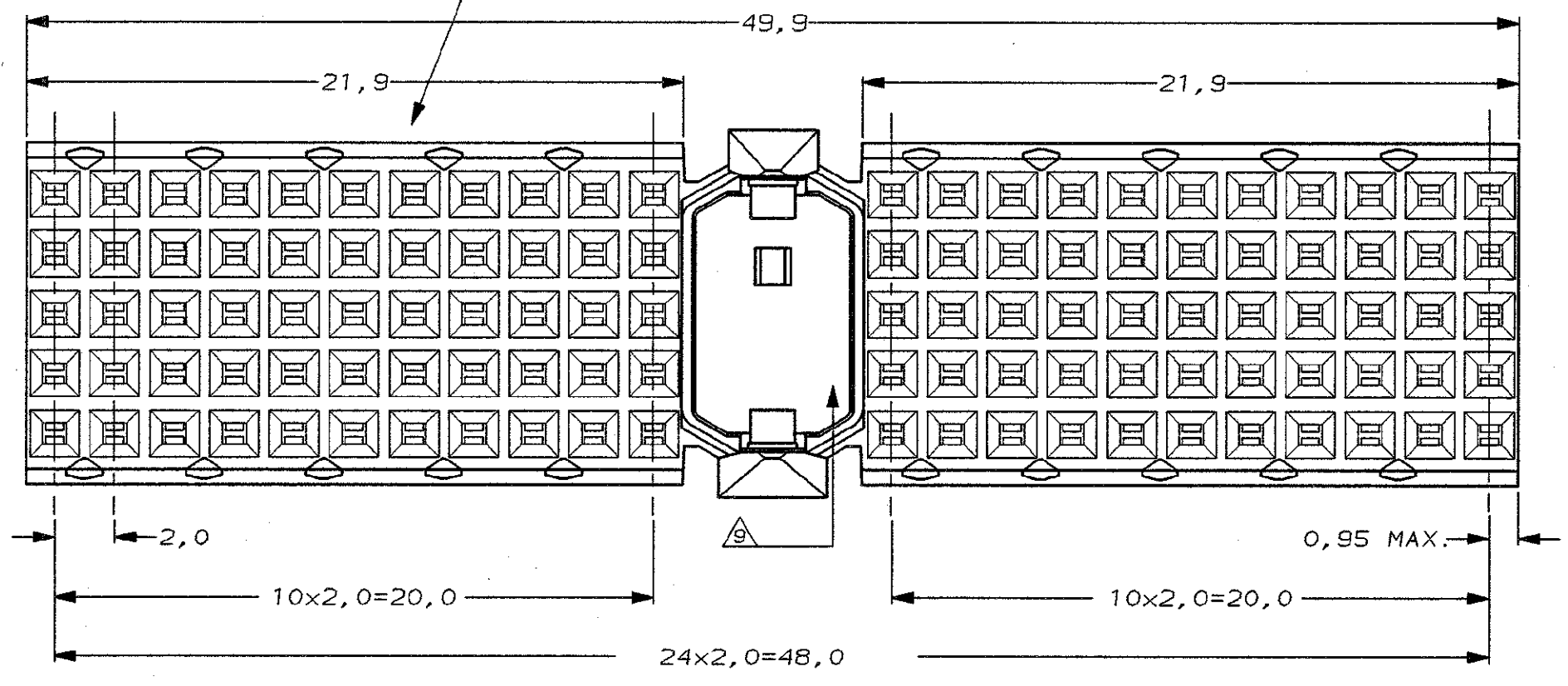
DO NOT SCALE
DIMENSIONS IN mm

METRIC

THIRD ANGLE
PROJECTION



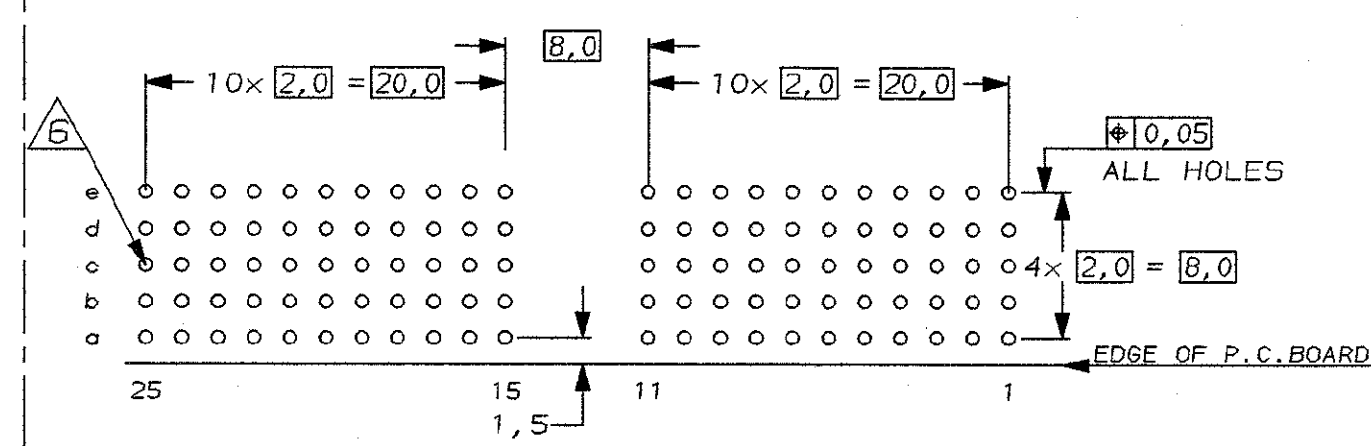
PRINTING AREA (THIS SIDE)



THIS DRAWING IS
PRELIMINARY

NOTES:

- △ PLATING CONTACT AREA: 0,8µm Au MIN. OVER 1,3µm Ni MIN.
ACTION PIN, 0,5µm SnPb MIN. OVER 1,3µm Ni MIN.
- △ PLATING CONTACT AREA: 2,0µm Au MIN. OVER 1,3µm Ni MIN.
ACTION PIN, 0,5µm SnPb MIN. OVER 1,3µm Ni MIN.
- △ PLATING CONTACT AREA: 1,3µm Au MIN. OVER 1,3µm Ni MIN.
ACTION PIN, 0,5µm SnPb MIN. OVER 1,3µm Ni MIN.
- △ MATERIAL CONTACT, PHOSPHORBRONZE
- △ MATERIAL HOUSING, GLASSFILLED POLYESTER (GRAY) UL-RATING 49V0
- △ CONNECTOR PRINTED WITH PARTNUMBER AND DATECODE
- △ PLATED-THROUGH HOLES AT 2x2mm SQUARE GRID. 110 HOLES
- △ CONNECTOR LUBRICATED WITH BELLCORE APPROVED LUBRICANT.
- △ TECHNICAL REFERENCE: TR-NWT-001217 ISSUE 1, SEPT. 1992.
- △ CONNECTOR TESTED AND QUALIFIED AGAINST BELLCORE QUALITY LEVEL III, CENTRAL OFFICE APPLICATIONS.
- 8 FITS WITH INTEGRATED GROUND RETURN UPERSHIELD, BASIC P.N. 338107 AND INTEGRATED GROUND RETURN LOWERSHIELD, BASIC P.N. 338108
- △ AREA RESERVED FOR CODING KEY, BASIC P.N. 100526



SCALE 2,5:1
COMPONENT SIDE AS SHOWN
RECOMMENDED PCB-HOLE LAY-OUT

P.C.B. HOLE DIM. ACTION PIN	
DRILLED HOLE:	0,7±0,025mm
FIN. HOLE	: 0,55 TO 0,65mm
Cu-thks	: 0,025 TO 0,050mm
SnPb-thks	: 0,004 TO 0,010mm

FINISH	MATERIAL	PARTNUMBER
△△	△	1-100147-9
△△	△	100147-9
△	△	100147-4
△	△	100147-3
△	△	100147-1

LTR.	REVISION RECORD	DR.	CHK.	DATE
H	EH-0436-97	LvdH	WvdH	6 MAY '97
G	EH-0816-96	DT	WvdH	20-01-97

CUSTOMER DRAWING FOR REFERENCE ONLY WILL NOT BE UPDATED

© COPYRIGHT 1996 BY AMP-HOLLAND B.V.
ALL INTERNATIONAL RIGHTS RESERVED. AMP PRODUCTS MAY BE COVERED BY U.S. AND FOREIGN AND/OR PATENTS PENDING.
THIS DRAWING IS UNPUBLISHED
RELEASED FOR PUBLICATION

AMP AMP-HOLLAND B.V.
s-Hertogenbosch, The Netherlands.

Z-PACK 2mm HM TYPE A
110 POS. FEMALE CONNECTOR

DR. D. TRUEN CHK. W vd HEIJDEN APP. F.V. KONINGSBRUGGE DNG. No. C-100147 REV. LTR. H SHEET 1 OF 1 A2