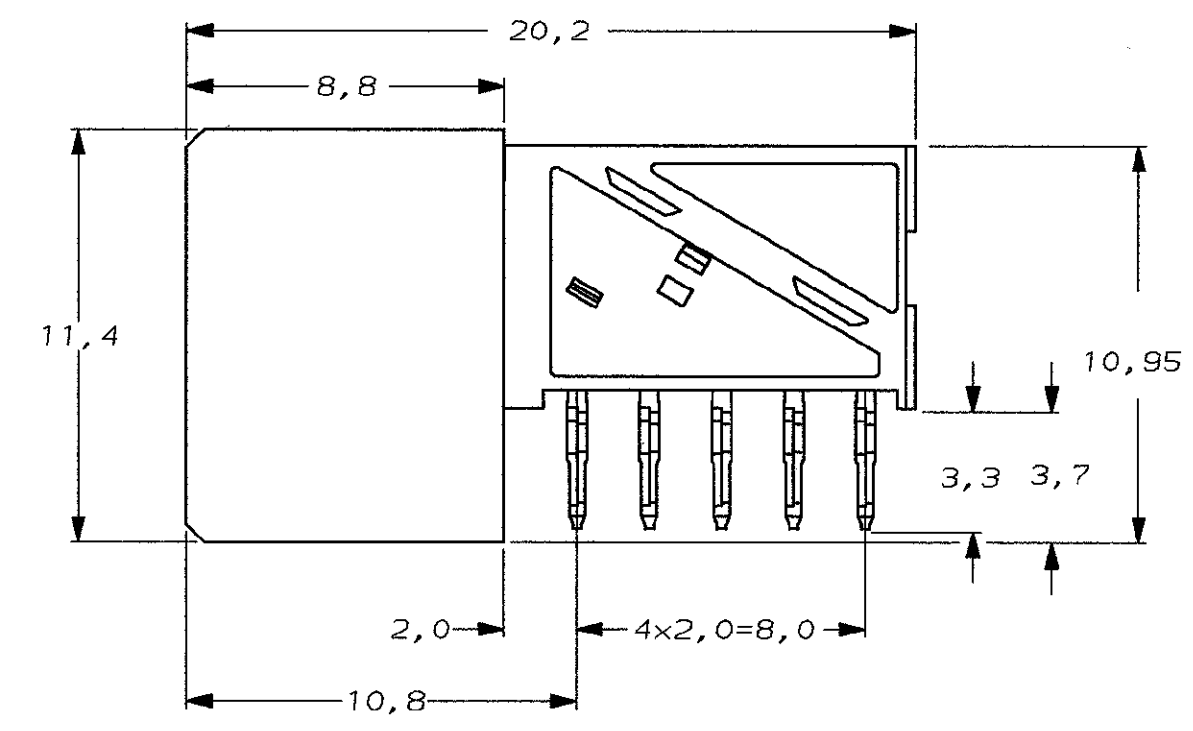
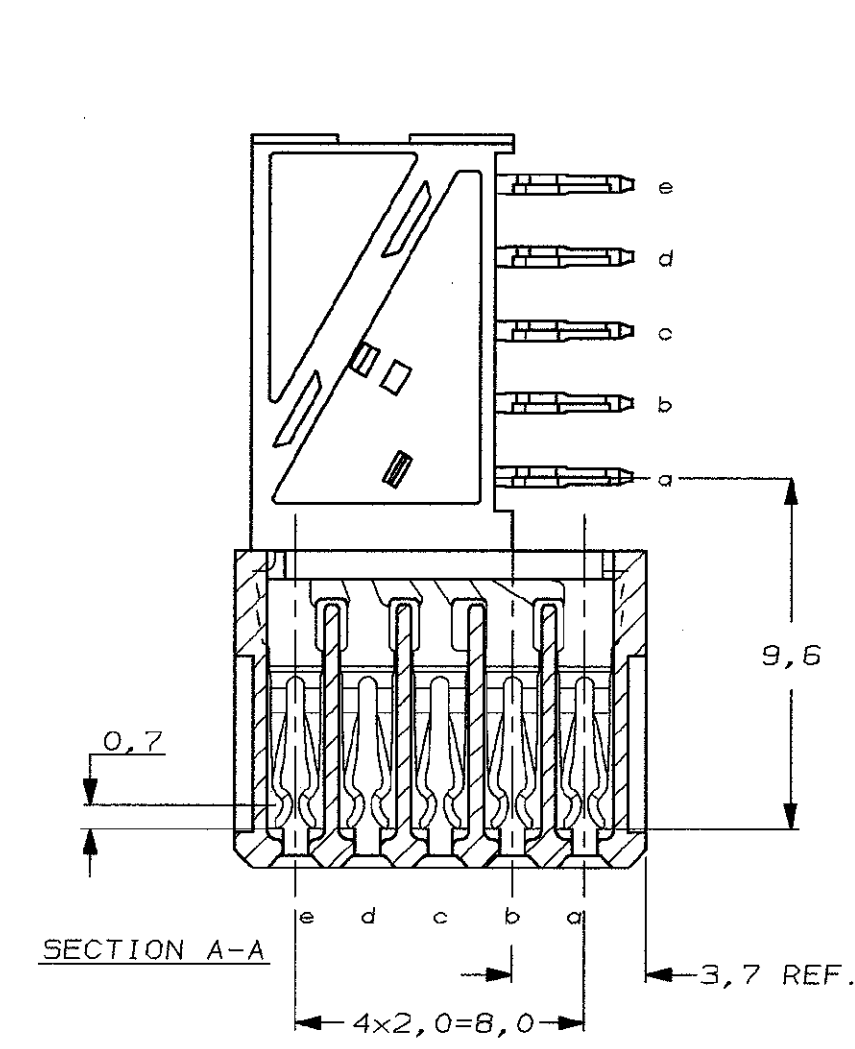
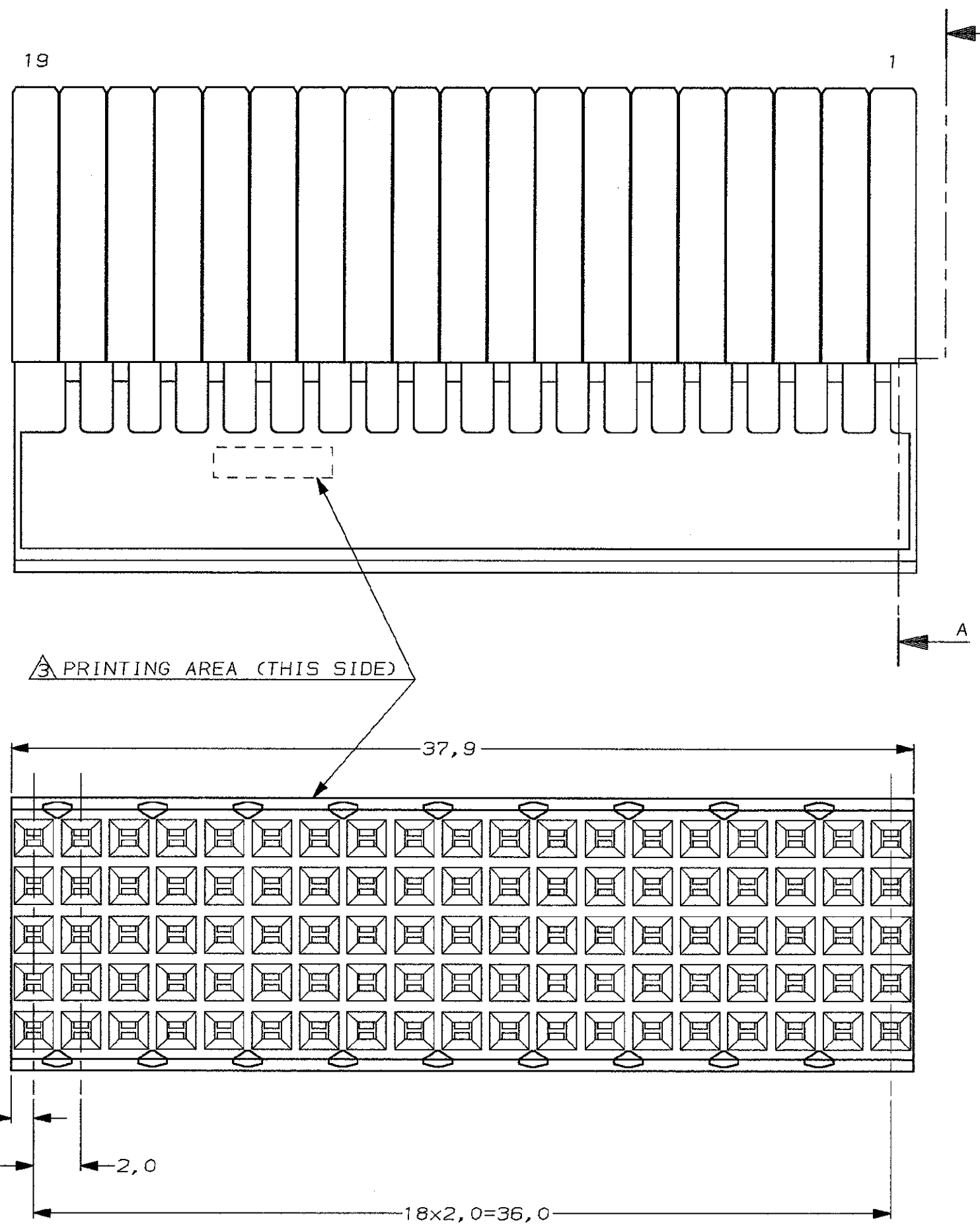


DO NOT SCALE
DIMENSIONS IN mm

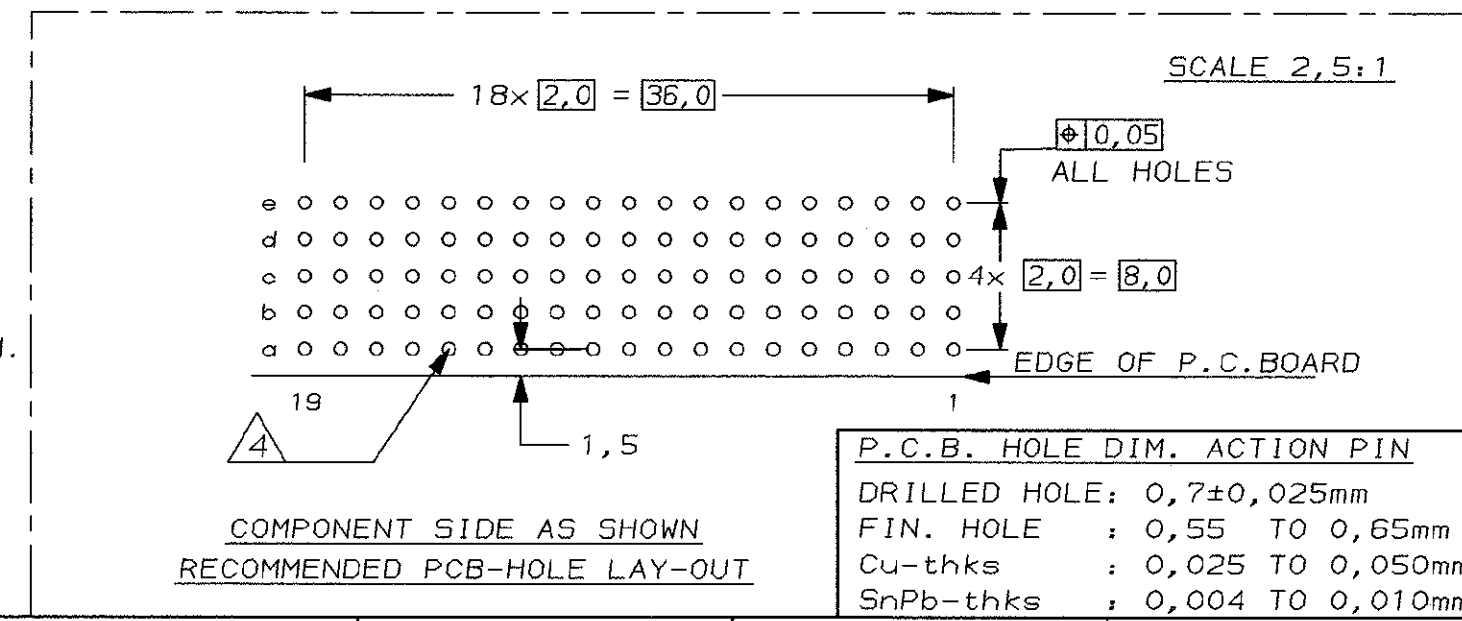
METRIC

THIRD ANGLE
PROJECTION



NOTES:

- 1 PLATING CONTACT AREA: 0,8µm Au MIN. OVER 1,3µm Ni MIN.
ACTION PIN, 0,5µm SnPb MIN. OVER 1,3µm Ni MIN.
- 2 MATERIAL CONTACT; PHOSPHORBRONZE
MATERIAL HOUSING,
GLASSFILLED POLYESTER UL-RATING 94V0 (GRAY)
- 3 CONNECTOR PRINTED WITH PARTNUMBER AND DATECODE
- 4 PLATED-THROUGH HOLES AT 2x2mm SQUARE GRID. 95 HOLES
- 5 FITS WITH INTEGRATED GROUND RETURN UPPERSHIELD,
BASIC P.N. 352028
AND INTEGRATED GROUND RETURN LOWERSHIELD,
BASIC P.N. 352029
- 6 PLATING CONTACT AREA: 1,3µm Au MIN. OVER 1,3µm Ni MIN.
ACTION PIN, 0,5µm SnPb MIN. OVER 1,3µm Ni MIN.



FINISH		MATERIAL		PARTNUMBER
1		2		352009-4
3		4		352009-1
CUSTOMER DRAWING FOR REFERENCE ONLY WILL NOT BE UPDATED				
© COPYRIGHT 1996 BY AMP-HOLLAND B.V. ALL INTERNATIONAL RIGHTS RESERVED. AMP PRODUCTS MAY BE COVERED BY U.S. AND FOREIGN AND/OR PATENTS PENDING. THIS DRAWING IS UNPUBLISHED. RELEASED FOR PUBLICATION.				
C	EH-0772-97	LvdH	M. Sp	15 JUL '97
B	EH-0196-96	EM	WvdH	28-JAN-97
A	EH-0196-96	DT	WvdH	05-DEC-96
0	EH-0196-96	DT	WvdH	06-FEB-96
LTR. REVISION RECORD		DR. CHK. DATE		
DR.: E. NÖHLHANN		CHK.: H. HEIJDEN		APP.: F.V. KONINGSBRUGGE
DATE: 20-01-97		DATE: 20-01-97		DATE: 12-97
DWG. No. C-352009				REV. LTR. SHEET 1 OF 1