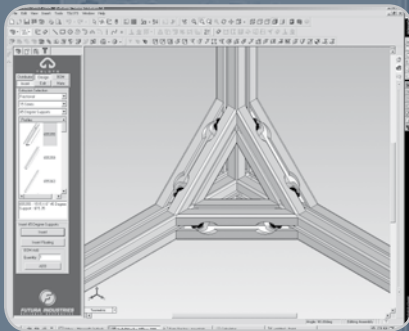
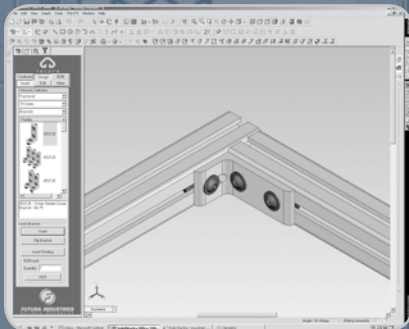
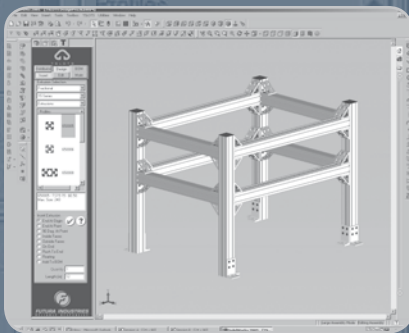


TSLOTS DesignPro™ Add-in for SolidWorks®



Save Time and Money with TSLOTS DesignPro™

The TSLOTS DesignPro™ is a design tool ADD - IN for SolidWorks® 2003, 2004, 2005 and 2006.

- Reduces Modular Framing Design Time by Over 50%
- Creates Automatic Bill of Material
- Provides Real-Time Pricing
- Provides Online Services
- RFQ / Ordering
- Project Status

TSLOTS Deflection Calculator/Beam Selector

Performs the following functions:

- Selects Beam by Allowable Stress
- Selects Beam by Allowable Deflection
- Calculates One Unknown Based on a Selected Beam
- 2D and 3D CAD Drawings

In addition to the SolidWorks® part and assembly files, the CD includes:

- 2D .dwg, .dxf
- 3D .step, .iges, .sat

TSLOTS Catalog and Price List

The TSLOTS Catalog and Price List are viewable in .pdf format.
A link to the Adobe website is available on the CD.

CALL OR GO ONLINE NOW TO REQUEST YOUR NEW CD-ROM

Phone: 800.824.2049 | www.tslots.com



Table of Contents

Introduction	iv		
How To Order	v		
TSLOTS Ideas	vi		
01 Technical Data	01:00		
TSLOTS Extrusion Advantages	01:02		
Extrusion Specifications	01:02		
Spring Lock Feature	01:02		
Fastener Torque Specifications	01:02		
T-Slot Radius	01:03		
Aluminum Alloy	01:03		
Anodizing	01:03		
Deflection Calculations	01:04		
TSLOTS DesignPro Introduction	01:05		
02 Structural Extrusions	02:00		
10 Series	02:02		
15 Series	02:08		
03 TSLOTS Brackets	03:00		
10 S Corner Brackets	03:02		
10 S Joining Plates	03:10		
15 S Corner Brackets	03:17		
15 S Joining Plates	03:25		
Transition Brackets	03:36		
04 Fasteners	04:00		
Fastener Application Test	04:02		
Economy T-nuts	04:03		
Standard T-nuts	04:04		
Drop In T-nuts	04:04		
Z-Nuts	04:06		
Economy Tslot Studs	04:06		
Butt Fasteners	04:06		
Anchor Fasteners	04:07		
End Fasteners	04:08		
Single Tab End Fastener	04:09		
Screws	04:10		
05 Dynamic & Structural Hinges	05:00		
Dynamic Hinges - 10 Series	05:02		
Dynamic Hinges - 15 Series	05:02		
Pivot Bracket - 90°	05:07		
Structural Hinges - 10 Series	05:08		
Structural Hinges - 15 Series	05:12		
Nylon Pivot Hinge - 15 Series	05:16		
06 TSLOTS Hardware	06:00		
Hinges	06:03		
Handles	06:05		
Door Catches	06:07		
Roller Wheels	06:10		
Wheel Brackets	06:11		
Door Slide Track	06:12		
Panel Stiffener	06:12		
Panel Gasket	06:13		
Panel Mount Block	06:14		
Panel Mount Bracket	06:15		
Panel Retainer	06:16		
Mesh Panel Retainer	06:18		
Plastic Panels	06:20		
PVC Coated Wire Mesh	06:21		
Area Calculator Matrix	06:22		
Slatwall Panels	06:23		
45° Supports	06:24		
End Caps And Covers	06:25		
Cart Guard	06:26		
Table Tops	06:27		
Tools Hangers & Clamp	06:27		
Manifold Plates - 10 Series	06:29		
Manifold Plates - 15 Series	06:30		
Casters	06:31		
Caster Base Plate	06:36		
Glides, Mounts And Feet	06:39		
Base Plates - 10 Series	06:43		
Base Plates - 15 Series	06:44		
Base Plate - Floor Mount	06:45		
07 Stanchions	07:00		
Single Shaft Base	07:02		
Double Shaft Base	07:02		
Single Shaft Plates	07:03		
Cross Clamp	07:04		
Single Shaft Mounting Block	07:04		
Single Horizontal Base	07:05		
Double Horizontal Base	07:05		
Quick Clamp	07:06		
08 Linear Motion	08:00		
Bearings - 10 Series	08:02		
Bearings - 15 Series	08:05		
Economy Bearings - 10 Series	08:08		
Economy Bearings - 15 Series	08:11		
Brake Handle	08:14		
Roller Wheels	08:14		
Roller Wheel Bracket and Assemblies	08:15		
Machining Services	08:16		
Linear Bearing Replacement Pads	08:17		
09 Tools	09:00		
Allen Wrench Sets	09:02		
Cutters, Bits & Jigs	09:04		
Taps	09:04		
10 Extrusion Profiles	10:00		
Flat Stock	10:02		
Tubes	10:03		

Angles	10:04
Gusset Profile & Nub	10:04
Right Angle Nub Profile	10:05
Panel Mount Profile	10:05
Single Flange Bearing Profiles	10:06
Double Bearing Bearing Profile	10:06
Retainer Angles	10:07
Door Side Tracks	10:07
11 Machining Services	11:00
Slot Locations	11:02
Ordering Notes	11:03
Order Example	11:04
Cut To Length	11:05
Tap	11:06
Access Hole	11:07
Counterbore Anchor / Butt Fastening Assembly	11:08
Miter Saw Cuts & Counterbore	11:09
Panels And Wire Mesh Cut	11:10
Notch Services	11:11
Door Handle Milling	11:12
Edge Radius for Panels	11:12
12 Metric	12:00
25 Series Extrusions	12:02
40 Series Extrusions	12:04
25 Series Corner Brackets	12:06
25 Series Joining Plates	12:15
40 Series Corner Brackets	12:21
40 Series Joining Plates	12:24
Economy T-Nuts	12:27
Standard T-Nuts	12:28
Drop In T-Nuts	12:29
Z-Nuts	12:30
Butt Fasteners	12:31
Anchor Fasteners	12:31
End Fasteners	12:32
Screws	12:34
Casters	12:35
Leveling Feet	12:36
Base Plates	12:38
End Caps / Covers	12:42
Other 25 S & 40 S Compatible Hardware	See Section 06
Machining Services	See Section 11
13 Index	13:00
Numeric	13:02

Appendix

INTRODUCTION

Thank you for ordering the NEW TSLOTS catalog. The TSLOTS catalog has been enhanced to include new profiles, accessories, TSLOTS brackets and many other parts designed to complete your project. TSLOTS is a product offering of Futura Industries, an aluminum extrusion company that provides stock and custom extrusions. If your project calls for a custom extrusion, we can provide it for you too!

The concept behind the T-Slotted aluminum extrusion is to make assembly of structures faster and easier than using welded steel. That's because the main component of the system is the TSLOTS design: insert a T-Nut and fastener into a T-Slot and tighten. It's that simple. No welding or grinding required. All you need to tighten your TSLOTS design is a few simple hand tools.

When you are done, you have a durable, strong, lightweight structure that's functional and attractive. The high-strength extruded aluminum profiles have a clear anodize surface that is scratch and corrosion resistant. Your structure never needs painting and is maintenance free.

PRODUCT WARRANTY

All Futura Industries (TSLOTS) products are guaranteed to be free of actual defect in material and workmanship for (1) full year from the date product was shipped from the factory. This warranty is limited to replacing or repairing, at Futura's option, F.O.B. Futura Industries, any part which, upon Futura inspection, is found to have a defect in material and/or workmanship. Futura in no event shall be liable for indirect or consequential damages arising out of the use of Futura products. Components purchased by Futura for inclusion by Futura shall be warranted only to the extent set out above and/or to the guarantee or warranty, if any, made by the supplier of said component.

No warranty is made by Futura, express or implied, that Futura products as used in a customer's design and specifications are fit for that customer's specific purpose. Apart from the above express warranty, there are no warranties, express, implied or statutory, including, without limitation, warranties of merchantability and fitness for a particular purpose, which extend beyond the description on the face hereof.

All product is shipped via best carrier, unless customer specified, F.O.B. Clearfield, Utah.

» *Returned unused product will be subject to a 20% restocking fee.*

HOW TO CONTACT US

Bldg H-11 Freeport Center
P.O. Box 160350
Clearfield, Utah 84016-0350

801.773.6282 Direct
800.824.2049 Toll Free
877.777.5753 Toll Free Fax

saleseng@tslots.com Email

MINIMUM ORDERS

We don't believe in minimums. If you need it, we'll ship to you. We appreciate all of your business, even the small stuff.

HOW TO ORDER

The fastest way for your order to be processed is to follow the format below.

ALWAYS INCLUDE:

- Ship to address (no P.O. Boxes)
- Shipping method
- Purchase order number

WHEN ORDERING, IT IS BEST TO LIST YOUR ORDER IN PRODUCT GROUPS

1. Extrusions (TSLOTS and Structural)
2. Custom Machining (As quoted by Futura Industries)
3. Panels (Plastic, Wire, Alupalite, etc.)
4. Machining Services (Cutting, Tapping, Access Holes, etc. for all aluminum and panels)
5. Hardware (Fasteners, Joining Plates, TSLOTS Brackets, Hinges, Hardware, Accessories, Linear Motion, Stanchions)
6. Special Instructions

	ITEM # (Descripton)	QTY	LENGTH	MACHING SERVICE NUMBER
Extrusions	650000 TS 1010	4	22"	660035 Side A and B
	650005 TS 1515	8	45.25"	660028 Side A and B
	650008 TS 1530	2	240"	
	650010 TS 1545	4	15"	660020 in Side A1, A2, A3 B1, B2, B3
Custom Machining	Cust #	4		Custom 45° Angle per drawing
Panels	655432	2	4 sq. ft.	1/4" Clear Polycarb 24" x 24" w/ 4 660097 see drawing
Machining	660002	4		CTL TS 1010
	660003	8		CTL TS 1515
	660007	4		CTL TS 1545
	660035	8		1/4 -20 Tap for TS 1010
	660028	16		15 S. Access Hole .295 thru
	660020	24		15 S Anchor Fastener C'bore
	660062	2		Cut Plastic Panel < 48"
Hardware	660097	4		Notch Panel for End Fastener Clear per drawing
	651161	80		15 S End Fastener w/ screw 5/16-18
	655000	8		TS 1010 End Cap
	655105	10		15 S Black T-Slot Cover
	651138	30		15 S Double End Fastener w/Screw 5/16-18
	Special Instructions:			

SUBMIT YOUR ORDER 3 WAYS

TOLL FREE
800.824.2049

TOLL FREE FAX
877.777.5753

EMAIL
saleseng@tslots.com

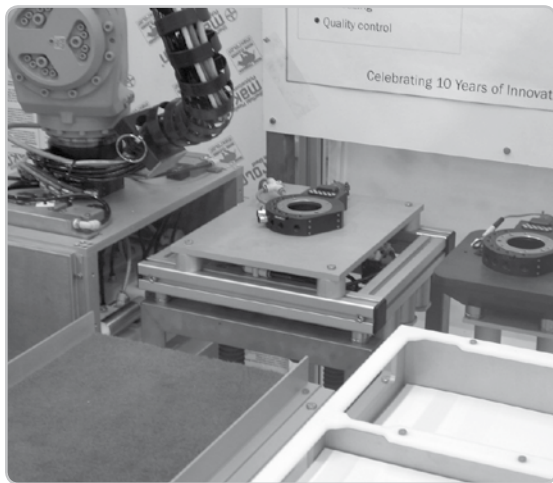
TSLOTS Ideas



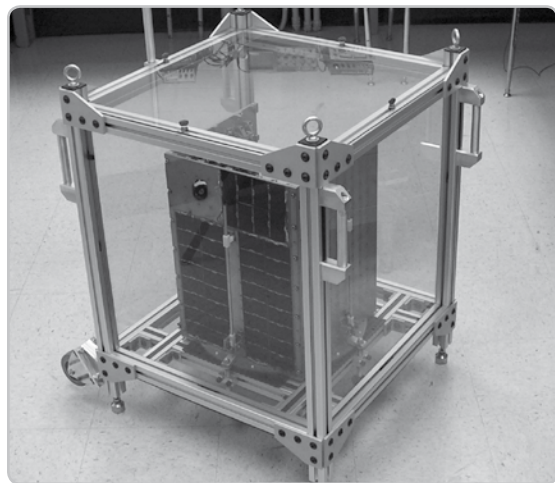
clean rooms



work carts



fixturing



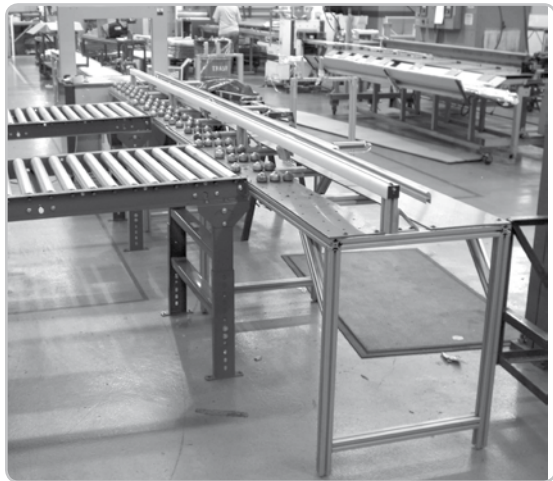
safety enclosure



inventory management



work table

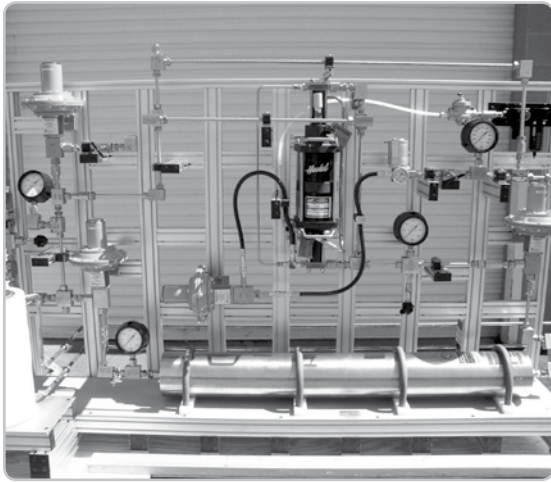


packaging



machine enclosures

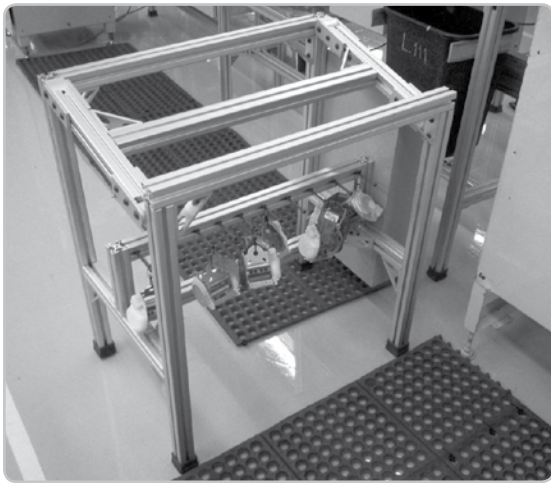
TSLOTS Ideas



test hydraulics frames



test fixture



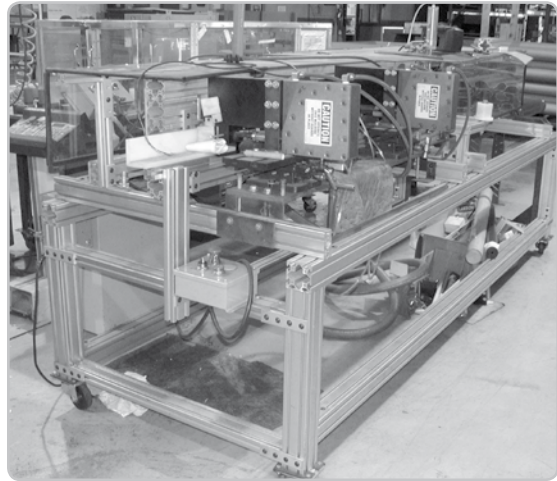
test rack



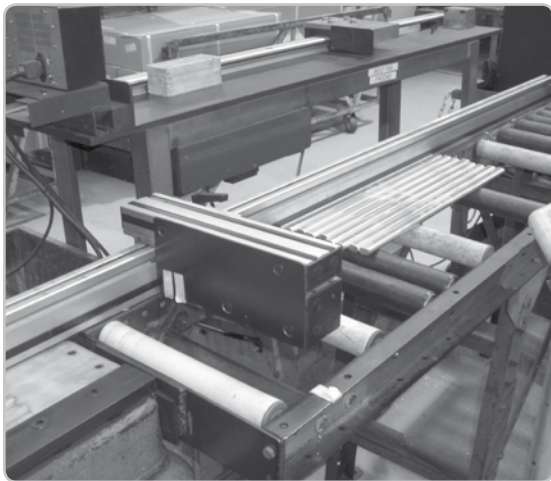
robotic enclosure



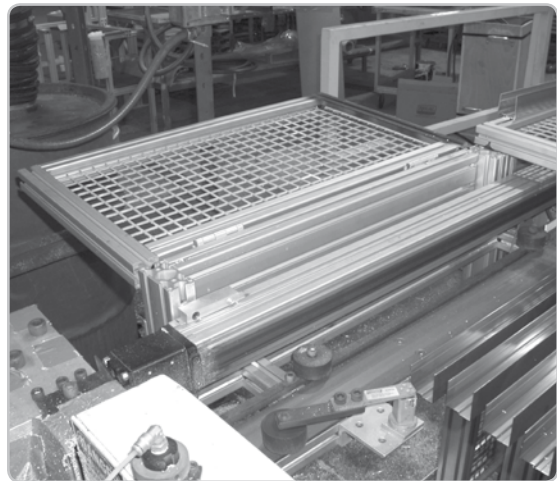
office shelving



automation



saw guide



safety guarding

TSLOTS Ideas



ergonomic workstation



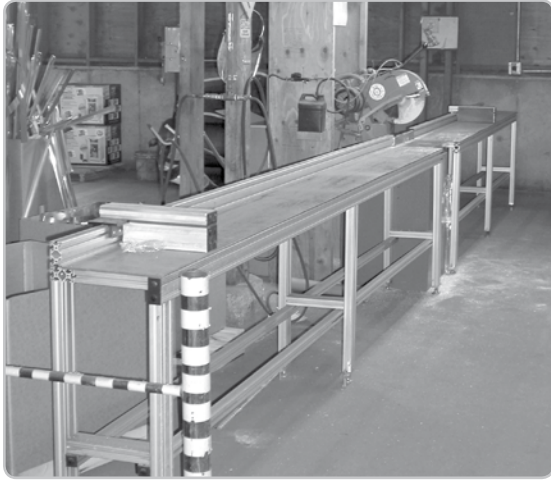
lean manufacturing



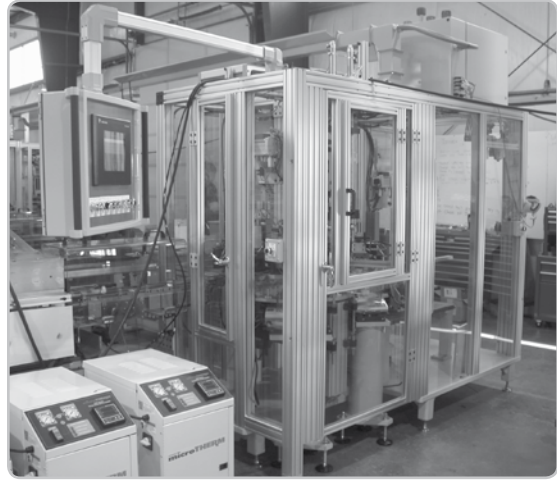
office furniture



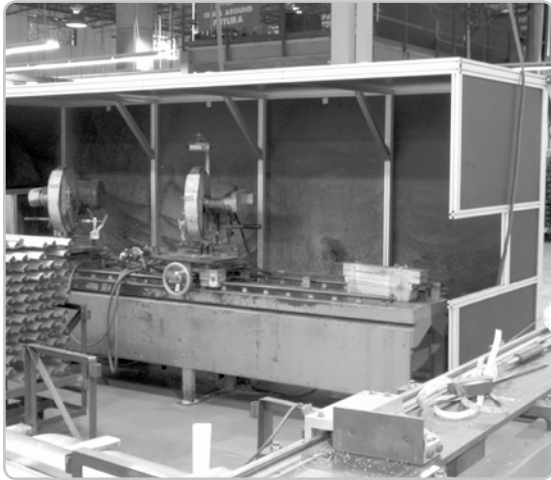
point of purchase display



saw runout table



test enclosure



enclosure



training rooms

1 | TECHNICAL DATA

Technical Data

TSLOTS EXTRUSION ADVANTAGES

- Linear adjustment in X, Y and Z axis
- All Fractional TSLOTS are on 1/2", 3/4", 1" or 1 1/2" center lines. All Metric TSLOTS are on 25mm and 40mm center lines.
- Use fractional or metric sized fasteners
- Lightweight and easy to use
- Stocked in 240" lengths
- No welding required to assemble your design – no heat stress or warpage
- Easy to fabricate
- Add to your design or change it at any time – flexibility is the key

EXTRUSION SPECIFICATIONS

Alloy – 6063*, T6 Temper

Yield Strength – Mpa = 200

0.2% Proof Stress – ksi = 29

Tensile Strength – Mpa = 230

0.2% Proof Stress – ksi = 33

Elasticity (E) – approximately 10,000,000 lbs./sq.in.

Hardness – Webster Model "B" 11-12

Flatness – .004" per inch of width

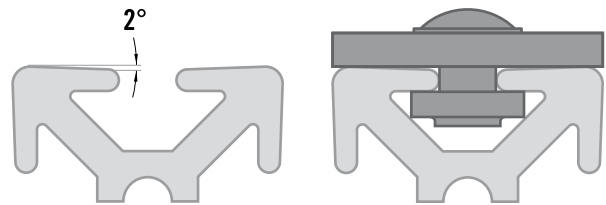
Straightness - .0125" per foot of length, not to exceed .120 inches over 20 feet of length

Twist – Twist per foot of length does not exceed .25° and total twist over 20 feet of length does not exceed 1.5°

**As an extruder, there are many other alloys that we can extrude. If your application calls for a different alloy, let us know and we can extrude it for you.*

SPRING LOCK FEATURE

All TSLOTS structural extrusions have a 2° taper that spring locks fasteners as they are tightened. Fasteners will not loosen, even under heavy vibration.



FASTENER TORQUE SPECIFICATIONS

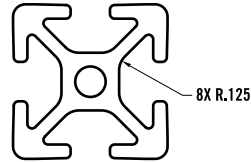
The table (below) indicates the amount of torque needed in foot lbs. to activate the 2° drop lock feature of the extrusion. The nut and bolt combination is pre-loaded when tightened to the minimum torque rating. The pre-loaded state makes a vibration proof connection.

FASTENER DESCRIPTION	TESTED EXTRUSION	MIN FT LBS TORQUE	MAX FT LBS TORQUE
5/16-18 FBHSCS or BHSCS	1.5" x 1.5"	15	20
Economy T-Slot Stud, Washer & Hex Nut	1.5" x 1.5"	20	25
Anchor Fastener & Standard T-Nut	1.5" x 1.5"	17	22
End Fastener	1.5" x 1.5"	17	22
1/4-20 FBHSCS or BHSCS	1.5" x 1.5"	12	17
1/4-20 FBHSCS used as an End Fastener for the 1" x 1"	1" x 1"	13	18
10-32 SHCS or BHSCS	1.5" x 1.5"	9	13

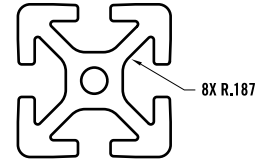
TSLOTS RADIUS

TSLOTS extrusions incorporate a radius in the T-Slot to ensure drop-in T-Nuts are easy to use.

10 SERIES



15 SERIES



ALUMINUM ALLOY

An aluminum extrusion alloy is a predetermined mixture of one or more elements together with aluminum to be heated and hydraulically pressed through an extrusion die. Some common elements alloyed with aluminum include copper, magnesium, manganese, chromium, silicon, iron, nickel and zinc.

TSLOTS extrusions use the 6063 alloy. In addition to aluminum, the major alloying elements for this alloy include: Mg .45-.9% and Si .20-.6%.

ANODIZING

Anodizing is an electrochemical process that thickens and toughens the naturally occurring protective oxide. The resulting finish makes a corrosion resistant extrusion. TSLOTS extrusions have an etch anodize finish that is .15-.25 mil. thick.

REMEMBER – WE CUSTOM EXTRUDE TOO!

Futura can ship you a finished extrusion with your TSLOTS orders. Futura provides the following operations:

- Extrusion
- Machining
- Heat treating
- Warehousing
- Cut to length
- Anodizing
- Painting
- Fabrication
- Engineering assistance
- Punch, slot, countersink

TSLOTS VS. WELDED STEEL

TSLOTS ADVANTAGES

- No welding
- No painting (unless you want to)
- No rusting
- No cleanup
- No special tools
- No electricity
- Easy modifications
- Add on attachments
- Remove attachments
- Strong support ability
- Linear slide capability
- Comes packed ready to assemble or arrives assembled if desired
- Compatibility with competitors attachments
- Lower cost per project

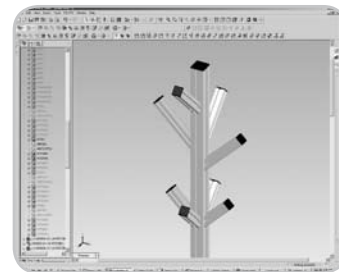
WELDED STEEL DISADVANTAGES:

- Special equipment, welder
- Welding supplies
- Paint
- Cleaning supplies
- Fabricating equipment
- May rust

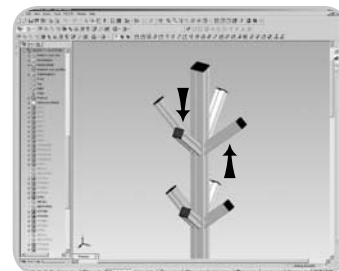
WELDED STEEL ADVANTAGES

- Permanent assembly

MAKING CHANGES TO YOUR DESIGN IS EASY!



BEFORE



AFTER

Technical Data

DEFLECTION CALCULATIONS

Using the calculations below, find your approximate deflection* for a specific TSLOTS extrusion. See table below for variations.

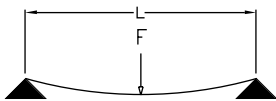
EQUATION VARIABLE UNITS RESPECTIVELY

- Max. Deflection is in inches
- "F" or Force is in pounds
- "L" or Length is in inches
- "E" or Modulus of elasticity is in pounds per inch squared
- "I" or Moment of Inertia is in inches⁴
- "W" or Weight is in pounds per inch

* For reference only.

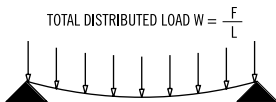
SUPPORTED LOADS

CONCENTRATED LOAD AT CENTER (*simply supported*)



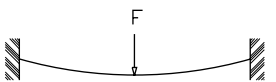
$$\text{MAX DEFLECTION} = \frac{FL^3}{48 EI}$$

UNIFORMLY DISTRIBUTED LOAD (*simply supported*)



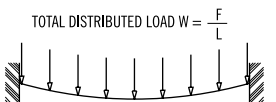
$$\text{MAX DEFLECTION} = \left(\frac{5}{384}\right) \left(\frac{WL^4}{EI}\right)$$

CONCENTRATED LOAD AT CENTER (*between fixed supports*)



$$\text{MAX DEFLECTION} = \frac{FL^3}{192 EI}$$

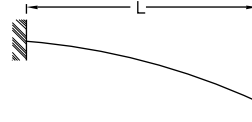
UNIFORMLY DISTRIBUTED LOAD (*between fixed supports*)



$$\text{MAX DEFLECTION} = \frac{WL^4}{384 EI}$$

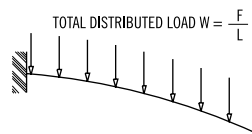
CANTILEVER LOADS

CONCENTRATED LOAD AT CENTER (*simply supported*)



$$\text{MAX DEFLECTION} = \frac{FL^3}{3 EI}$$

UNIFORMLY DISTRIBUTED LOAD (*simply supported*)



$$\text{MAX DEFLECTION} = \frac{WL^4}{8 EI}$$

EXTRUSION	(E) MODULUS OF ELASTICITY	(Ix) MOMENT OF INERTIA	(Iy) MOMENT OF INERTIA
TS10-10	10,000,000 lbs/sq. in	.046 in ⁴	.046 in ⁴
TS10-10QR	10,000,000 lbs/sq. in	.0435 in ⁴	.0435 in ⁴
TS10-20	10,000,000 lbs/sq. in	.087 in ⁴	.321 in ⁴
TS20-20	10,000,000 lbs/sq. in	.578 in ⁴	.578 in ⁴
TS15-15	10,000,000 lbs/sq. in	.266 in ⁴	.266 in ⁴
TS15-15L	10,000,000 lbs/sq. in	.194 in ⁴	.194 in ⁴
TS15-15QR	10,000,000 lbs/sq. in	.172 in ⁴	.172 in ⁴
TS15-30	10,000,000 lbs/sq. in	.502 in ⁴	1.877 in ⁴
TS15-30L	10,000,000 lbs/sq. in	.408 in ⁴	1.431 in ⁴
TS15-45	10,000,000 lbs/sq. in	.739 in ⁴	5.913 in ⁴
TS30-30	10,000,000 lbs/sq. in	3.379 in ⁴	3.379 in ⁴
TS30-60	10,000,000 lbs/sq. in	6.430 in ⁴	21.856 in ⁴

» Deflection calculations are for reference only - they are only approximate.

TSLOTS DESIGNPRO™

TSLOTS DesignPro™ is an add-in product for SolidWorks® software that makes designing with structural aluminum extrusions faster and easier than ever before. TSLOTS DesignPro™ reduces the time it takes to create drawings by more than 50% over manual methods. The software also creates an automatic bill of materials (BOM), provides real-time pricing, and allows engineers to send a request for quote (RFQ), place orders, or check the status of orders online.

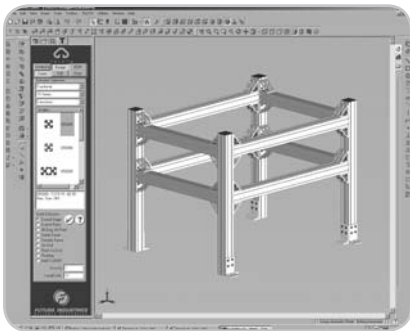
TSLOTS DesignPro™ is available to users of SolidWorks 2004, 2005 and 2006. For those engineers using CAD systems other than SolidWorks, Futura Industries offers design assistance and can provide drawings using SolidWorks eDrawings™ software.

TSLOTS makes the creation of assembly structures faster and easier than using welded steel. The only tools that an engineer needs to complete a structure are a t-nut, fastener, and an allen wrench. Applications include machine guarding, machine frames, workbenches, assembly stations, tool racks, test tables, and clean room structures.

TSLOTS DesignPro™ software is available for free download at www.tslots.com in the Downloads section. Engineers and designers can also request a CD online, or call Futura Industries at 1-800-824-2049.



USE TSLOTS DESIGNPRO™



Our program creates a bill of materials and generates pricing while you create a 3-D SolidWorks® drawing. This program can be used with full versions of SolidWorks® 2003, 2004, 2005 & 2006.

TSLOTS also offers 2D-DXF, 2D-DWG, 3D-DWG, 3D-STEP, 3D-IGES, and 3D-SAT files that are compatible with AutoCAD® and many other popular CAD programs.

All of these useful design tools and much more are available as free downloads from www.tslots.com and are also available on CD-ROM.

Give us a call at 800-824-2049 or visit our website at www.tslots.com

FREE DESIGN ASSISTANCE

Our engineers are available to assist you Monday through Friday from 6:00 a.m. until 5:00 p.m. MST. Our highly qualified staff offers design assistance, answers to technical questions, and provides DesignPro support for your projects. Simply contact your distributor and email or fax your project drawings to us.

DESIGNPRO™ TRAINING ONLINE AT WWW.TSLOTS.COM

Maximize your usage of the TSLOTS DesignPro™ by learning how to use the different features included in the SolidWorks® add-in. Training modules located on our website are designed to quickly teach you how to use the DesignPro's different features. The DesignPro was developed to utilize all of the SolidWorks features that users are familiar with so learning the add-in should be intuitive and the learning curve should be short. Should you have questions or want to learn more about the TSLOTS DesignPro™ please contact our Engineering Department.

02 | STRUCTURAL EXTRUSIONS

There are six 10 Series extrusions to choose from - 1"x1", 1"x1" QR, 1"x2", 1"x3", 2"x2" and 2"x4". The 10 Series TLOTS have .255" slot widths and are modular to each other. Accessories throughout this catalog allow you to build a complete structure with our 10 Series accessories and transition it to our 15 Series. The 10 Series T-Slot design has an inside radius of .125" to make sliding drop-in T-Nuts easier.

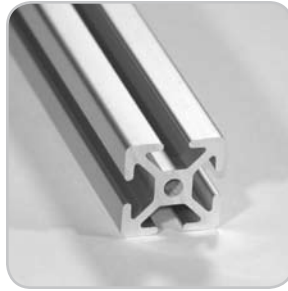
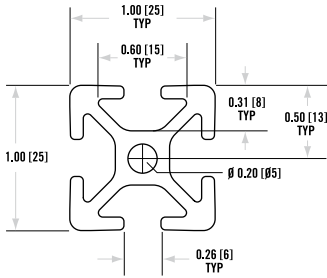
There are twelve 15 Series extrusions to choose from – 1.5"x1.5" to 3"x6". The 15 Series TLOTS have .322" slot widths and are modular to each other. Accessories throughout this catalog allow you to build a complete structure with our 15 Series accessories and transition it to and from our 10 Series. The 15 Series T-Slot design has an inside radius of .187" to make sliding drop-in T-Nuts easier.

» *See the Technical Data section for specific aluminum information.*

Structural Extrusions

TS10-10 [fractional]

Item Number: **650000**

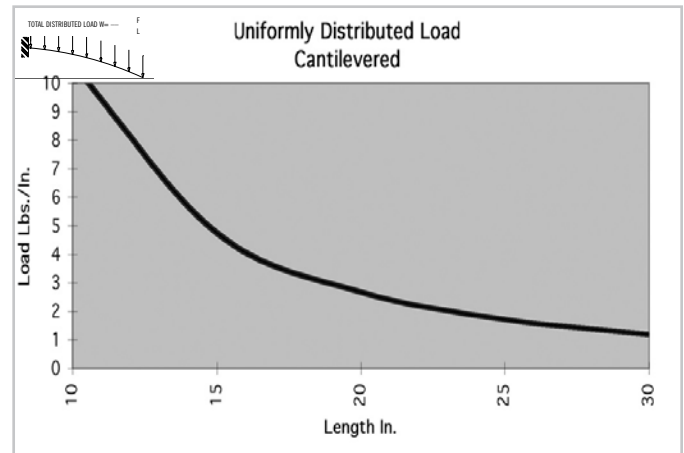
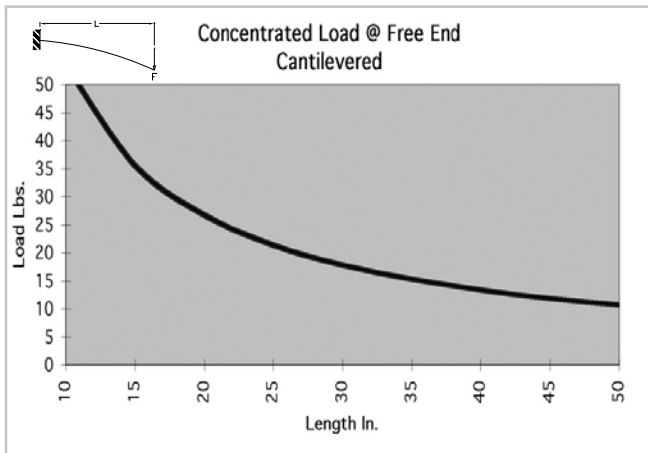
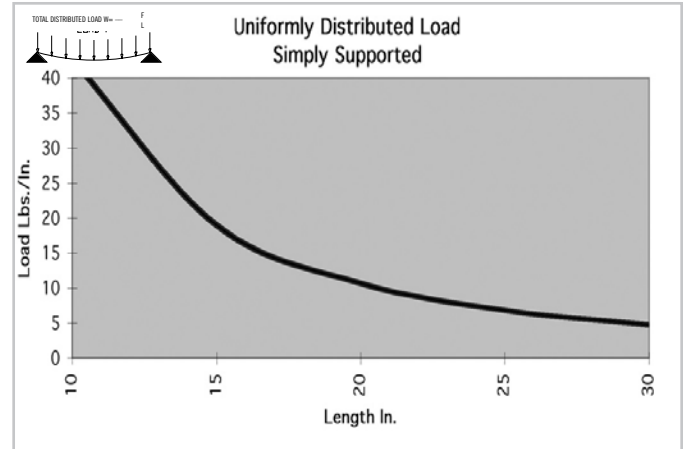
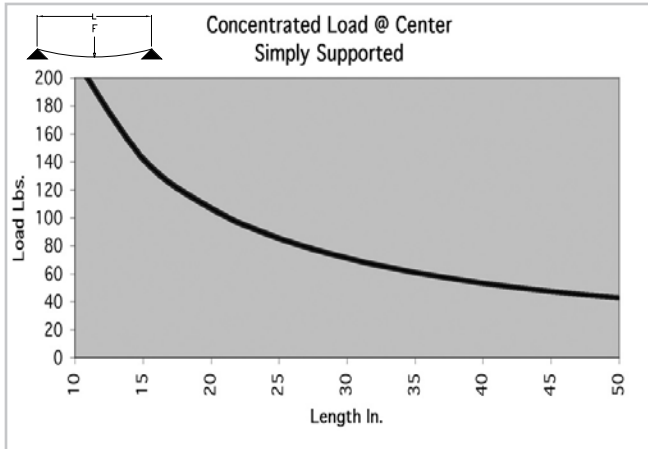


The 1"x1" extrusion is ideal for machine guarding, sound enclosures, small load work benches, display racks and panel mount racks. Mount accessories such as valves, sensors, switches, slatwall panels, DIN rails and many others directly to TLOTS.

SPECIFICATIONS

Length	20'
Weight	0.548 lbs/ft (0.816 kg/m)
Estimated Area	0.457 in ² (2.948 cm ²)
Moment of Inertia	$I_x=0.046 \text{ in}^4$ (1.915 cm ⁴)
	$I_y=0.046 \text{ in}^4$ (1.915 cm ⁴)

BEAM SELECTION BY LOAD AND LENGTH

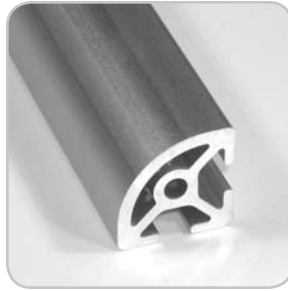
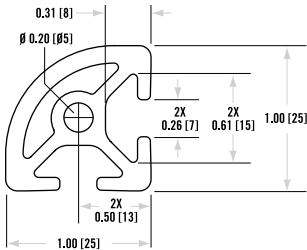


* Charts based on allowable loads related to yield strength with a margin of safety equal to five.

» For deflection equations see page 01:04.

TS10-10QR [fractional]

Item Number: **650040**

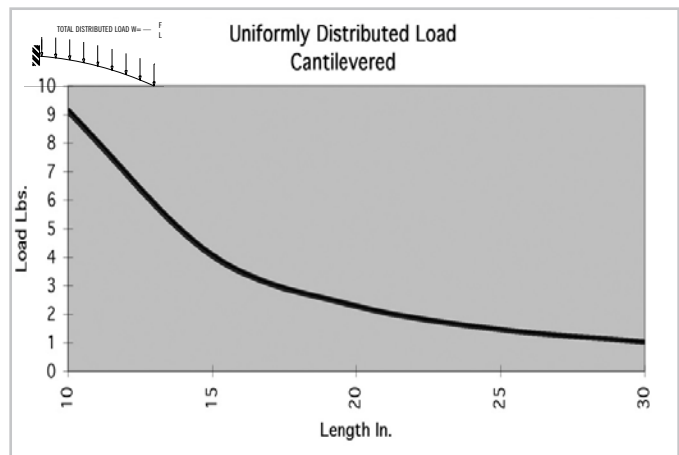
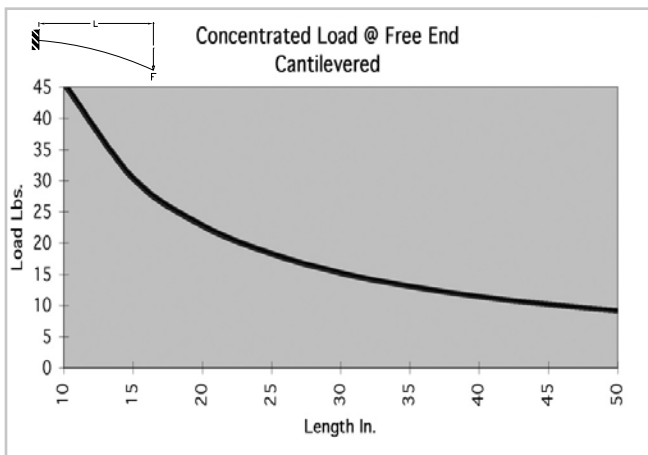
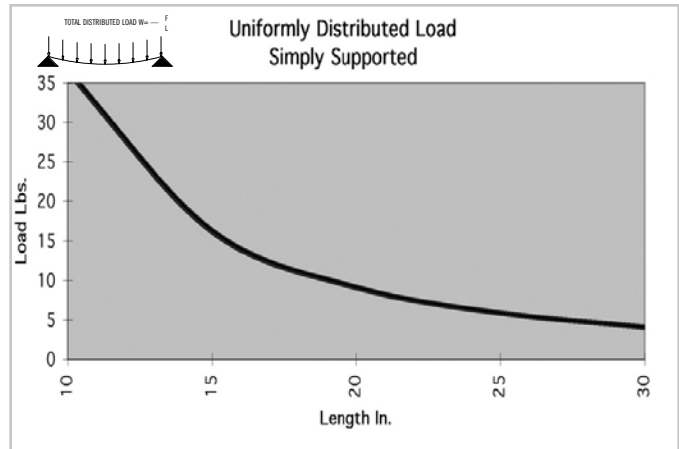
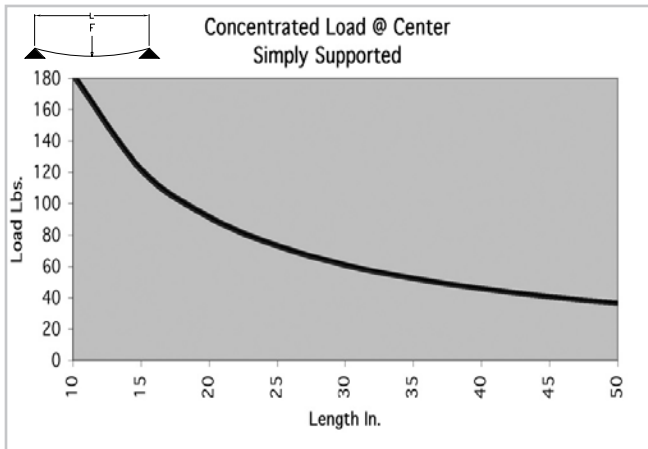


The 1.0"x1.0" Quarter Round extrusion is ideal for machine guarding, sound enclosures, small load work benches, display racks and panel mount racks. Mount accessories such as valves, sensors, switches, slatwall panels, DIN rails and many others directly to TLOTS. Adds aesthetics to your design.

SPECIFICATIONS

Length	20'
Weight	0.567 lbs/ft (.844 kg/m)
Estimated Area	0.4727 in ² (3.05 cm ²)
Moment of Inertia	I _x =.0435 in ⁴ (1.81 cm ⁴)
		I _y =.0435 in ⁴ (1.81 cm ⁴)

BEAM SELECTION BY LOAD AND LENGTH



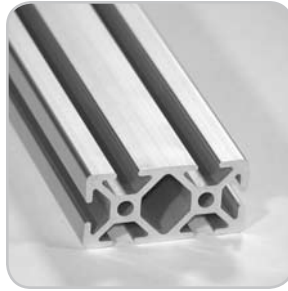
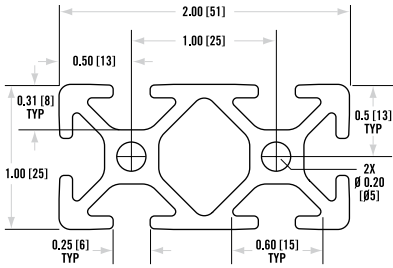
* Charts based on allowable loads related to yield strength with a margin of safety equal to five.

» For deflection equations see page 01:04.

Structural Extrusions

TS10-20 [fractional]

Item Number: **650002**

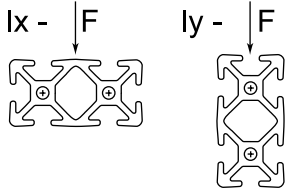


The 1"x2" shape is designed for machine guarding, work benches, sound enclosures and mounting devices. The 1"x2" shape can be used to run air lines or as a pressure or vacuum manifold.

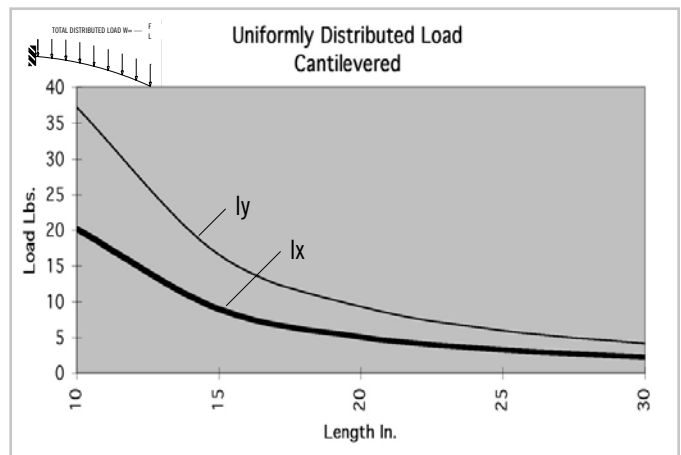
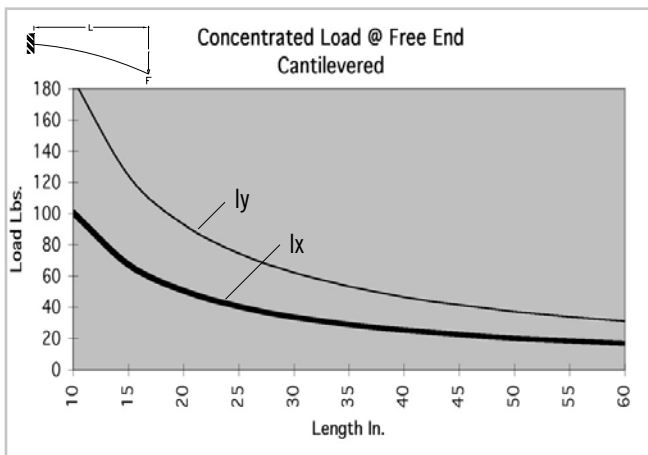
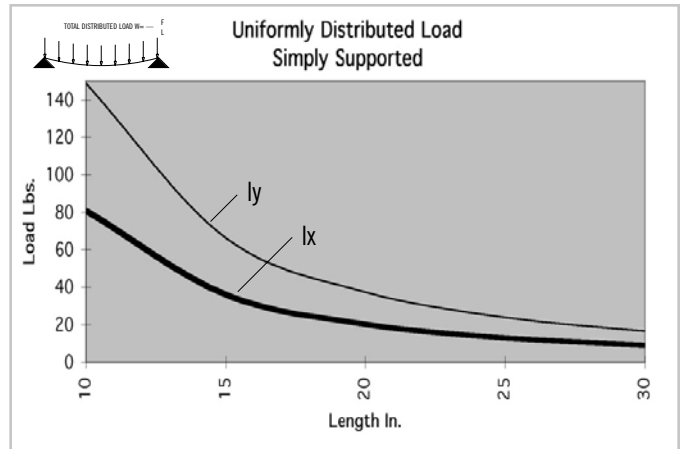
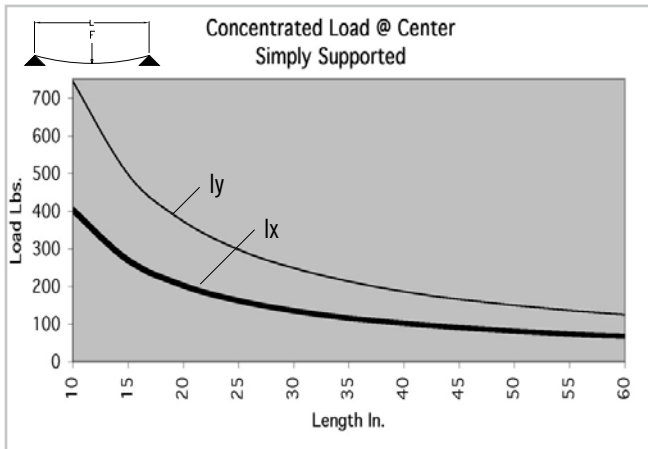
Other Industry Standard and custom extruded shapes available upon request.

SPECIFICATIONS

Length	20'
Weight	0.989 lbs/ft (1.472 kg/m)
Estimated Area	0.824 in ² (5.316 cm ²)
Moment of Inertia	lx=.087 in ⁴ (3.621 cm ⁴)
		ly=.321 in ⁴ (13.361 cm ⁴)



BEAM SELECTION BY LOAD AND LENGTH

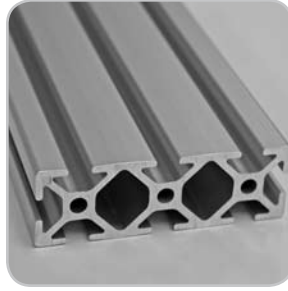
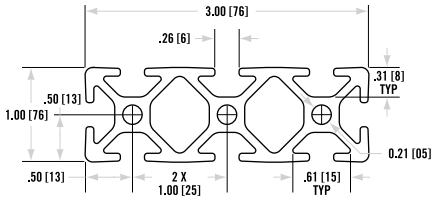


* Charts based on allowable loads related to yield strength with a margin of safety equal to five.

» For deflection equations see page 01:04.

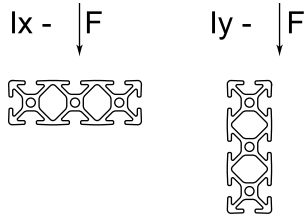
TS10-30 [fractional]

Item Number: **650001**



The 1"x3" shape is designed for machine guarding, work benches, sound enclosures and mounting devices. The 1"x3" shape can be used to run air lines or as a pressure or vacuum manifold.

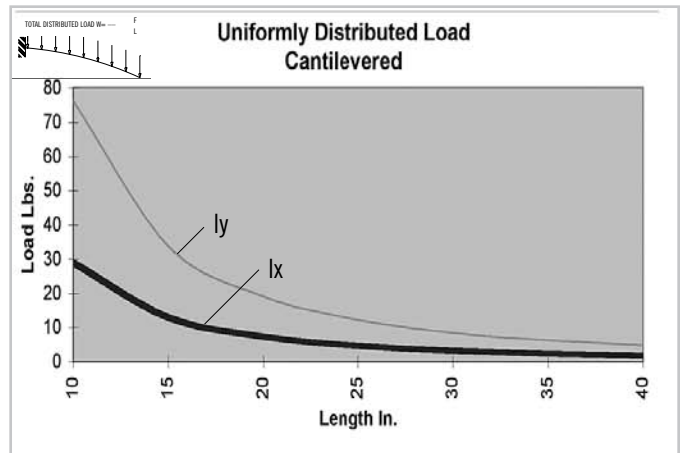
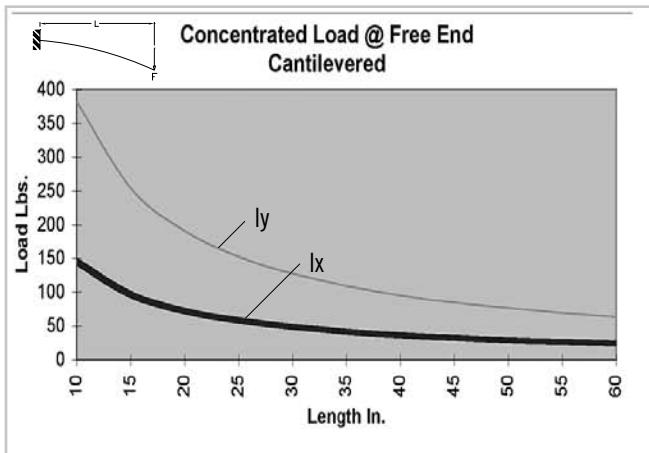
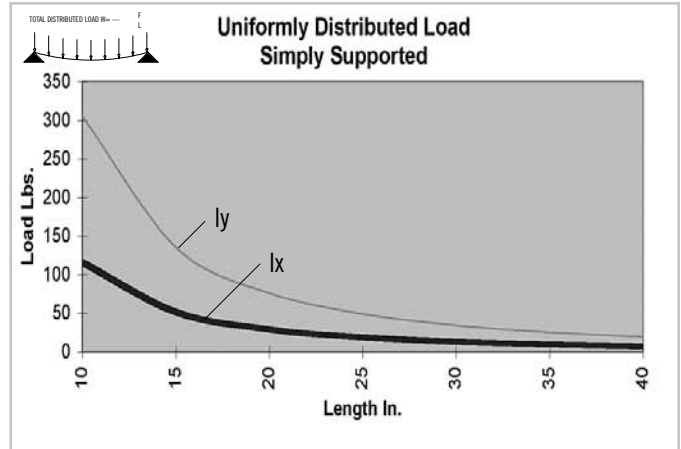
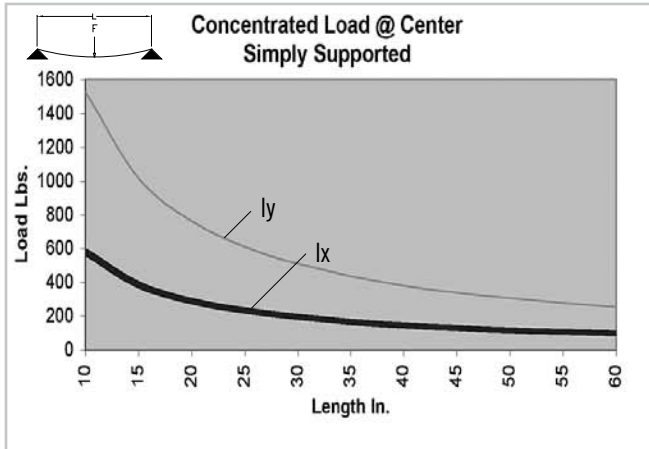
Other Industry Standard and custom extruded shapes available upon request.



SPECIFICATIONS

Length	20'
Weight	1.403 lbs/ft (2.087 kg/m)
Estimated Area	1.169 in ² (7.806 cm ²)
Moment of Inertia	Ix=.125 in ⁴ (5.202 cm ⁴)
	Iy=.986 in ⁴ (41.040 cm ⁴)

BEAM SELECTION BY LOAD AND LENGTH



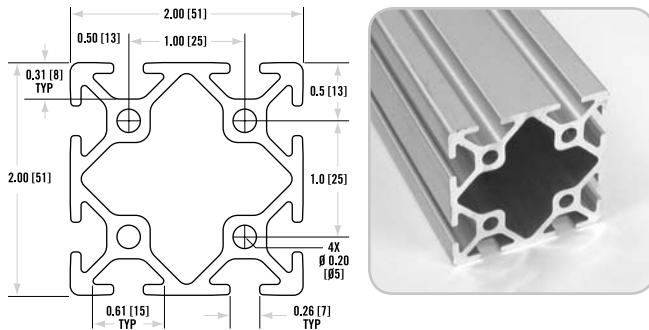
* Charts based on allowable loads related to yield strength with a margin of safety equal to five.

» For deflection equations see page 01:04.

Structural Extrusions

TS20-20 [fractional]

Item Number: **650003**

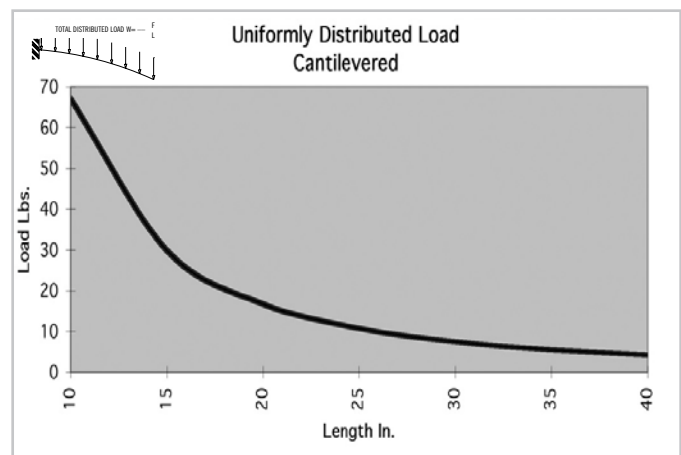
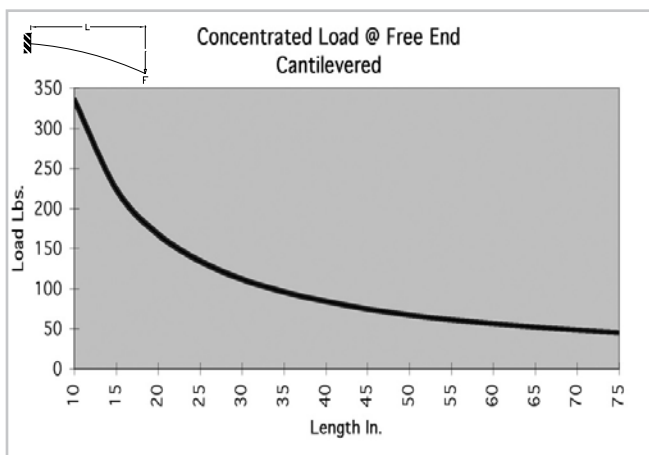
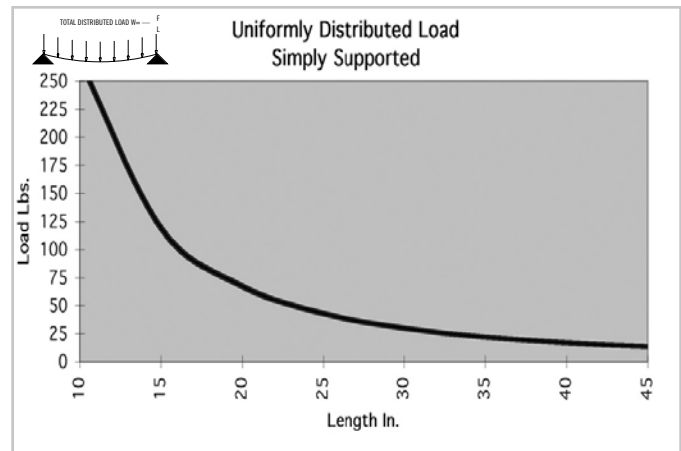
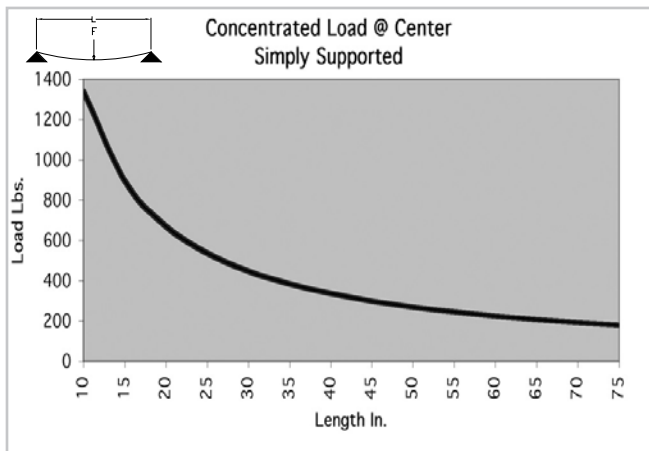


The 2"x2" extrusion is ideal for structures where more strength is needed for smaller frame assemblies. The center of the 2"x2" can be used to run air lines or serve as a pressure or vacuum manifold up to 150 p.s.i. The 2"x2" TSLOTS extrusion accepts 10 Series fasteners, accessories and stanchions.

SPECIFICATIONS

Length	20'
Weight	1.542 lbs/ft (2.295 kg/m)
Estimated Area	1.285 in ² (8.290 cm ²)
Moment of Inertia	I _x =.578 in ⁴ (24.058 cm ⁴)
	I _y =.578 in ⁴ (24.058 cm ⁴)

BEAM SELECTION BY LOAD AND LENGTH

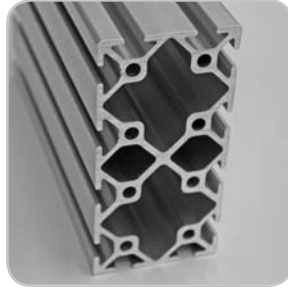
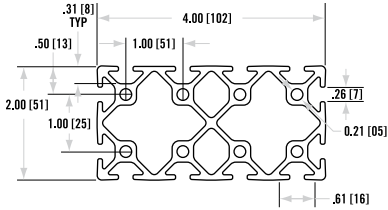


* Charts based on allowable loads related to yield strength with a margin of safety equal to five.

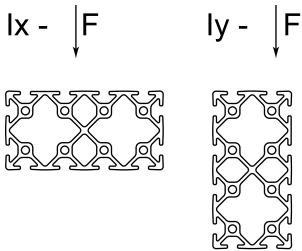
» For deflection equations see page 01:04.

TS20-40 [fractional]

Item Number: 650004



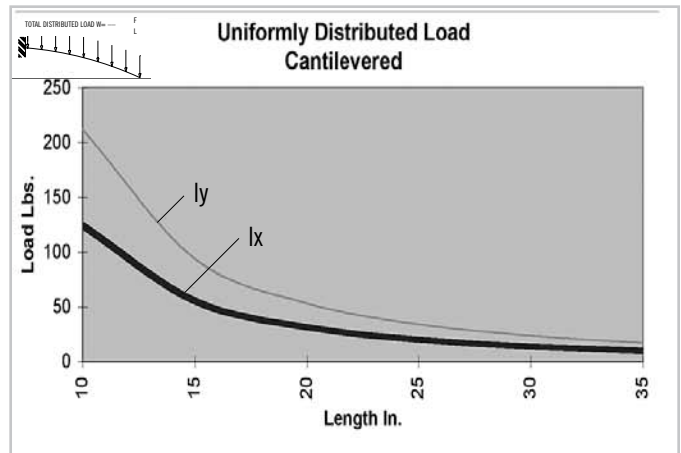
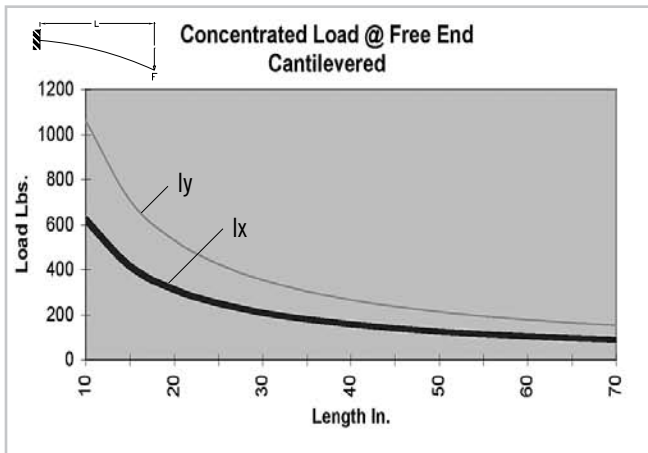
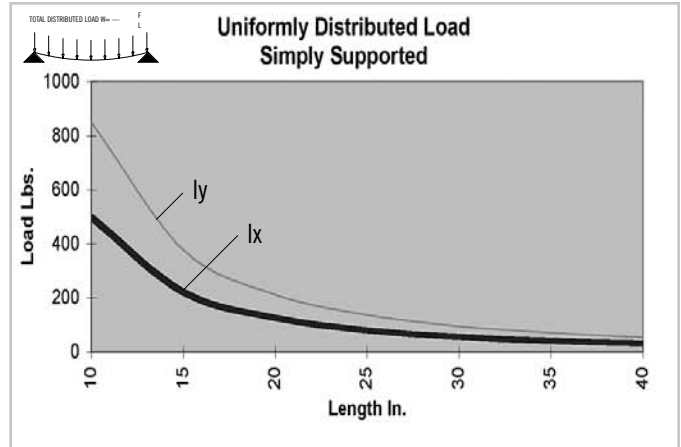
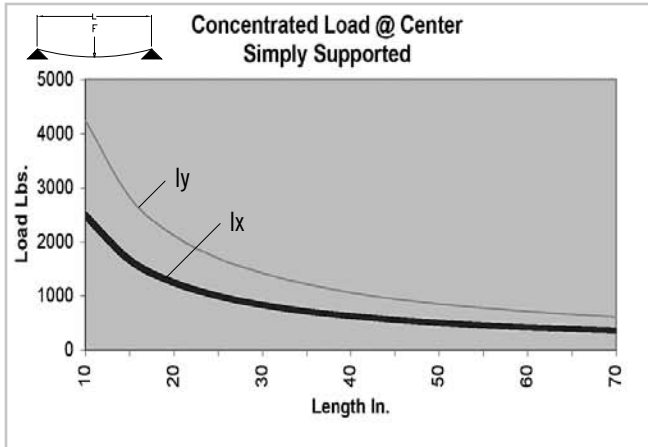
Our 2"x4" shape is the largest 10 S shape available. It was created for structures that require very high load requirements. The 2"x4" shape is ideal for heavy duty machine bases, support structures, stairways, mezzanines and anywhere where maximum structural strength is needed. The 2"x4" shape also has four hollow centers that will accommodate multiple air manifolds. Pressure up to 150 p.s.i.



SPECIFICATIONS

Length	20'
Weight	2.820 lbs/ft (4.195 kg/m)
Estimated Area	2.350 in ² (15.157 cm ²)
Moment of Inertia	lx=1.075 in ⁴ (44.744 cm ⁴) ly=3.656 in ⁴ (152.174 cm ⁴)

BEAM SELECTION BY LOAD AND LENGTH



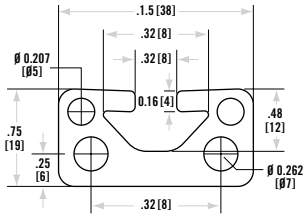
* Charts based on allowable loads related to yield strength with a margin of safety equal to five.

» For deflection equations see page 01:04.

Structural Extrusions

TS 15-75 [fractional]

Item Number: 650007



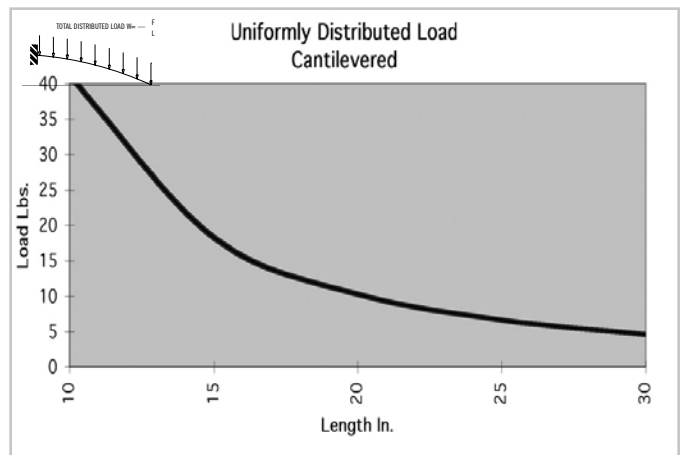
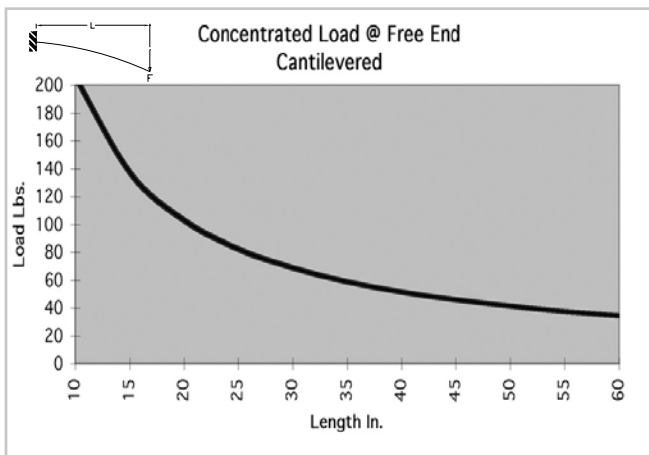
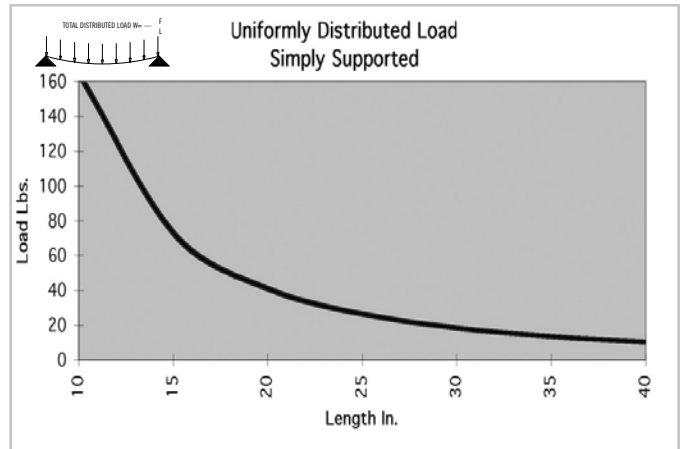
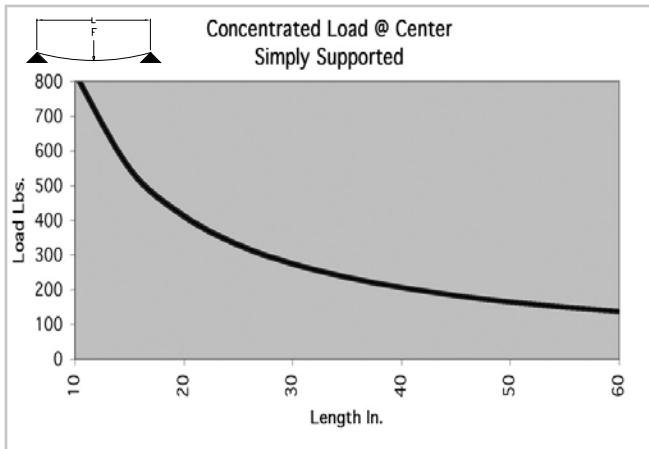
The 1.5" x .75" extrusion can be used as a door rail or a support for clamps, valves, etc. It can also be used as a handrail.

SPECIFICATIONS

Length	20'
Weight	0.8328 lbs/ft (1.238 kg/m)
Estimated Area	0.694 in ² (4.476 cm ²)
Moment of Inertia	I _x =.037 in ⁴ (1.522 cm ⁴)
	I _y =.147 in ⁴ (6.114 cm ⁴)

02:08

BEAM SELECTION BY LOAD AND LENGTH

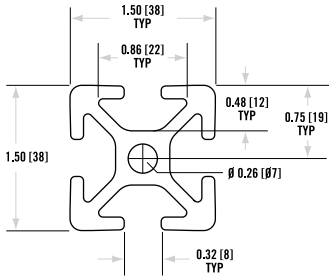


* Charts based on allowable loads related to yield strength with a margin of safety equal to five.

» For deflection equations see page 01:04.

TS15-15 [fractional]

Item Number: 650005

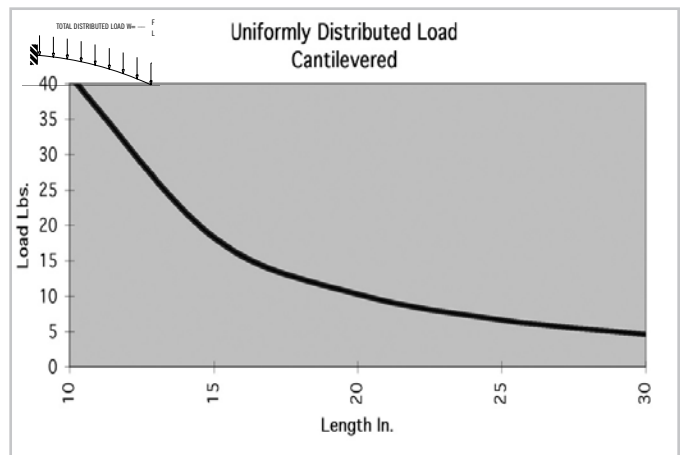
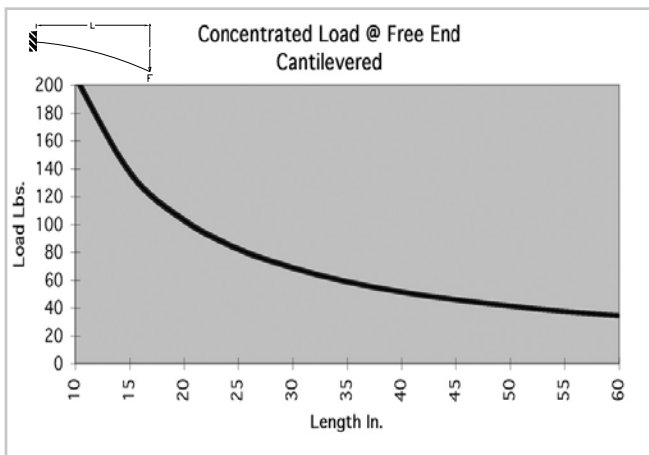
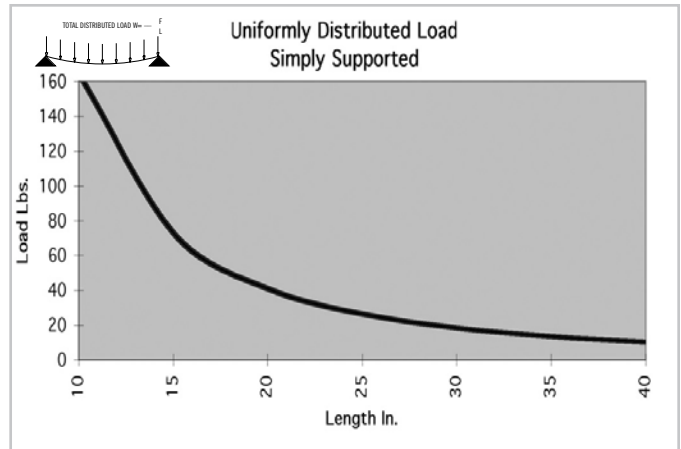
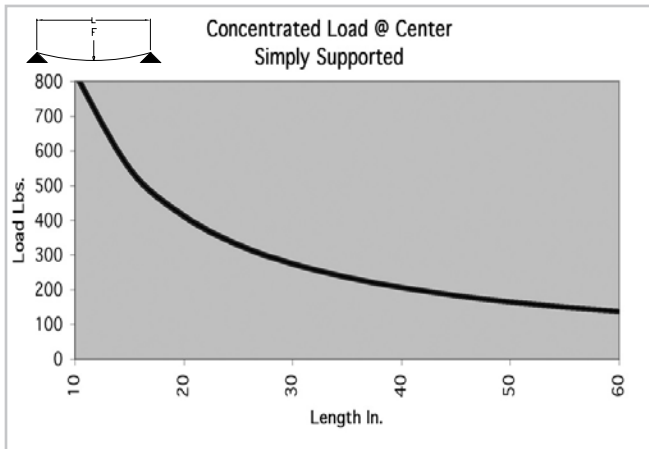


The 1.5"x1.5" shape has a thicker wall that will accommodate heavier applications than the 1.5"x1.5"L. Applications include machine frames, workstations, shop carts, tables and machine retrofits.

SPECIFICATIONS

Length	20'
Weight	1.438 lbs/ft (2.140 kg/m)
Estimated Area	1.198 in ² (7.729 cm ²)
Moment of Inertia	$I_x = .266 \text{ in}^4 (11.072 \text{ cm}^4)$ $I_y = .266 \text{ in}^4 (11.072 \text{ cm}^4)$

BEAM SELECTION BY LOAD AND LENGTH



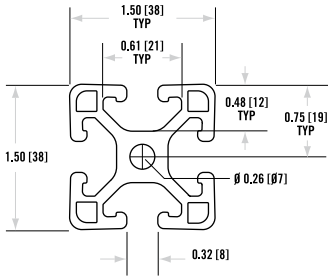
* Charts based on allowable loads related to yield strength with a margin of safety equal to five.

» For deflection equations see page 01:04.

Structural Extrusions

TS15-15L [fractional]

Item Number: **650006**

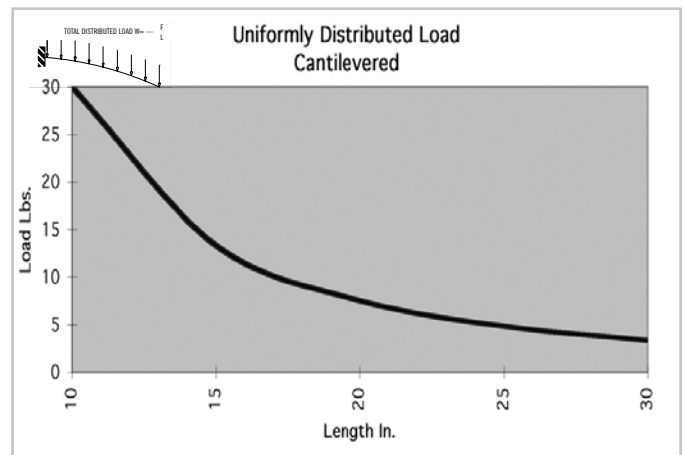
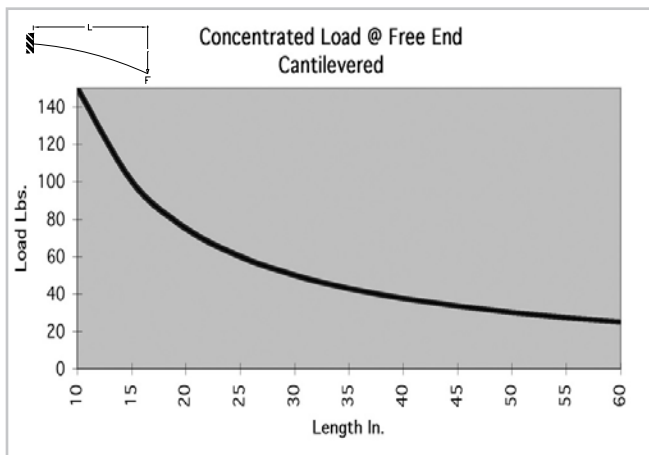
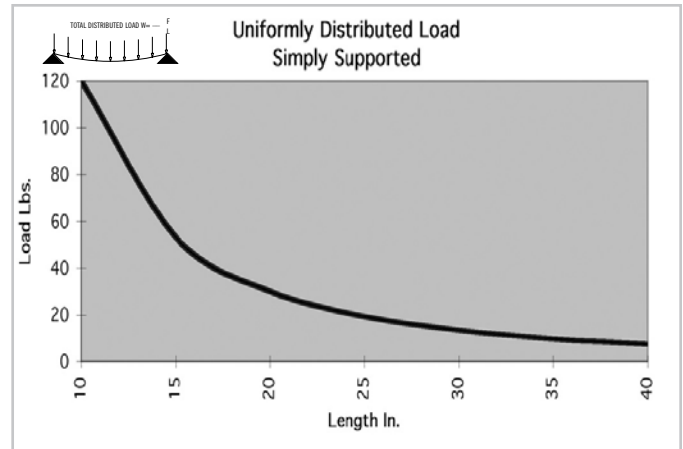
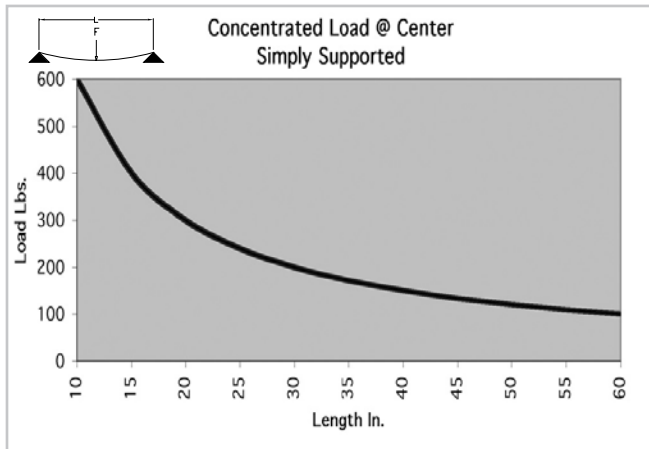


The 1.5"x1.5"L shape was designed for lighter weight and strength requirements than our 1.5"x1.5". Applications include lighter load bearing structures, guarding and light weight frames.

SPECIFICATIONS

Length	20'
Weight	1.110 lbs/ft (1.652 kg/m)
Estimated Area	0.925 in ² (5.968 cm ²)
Moment of Inertia	I _x =.194 in ⁴ (8.075 cm ⁴)
	I _y =.194 in ⁴ (8.075 cm ⁴)

BEAM SELECTION BY LOAD AND LENGTH

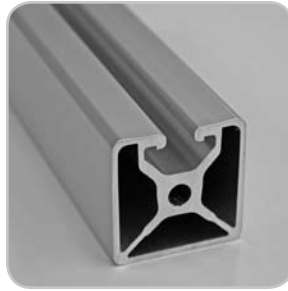
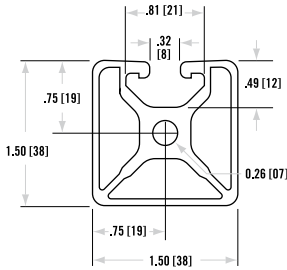


* Charts based on allowable loads related to yield strength with a margin of safety equal to five.

» For deflection equations see page 01:04.

TS15-15 MONOSLOT [fractional]

Item Number: **650014**

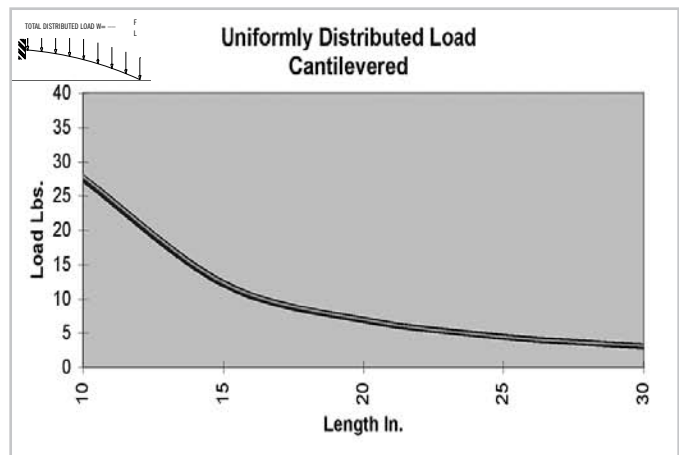
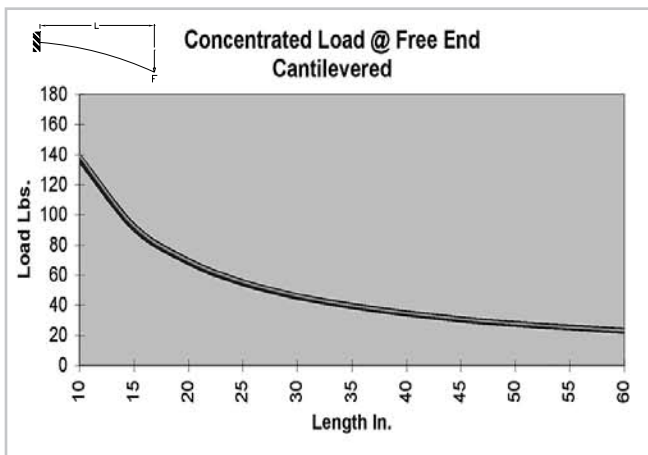
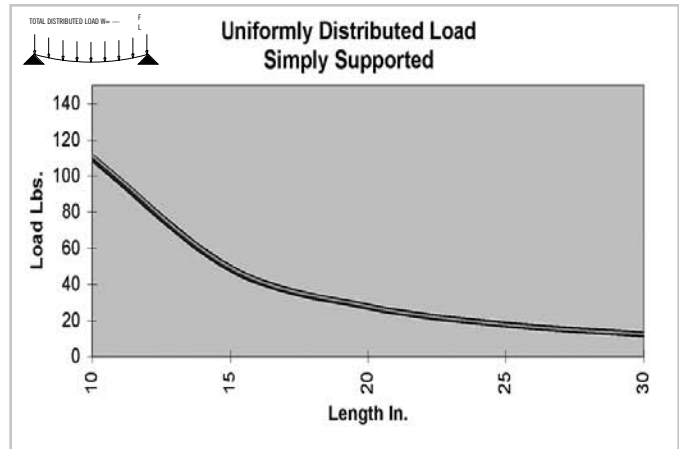
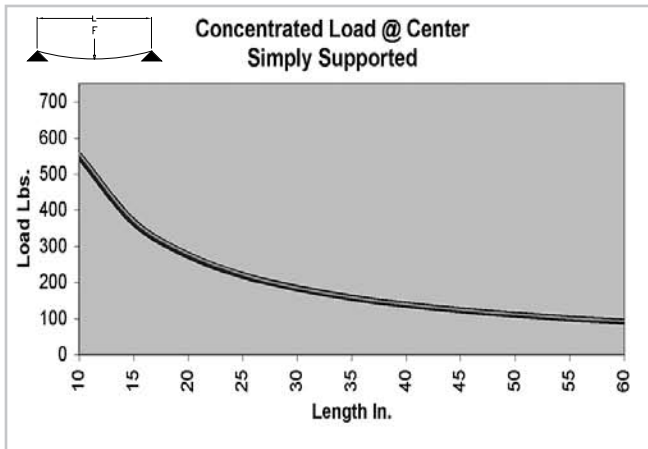


The 1.5"x1.5" MOS shape was designed for lighter weight and strength requirements where additional cleanliness and aesthetics is needed. Applications include machine enclosures, guarding and light weight frames.

SPECIFICATIONS

Length	20'
Weight	1.015 lbs/ft (1.510 kg/m)
Estimated Area	0.846 in ² (5.456 cm ²)
Moment of Inertia	I _x =.178 in ⁴ (7.408 cm ⁴)
		I _y =.180 in ⁴ (7.492 cm ⁴)

BEAM SELECTION BY LOAD AND LENGTH



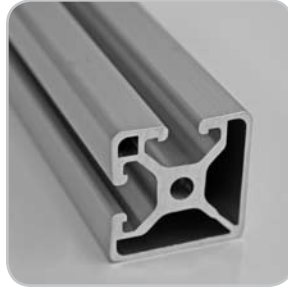
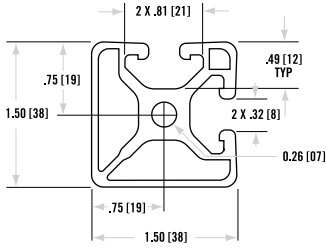
* Charts based on allowable loads related to yield strength with a margin of safety equal to five.

» For deflection equations see page 01:04.

Structural Extrusions

TS15-15 BISLOT AD [fractional]

Item Number: **650015**

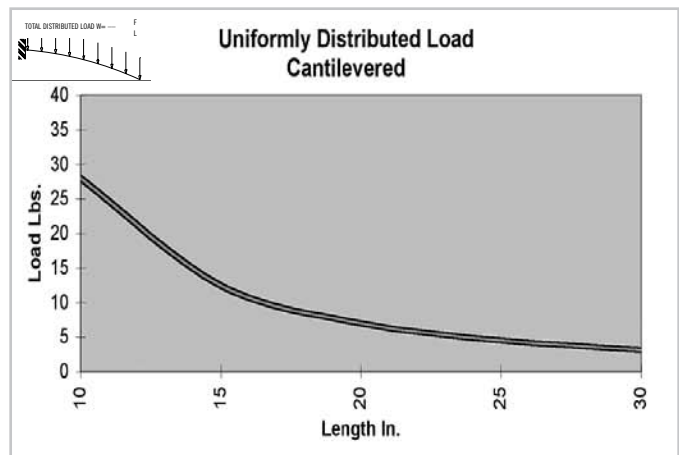
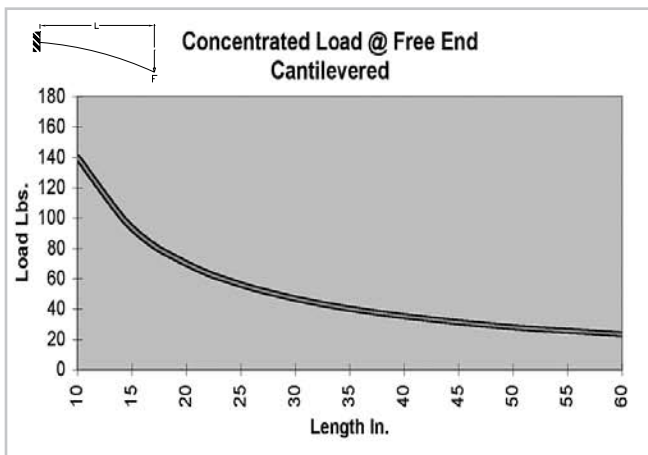
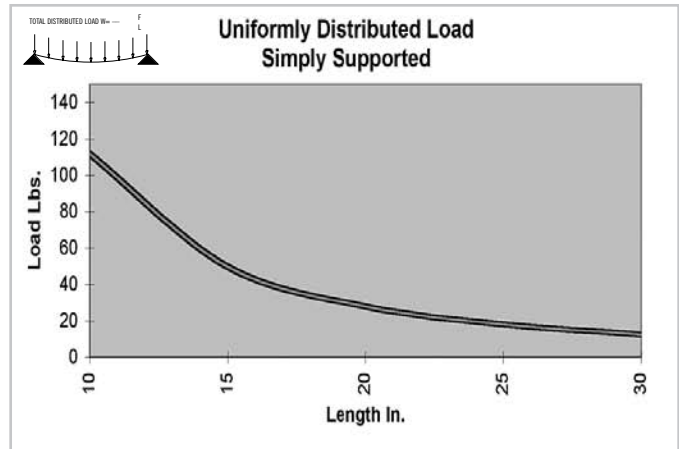
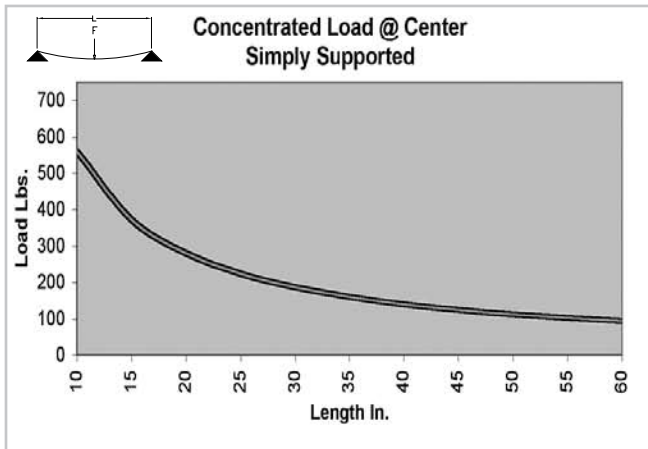


The 1.5"x1.5" BAS shape was designed for lighter weight and strength requirements where additional cleanliness and aesthetics is needed. Applications include machine enclosures, guarding and light weight frames.

SPECIFICATIONS

Length	20'
Weight	1.036 lbs/ft (1.541 kg/m)
Estimated Area	0.863 in ² (5.566 cm ²)
Moment of Inertia	I _x =.181 in ⁴ (7.533 cm ⁴)
	I _y =.181 in ⁴ (7.533 cm ⁴)

BEAM SELECTION BY LOAD AND LENGTH

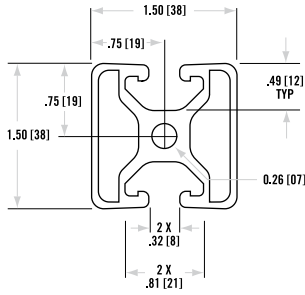


* Charts based on allowable loads related to yield strength with a margin of safety equal to five.

» For deflection equations see page 01:04.

TS15-15 BISLOT OPP [fractional]

Item Number: **650016**

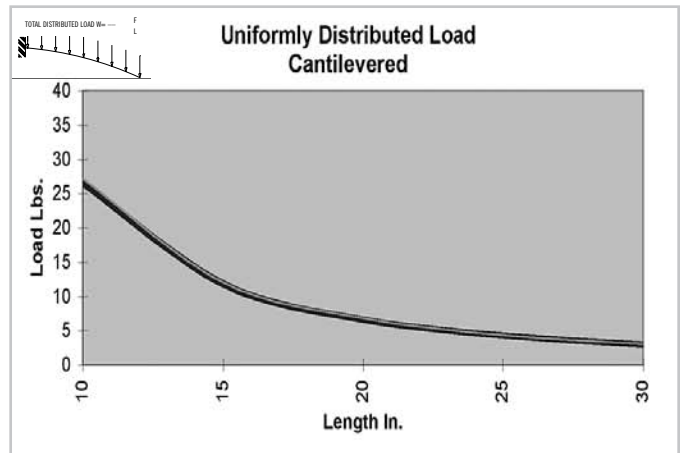
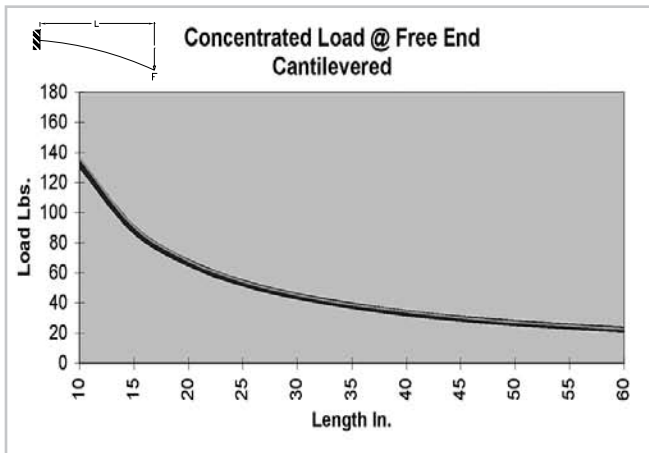
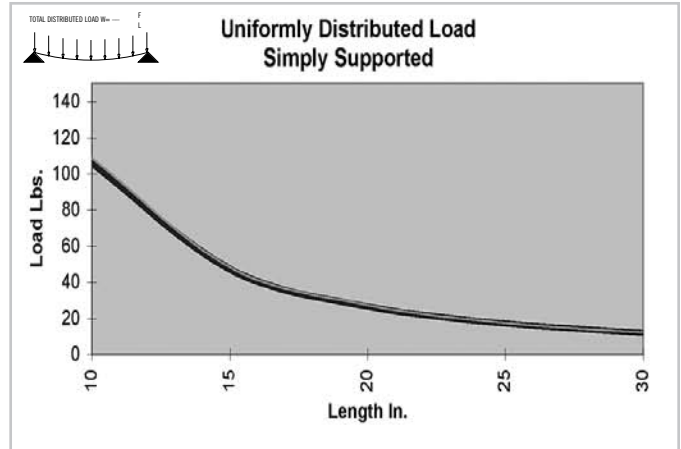
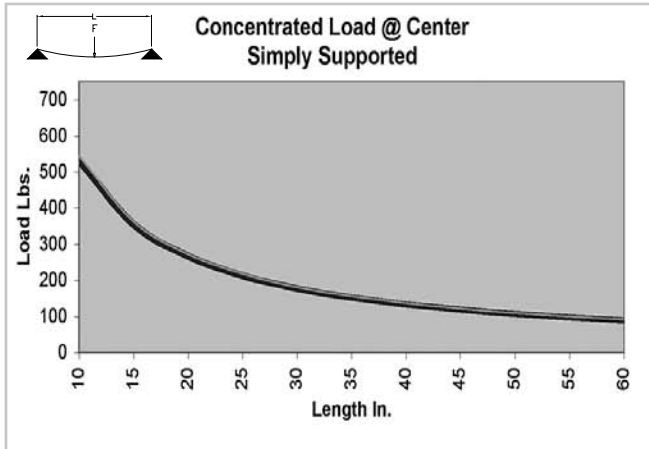


The 1.5"x1.5" BOS shape was designed for lighter weight and strength requirements where additional cleanliness and aesthetics is needed. Applications include machine enclosures, guarding and light weight frames.

SPECIFICATIONS

Length	20'
Weight	1.008 lbs/ft (1.499 kg/m)
Estimated Area	0.840 in ² (5.418 cm ²)
Moment of Inertia	I _x =.172 in ⁴ (7.159 cm ⁴)
	I _y =.176 in ⁴ (7.325 cm ⁴)

BEAM SELECTION BY LOAD AND LENGTH



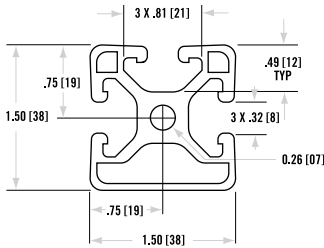
* Charts based on allowable loads related to yield strength with a margin of safety equal to five.

» For deflection equations see page 01:04.

Structural Extrusions

TS15-15 TRISLOT [fractional]

Item Number: **650017**

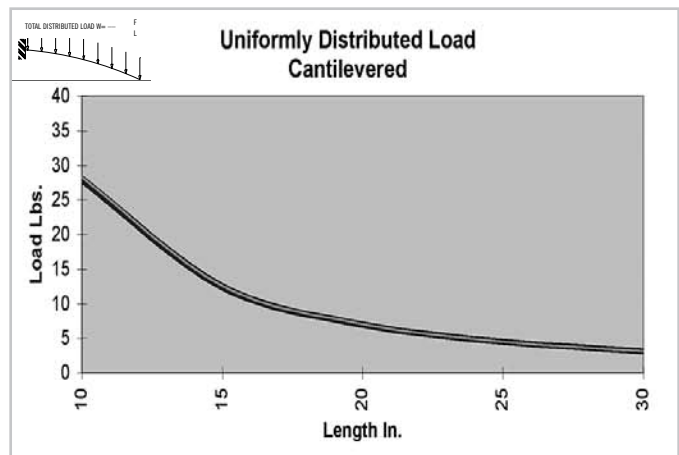
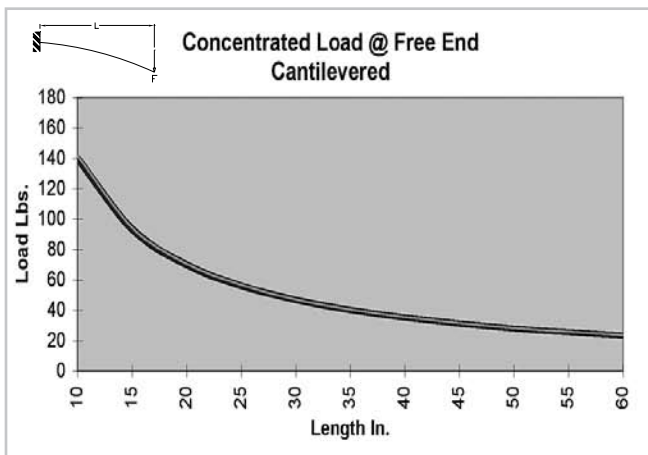
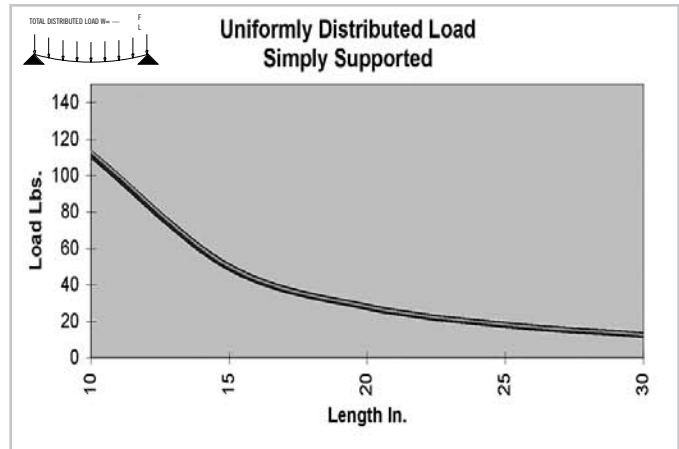
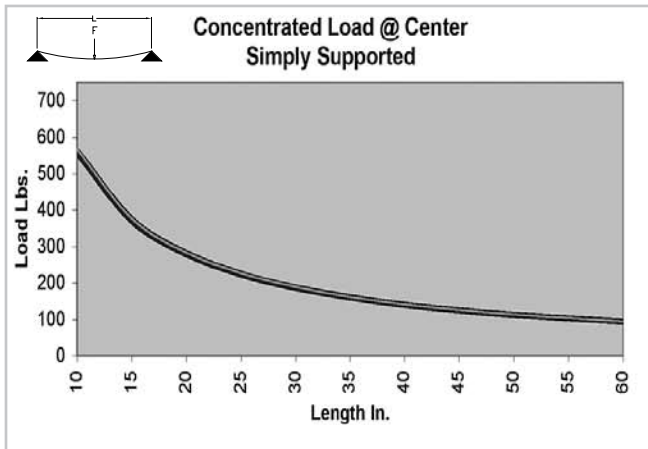


The 1.5"x1.5"TRS shape was designed for lighter weight and strength requirements where additional cleanliness and aesthetics is needed. Applications include machine enclosures, guarding and light weight frames.

SPECIFICATIONS

Length	20'
Weight	1.054 lbs/ft (1.568 kg/m)
Estimated Area	0.878 in ² (5.663 cm ²)
Moment of Inertia	I _x =.181 in ⁴ (7.533 cm ⁴)
		I _y =.183 in ⁴ (7.617 cm ⁴)

BEAM SELECTION BY LOAD AND LENGTH

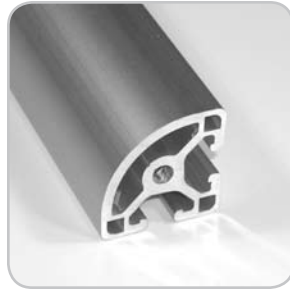
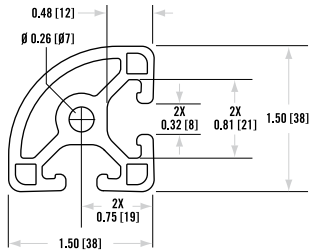


* Charts based on allowable loads related to yield strength with a margin of safety equal to five.

» For deflection equations see page 01:04.

TS15-15QR [fractional]

Item Number: **650041**

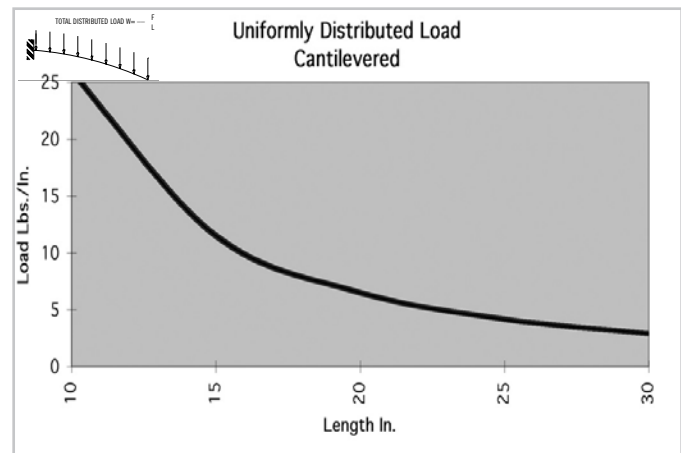
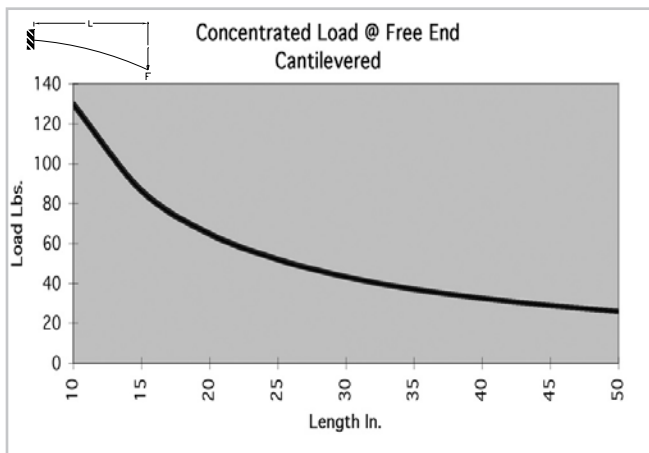
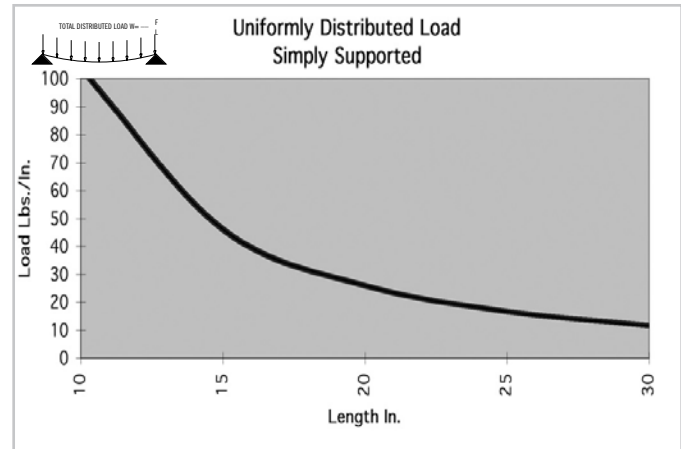
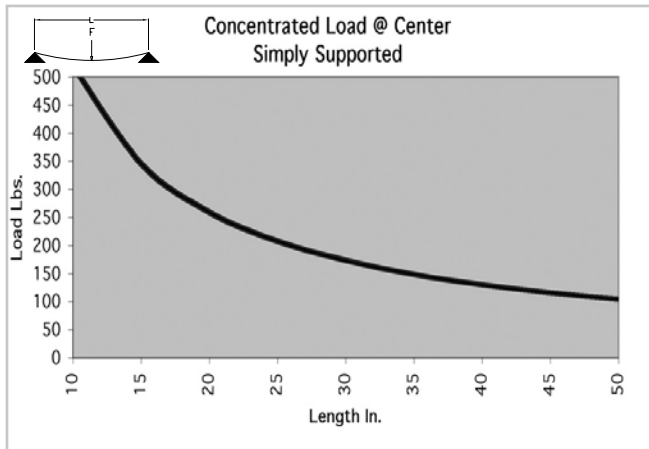


Our 1.5"x1.5" Quarter Round was designed for lighter weight and strength requirements than our 1.5" x 1.5". Applications include lighter load bearing structures, light weight frames, machine guarding, sound enclosures, small load work benches, display racks and panel mount racks. Adds aesthetics to your design.

SPECIFICATIONS

Length	20'
Weight	1.055 lbs/ft (1.57 kg/m)
Estimated Area	0.879 in ² (5.67 cm ²)
Moment of Inertia	I _x =.172 in ⁴ (7.16 cm ⁴)
		I _y =.172 in ⁴ (7.16 cm ⁴)

BEAM SELECTION BY LOAD AND LENGTH



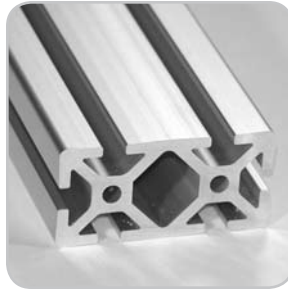
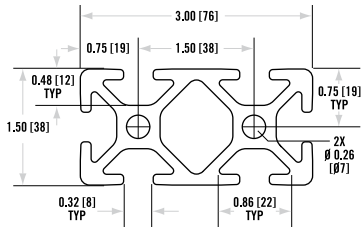
* Charts based on allowable loads related to yield strength with a margin of safety equal to five.

» For deflection equations see page 01:04.

Structural Extrusions

TS15-30 [fractional]

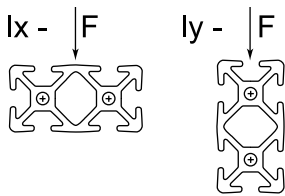
Item Number: **650008**



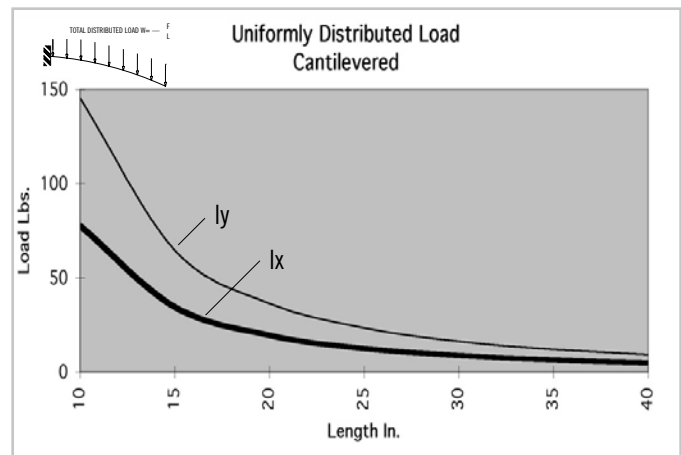
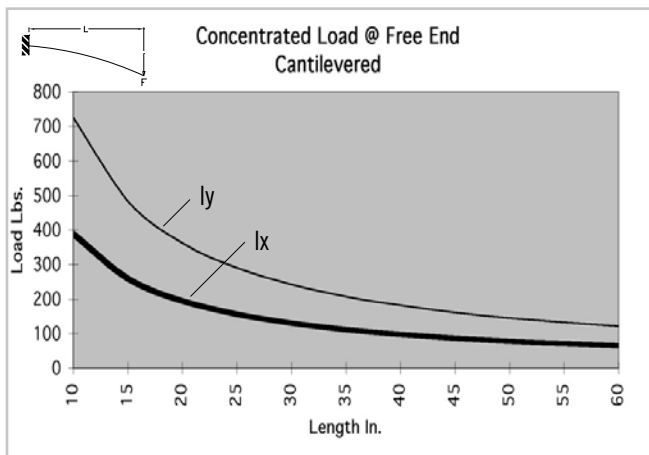
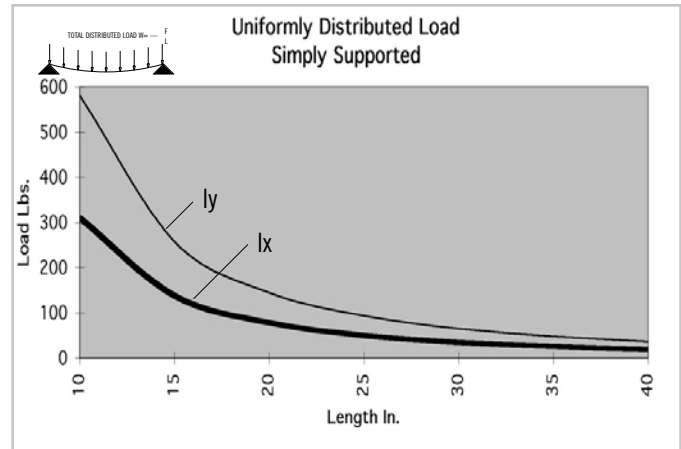
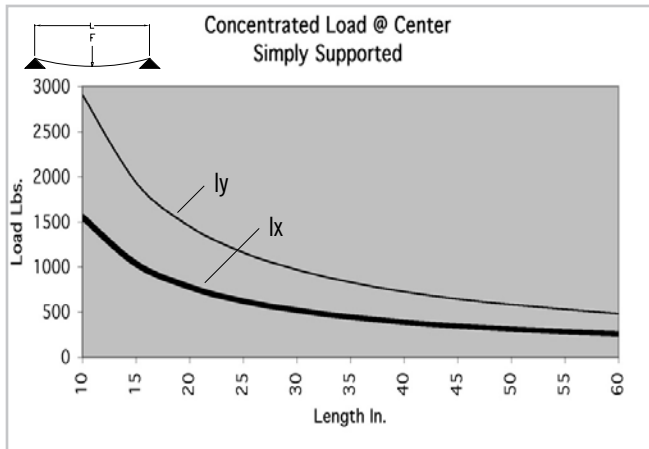
The 1.5"x3.0" shape is designed for larger and heavier structures where strength is required. Applications for 1.5"x3.0" include framing systems, roller conveyor systems, fixturing, specialty machines, supports, linear slides and automated assembly systems. This shape can be used to run air lines or as a pressure or vacuum manifold up to 150 p.s.i.

SPECIFICATIONS

Length	20'
Weight	2.586 lbs/ft (3.848 kg/m)
Estimated Area	2.155 in ² (13.903 cm ²)
Moment of Inertia	$I_x = .502 \text{ in}^4 (20.895 \text{ cm}^4)$ $I_y = 1.877 \text{ in}^4 (78.127 \text{ cm}^4)$



BEAM SELECTION BY LOAD AND LENGTH

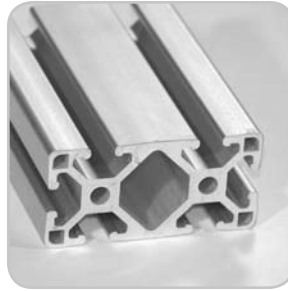
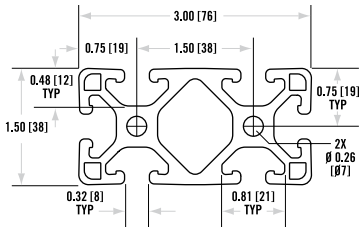


* Charts based on allowable loads related to yield strength with a margin of safety equal to five.

» For deflection equations see page 01:04.

TS15-30L [fractional]

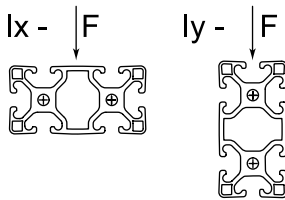
Item Number: 650009



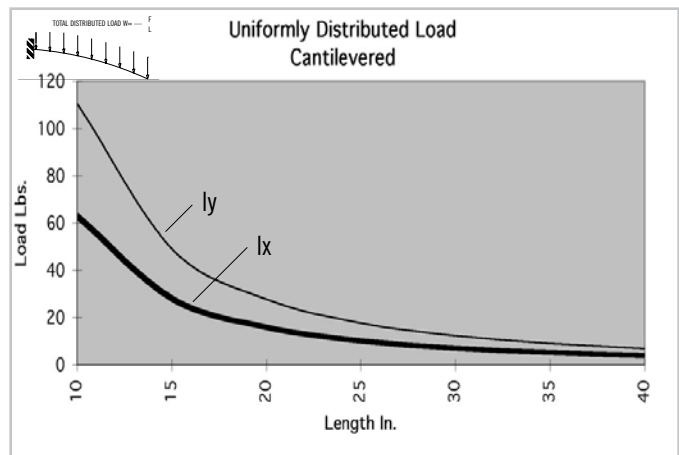
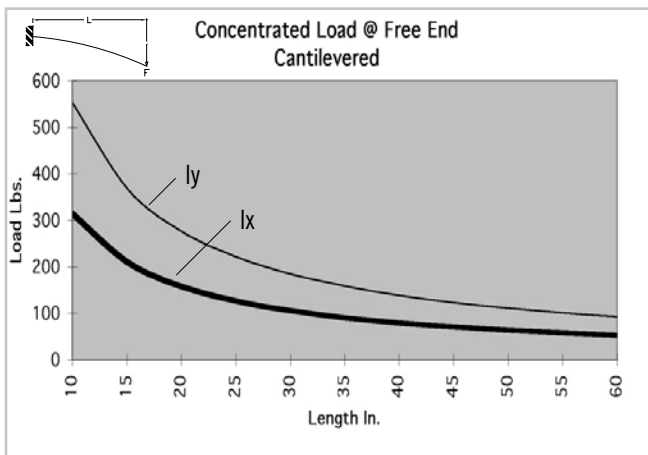
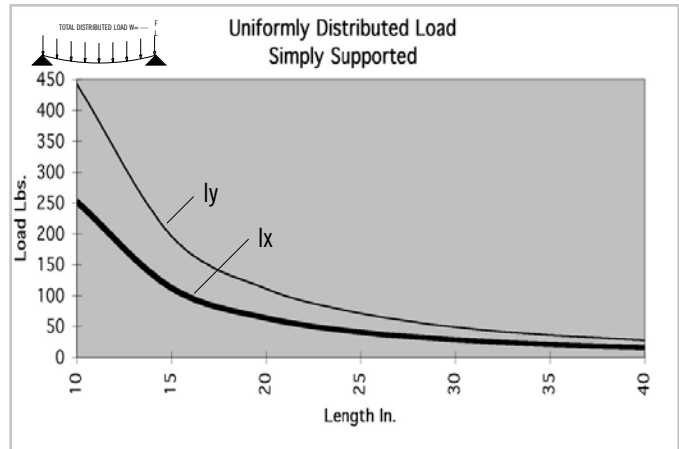
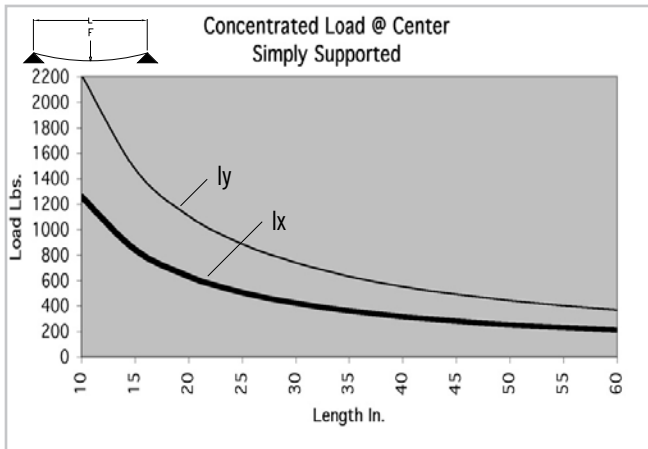
The 1.5"x3.0"L shape is designed for larger structures where strength is not critical. Applications for 1.5"x3.0"L include framing and door tracks. This shape can be used to run air lines or as a pressure or vacuum manifold up to 150 p.s.i.

SPECIFICATIONS

Length	20'
Weight	2.119 lbs/ft (3.153 kg/m)
Estimated Area	1.766 in ² (11.394 cm ²)
Moment of Inertia	lx=.408 in ⁴ (16.982 cm ⁴)
		ly=1.431 in ⁴ (59.563 cm ⁴)



BEAM SELECTION BY LOAD AND LENGTH



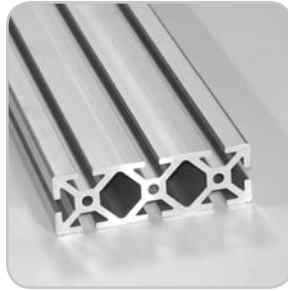
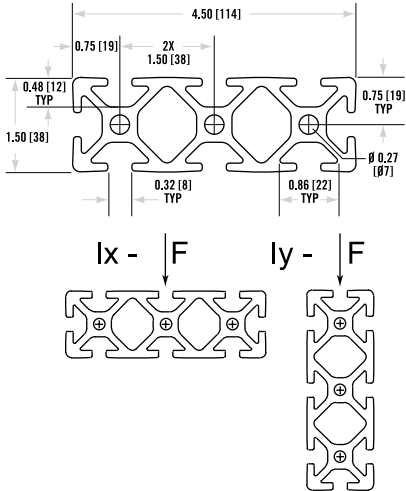
* Charts based on allowable loads related to yield strength with a margin of safety equal to five.

» For deflection equations see page 01:04.

Structural Extrusions

TS15-45 [fractional]

Item Number: **650010**

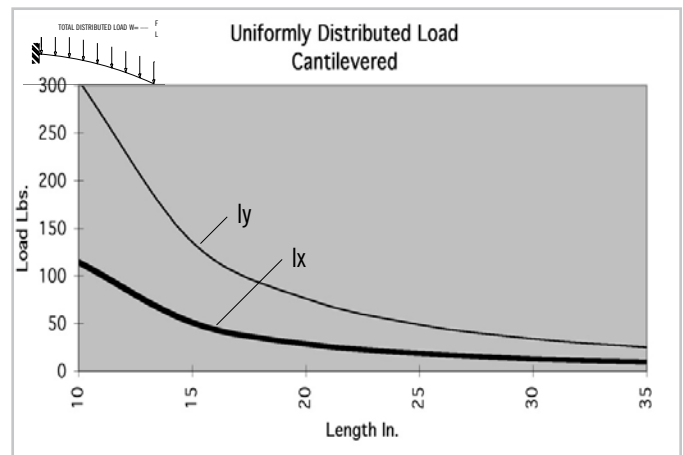
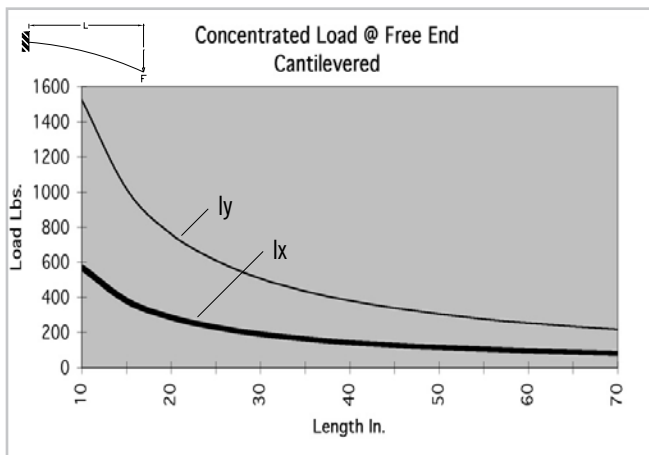
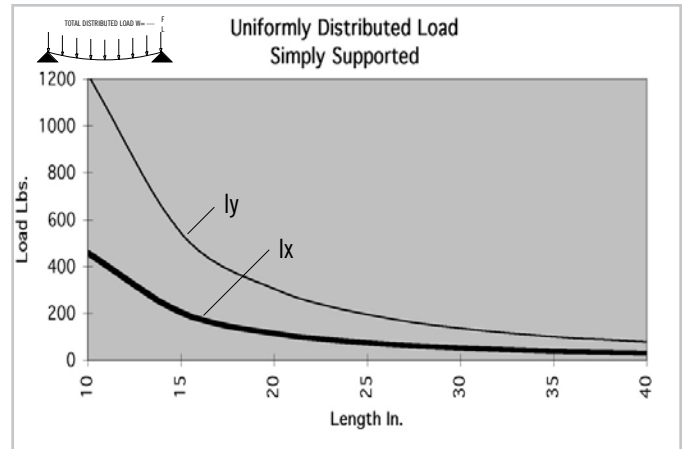
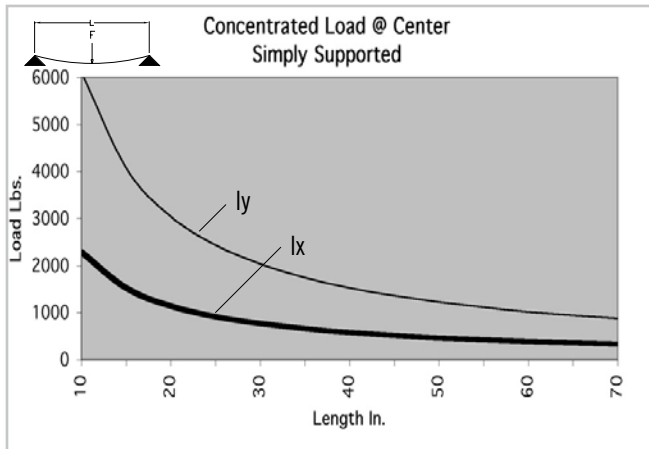


The 1.5"x4.5" shape is ideal for applications where long lengths without supporting structures are needed. Use the 1.5"x4.5" in conveyor systems, linear motion, material handling and large machine frames. The two hollow centers are good for dual air manifolds up to 150 p.s.i.

SPECIFICATIONS

Length	20'
Weight	3.74 lbs/ft (5.566 kg/m)
Estimated Area	3.113 in ² (20.084 cm ²)
Moment of Inertia	Ix= .739 in ⁴ (30.760 cm ⁴) Iy=5.913 in ⁴ (246.118 cm ⁴)

BEAM SELECTION BY LOAD AND LENGTH

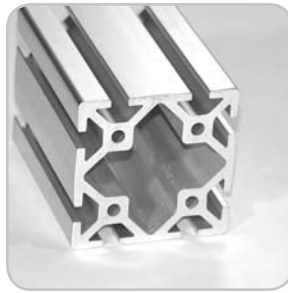
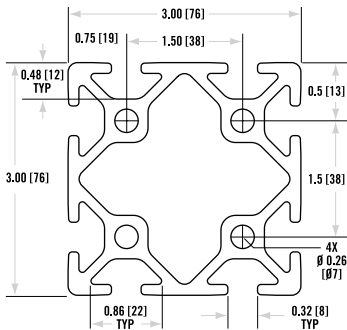


* Charts based on allowable loads related to yield strength with a margin of safety equal to five.

» For deflection equations see page 01:04.

TS30-30 [fractional]

Item Number: **650012**

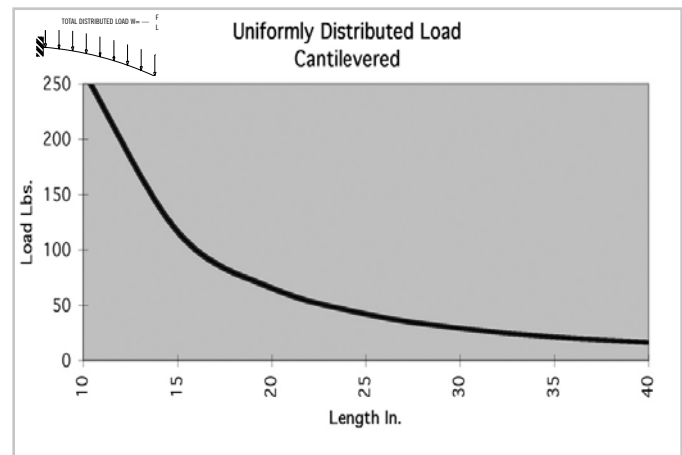
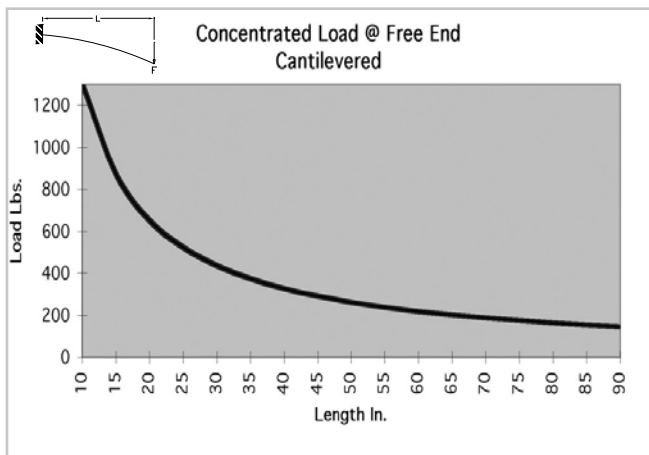
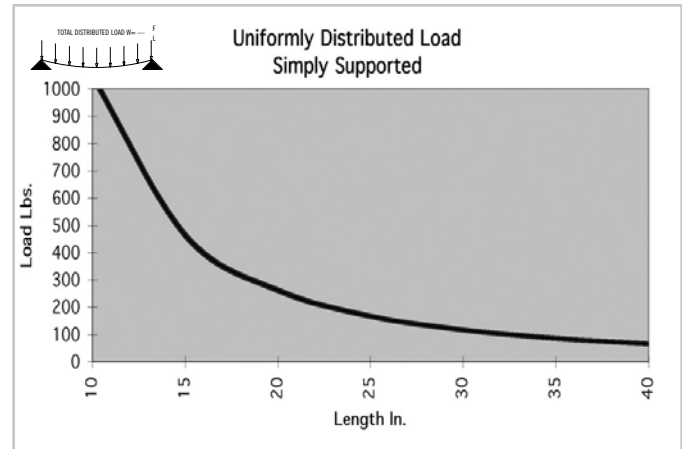
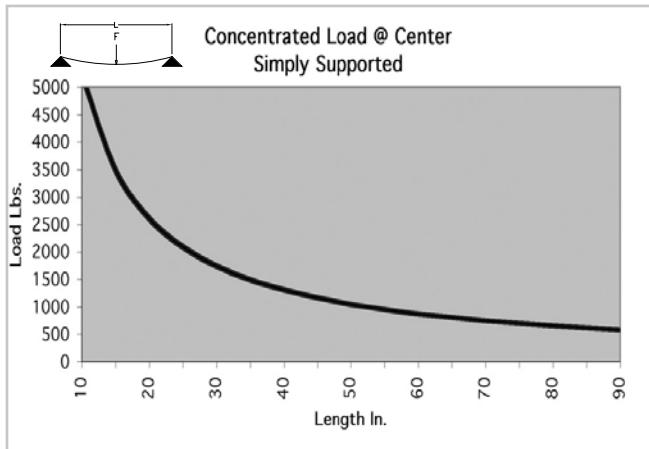


Our 3"x3" shape has a thicker wall and is designed for heavier and stronger structures where strength is critical. This shape can be used to run air lines or as a pressure or vacuum manifold up to 150 p.s.i.

SPECIFICATIONS

Length	20'
Weight	4.027 lbs/ft (5.993 kg/m)
Estimated Area	3.356 in ² (21.652 cm ²)
Moment of Inertia	I _x =3.379 in ⁴ (140.645 cm ⁴) I _y =3.379 in ⁴ (140.645 cm ⁴)

BEAM SELECTION BY LOAD AND LENGTH



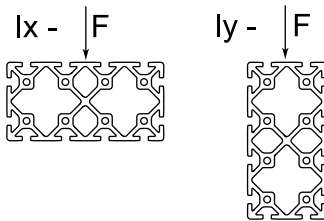
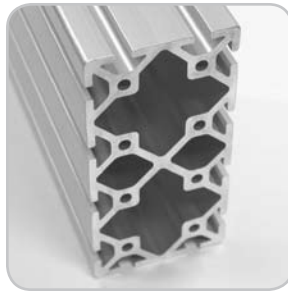
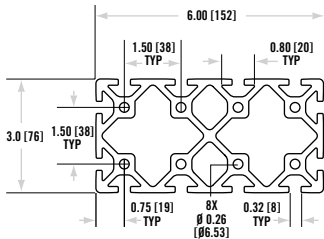
* Charts based on allowable loads related to yield strength with a margin of safety equal to five.

» For deflection equations see page 01:04.

Structural Extrusions

TS30-60 [fractional]

Item Number: 650042

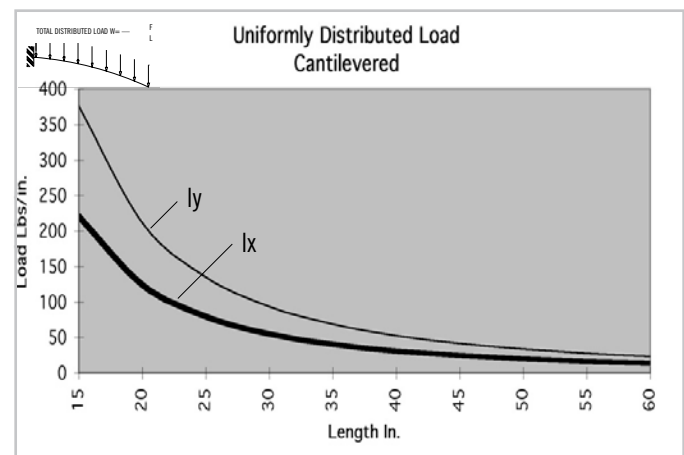
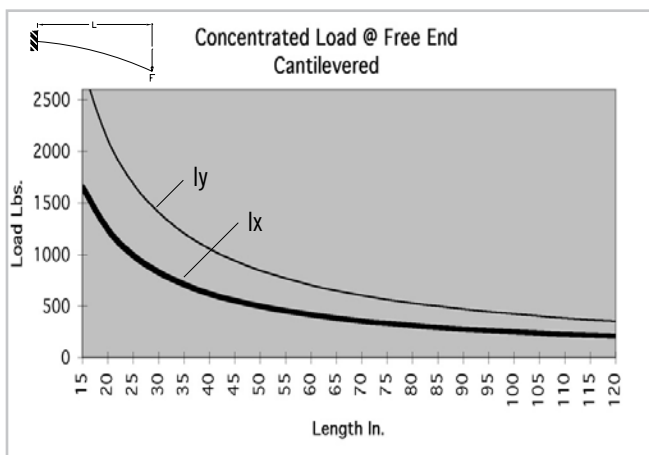
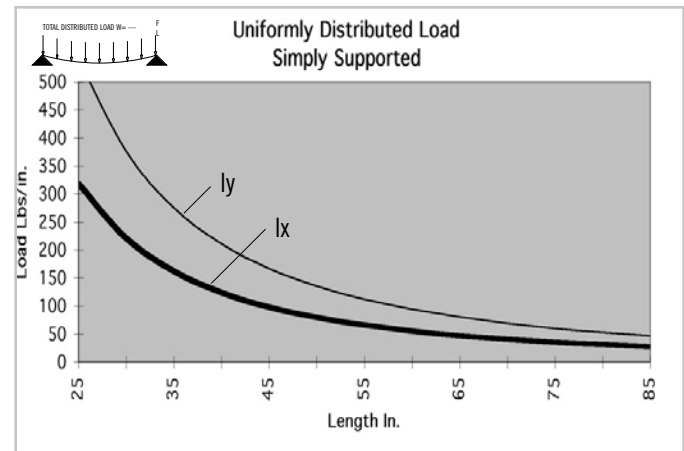
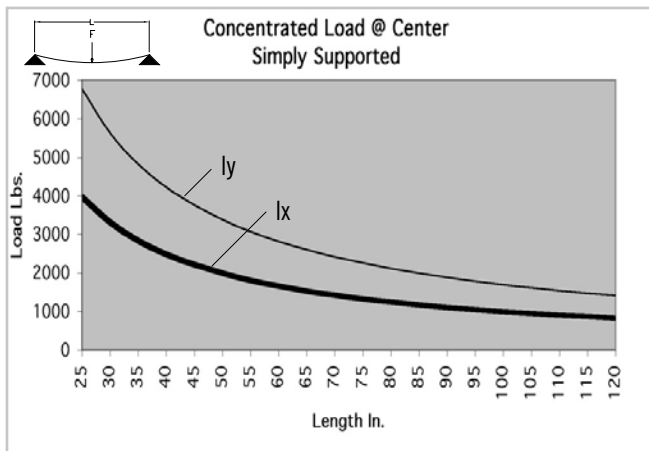


Our 3"x6" shape is the largest shape available. It was created for structures that require very high load requirements. The 3"x6" shape is ideal for heavy duty machine bases, support structures, stairways, mezzanines and anywhere where maximum structural strength is needed. The 3"x6" shape also has four hollow centers that will accommodate multiple air manifolds. Pressure up to 150 p.s.i.

SPECIFICATIONS

Length	20'
Weight	7.462 lbs/ft (11.105 kg/m)
Estimated Area	6.219 in ² (40.123 cm ²)
Moment of Inertia	I _x =6.4300 in ⁴ (267.637 cm ⁴)
		I _y =21.8559 in ⁴ (909.711 cm ⁴)

BEAM SELECTION BY LOAD AND LENGTH



* Charts based on allowable loads related to yield strength with a margin of safety equal to five.

» For deflection equations see page 01:04.

03 | TLOTS BRACKETS

Corner brackets and joining plates allow you to connect TLOTS extrusions to one another without having to machine your parts. All you need to do is cut the TLOTS to the desired length and bolt the extrusions together using fasteners and corner brackets or joining plates.

10 SERIES BOLT PATTERN DIMENSIONS

The following standards for hole sizes and centerlines apply to most Joining Plates and Inside Corner Brackets. Most 10 Series Flat Joining Plates, Strips, and Inside Corner Brackets are made of .188" thick 6063 aluminum alloy, clear anodize with .257" diameter holes on 1.0" centerlines except where noted.

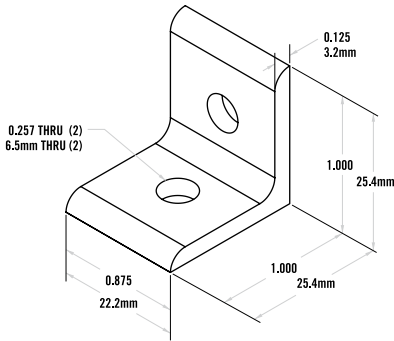
15 SERIES BOLT PATTERN DIMENSIONS

The following standards for hole sizes and centerlines apply to most 15 Series Joining Plates and Inside Corner brackets. Most 15 Series Flat Joining Plates, Strips, and Inside Corner Brackets are made of .25" thick 6063 aluminum alloy, clear anodize with .328" diameter holes on 1.50" centerlines except where noted.

TSLOTS Brackets

10 SERIES / 25 SERIES - 1/8" 2 Hole Inside Corner Bracket

Item Number: **653047**

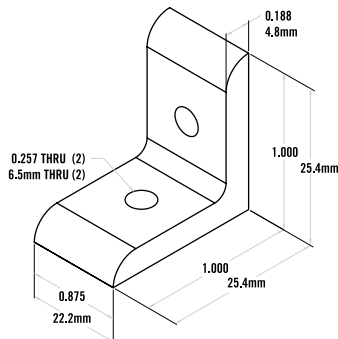


RECOMMENDED FASTENERS

QTY	DESCRIPTION	PART#
2	1/4 - 20 x 3/8" FBHSCS & Economy T-Nut	651166
2	M6 x 12mm BHSCS & Economy T-Nut	651503

10 SERIES / 25 SERIES - 3/16" 2 Hole Inside Corner Bracket

Item Number: **653056**

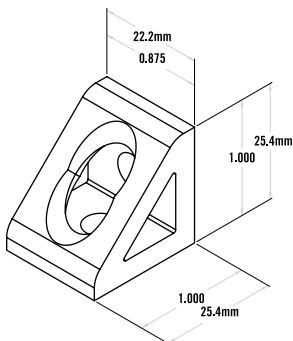


RECOMMENDED FASTENERS

QTY	DESCRIPTION	PART#
2	1/4 - 20 x 1/2" BHSCS & Economy T-Nut	651171
2	M6 x 12mm BHSCS & Economy T-Nut	651503

10 SERIES / 25 SERIES - 2 Hole Inside Corner Gusset

Item Number: **653069**



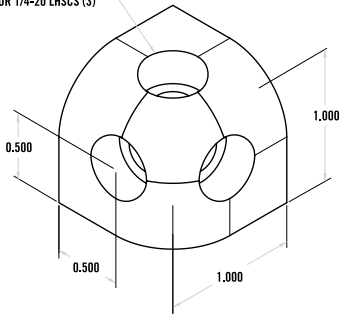
RECOMMENDED FASTENERS

QTY	DESCRIPTION	PART#
2	1/4 - 20 x 1/2" BHSCS & Economy T-Nut	651171
2	M6 x 12mm BHSCS & Economy T-Nut	651503

10 SERIES - Rounded Tri Corner

Item Number: **653034**

DRILL AND C-BORE
FOR 1/4-20 LHSCS (3)



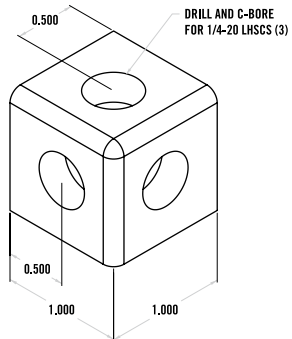
RECOMMENDED FASTENERS

QTY	DESCRIPTION	PART#
3	1/4 - 20 x 1" LHSCS	651003

» Tap service required. See page 11:06.

10 SERIES - Square Tri Corner

Item Number: **653035**



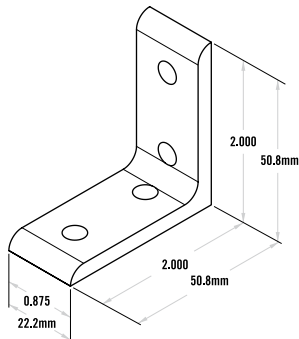
RECOMMENDED FASTENERS

QTY	DESCRIPTION	PART#
3	1/4 - 20 x 1" LHSCS	651003

» Tap service required. See page 11:06.

10 SERIES / 25 SERIES - 4 Hole Inside Corner Bracket

Item Number: **653052**



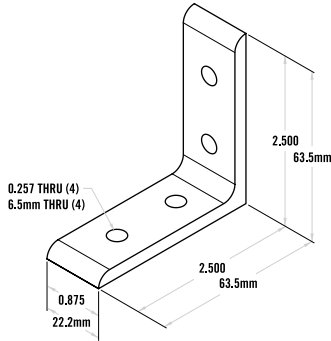
RECOMMENDED FASTENERS

QTY	DESCRIPTION	PART#
4	1/4 - 20 x 1/2" BHSCS & Economy T-Nut	651171
or 2	1/4 - 20 x 1/2" BHSCS & Double Economy T-Nut	651490
4	M6 x 12mm BHSCS & Economy T-Nut	651503
or 2	M6 x 12mm BHSCS & Double Economy T-Nut	651519

TSLOTS Brackets

10 SERIES / 25 SERIES - 4 Hole Inside Corner Bracket

Item Number: **653045**

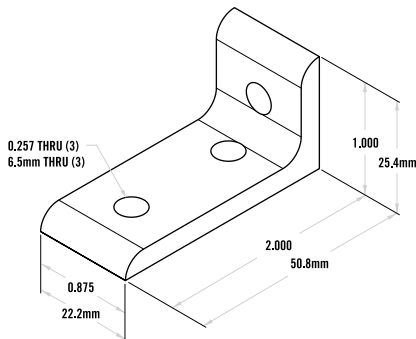


RECOMMENDED FASTENERS

QTY	DESCRIPTION	PART#
4	1/4 - 20 x 1/2" FBHSCS & Economy T-Nut	651130
or 2	1/4 - 20 x 1/2" FBHSCS & Double Economy T-Nut	651142
4	M6 x 12mm BHSCS & Economy T-Nut	651503
or 2	M6 x 12mm BHSCS & Double Economy T-Nut	651519

10 SERIES / 25 SERIES - 3 Hole Inside Corner Bracket

Item Number: **653107**

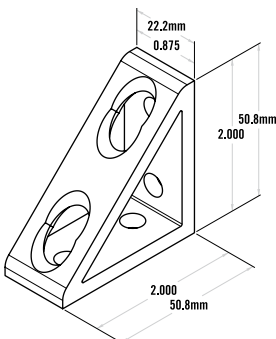


RECOMMENDED FASTENERS

QTY	DESCRIPTION	PART#
3	1/4-20 x 1/2" BHSCS & Economy T-Nut	651171
or 1	1/4-20 x 1/2" BHSCS & Double Economy T-Nut	651490
& 1	1/4-20 x 1/2" BHSCS & Economy T-Nut	651171
3	M6 x 12mm BHSCS & Economy T-Nut	651503
or 1	M6 x 12mm BHSCS & Double Economy T-Nut	651519
& 1	M6 x 12mm BHSCS & Economy T-Nut	651503

10 SERIES / 25 SERIES - 4 Hole Inside Corner Gusset

Item Number: **653073**

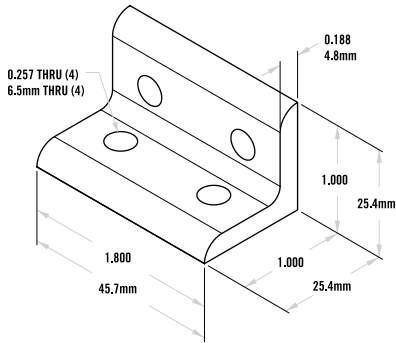


RECOMMENDED FASTENERS

QTY	DESCRIPTION	PART#
4	1/4-20 x 1/2" BHSCS & Economy T-Nut	651171
or 2	1/4-20 x 1/2" BHSCS & Double Economy T-Nut	651490
4	M6 x 12mm BHSCS & Economy T-Nut	651503
or 2	M6 x 12mm BHSCS & Double Economy T-Nut	651519

10 SERIES / 25 SERIES - 4 Hole Inside Corner Bracket

Item Number: **653050**

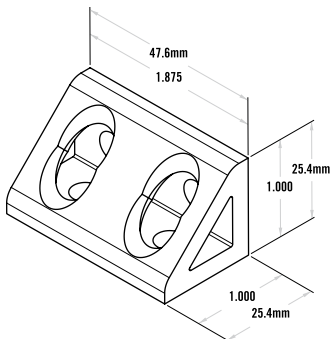


RECOMMENDED FASTENERS

QTY	DESCRIPTION	PART#
4	1/4-20 x 1/2" BHSCS & Economy T-Nut	651171
or 2	1/4-20 x 1/2" BHSCS & Double Economy T-Nut	651490
4	M6 x 12mm BHSCS & Economy T-Nut	651503
or 2	M6 x 12mm BHSCS & Double Economy T-Nut	651519

10 SERIES / 25 SERIES - 4 Hole Inside Corner Gusset

Item Number: **653071**

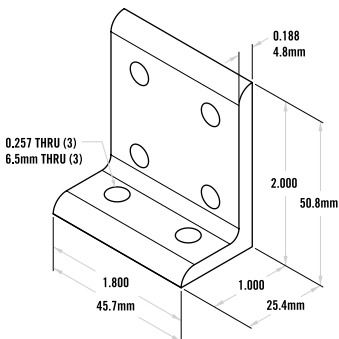


RECOMMENDED FASTENERS

QTY	DESCRIPTION	PART#
4	1/4-20 x 1/2" BHSCS & Economy T-Nut	651171
or 2	1/4-20 x 1/2" BHSCS & Double Economy T-Nut	651490
4	M6 x 12mm BHSCS & Economy T-Nut	651503
or 2	M6 x 12mm BHSCS & Double Economy T-Nut	651519

10 SERIES / 25 SERIES - 6 Hole Inside Corner Bracket

Item Number: **653106**



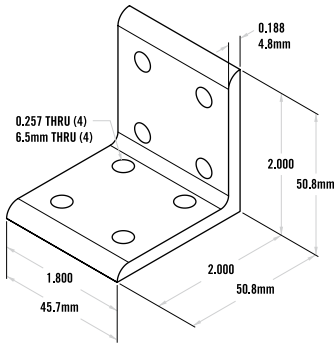
RECOMMENDED FASTENERS

QTY	DESCRIPTION	PART#
6	1/4 - 20 x 1/2" BHSCS & Economy T-Nut	651171
or 2	1/4 - 20 x 1/2" BHSCS & Double Economy T-Nut	651490
& 2	1/4 - 20 x 1/2" BHSCS & Economy T-Nut	651171
6	M6 x 12mm BHSCS & Economy T-Nut	651503
or 2	M6 x 12mm BHSCS & Double Economy T-Nut	651519
& 2	M6 x 12mm BHSCS & Economy T-Nut	651503

TSLOTS Brackets

10 SERIES / 25 SERIES - 8 Hole Inside Corner Bracket

Item Number: **653051**

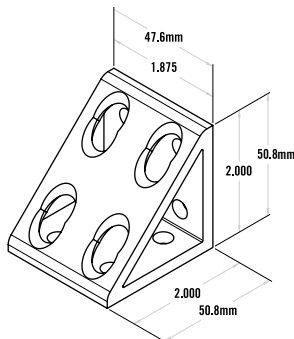


RECOMMENDED FASTENERS

QTY	DESCRIPTION	PART#
8	1/4-20 x 1/2" BHSCS & Economy T-Nut	651171
or 4	1/4-20 x 1/2" BHSCS & Double Economy T-Nut	651490
8	M6 x 12mm BHSCS & Economy T-Nut	651503
or 4	M6 x 12mm BHSCS & Double Economy T-Nut	651519

10 SERIES / 25 SERIES - 8 Hole Inside Corner Gusset

Item Number: **653075**

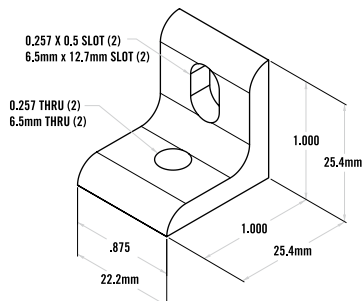


RECOMMENDED FASTENERS

QTY	DESCRIPTION	PART#
8	1/4-20 x 1/2" BHSCS & Economy T-Nut	651171
or 4	1/4-20 x 1/2" BHSCS & Double Economy T-Nut	651490
8	M6 x 12mm BHSCS & Economy T-Nut	651503
or 4	M6 x 12mm BHSCS & Double Economy T-Nut	651519

10 SERIES / 25 SERIES - 2 Hole Slotted Corner Bracket

Item Number: **653126**

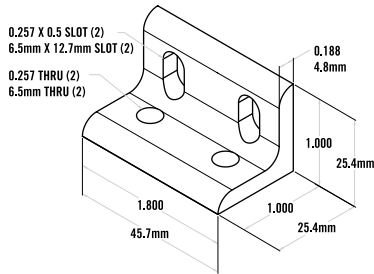


RECOMMENDED FASTENERS

QTY	DESCRIPTION	PART#
2	1/4-20 x 1/2" BHSCS & Economy T-Nut	651171
2	M6 x 12mm BHSCS & Economy T-Nut	651503

10 SERIES / 25 SERIES - 4 Hole Slotted Corner Bracket

Item Number: **653125**

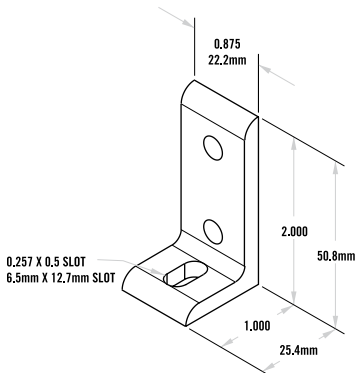


RECOMMENDED FASTENERS

QTY	DESCRIPTION	PART#
4	1/4-20 x 1/2" BHSCS & Economy T-Nut	651171
4	M6 x 12mm BHSCS & Economy T-Nut	651503

10 SERIES / 25 SERIES – 3 Hole Slotted Corner Bracket

Item Number: **653123**

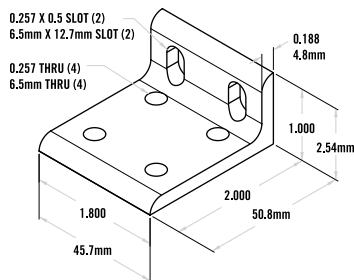


RECOMMENDED FASTENERS

QTY	DESCRIPTION	PART#
3	1/4-20 x 1/2" BHSCS & Economy T-Nut	651171
or 1	1/4-20 x 1/2" BHSCS & Double Economy T-Nut	651490
& 1	1/4-20 x 1/2" BHSCS & Economy T-Nut	651171
3	M6 x 12mm BHSCS & Economy T-Nut	651503
or 1	M6 x 12mm BHSCS & Double Economy T-Nut	651519
& 1	M6 x 12mm BHSCS & Economy T-Nut	651503

10 SERIES / 25 SERIES - 6 Hole Slotted Inside Corner Bracket

Item Number: **653131**



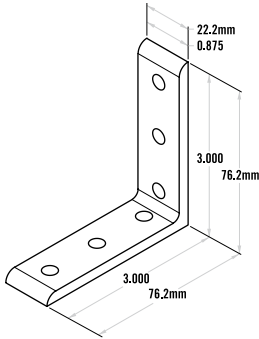
RECOMMENDED FASTENERS

QTY	DESCRIPTION	PART#
6	1/4-20 x 1/2" BHSCS & Economy T-Nut	651171
or 2	1/4-20 x 1/2" BHSCS & Double Economy T-Nut	651490
& 2	1/4-20 x 1/2" BHSCS & Economy T-Nut	651171
6	M6 x 12mm BHSCS & Economy T-Nut	651503
or 2	M6 x 12mm BHSCS & Double Economy T-Nut	651519
& 2	M6 x 12mm BHSCS & Economy T-Nut	651503

TSLOTS Brackets

10 SERIES / 25 SERIES - 6 Hole Inside Corner Bracket

Item Number: **653012**

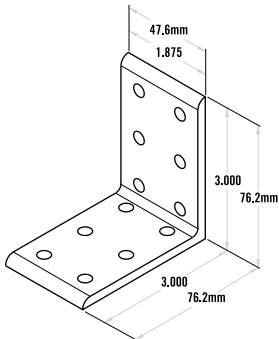


RECOMMENDED FASTENERS

QTY	DESCRIPTION	PART#
6	1/4-20 x 1/2" BHSCS & Economy T-Nut	651171
2	1/4 - 20 x 1/2" FBHSCS & Triple Economy T-Nut	651144
6	M6 x 12mm BHSCS & Economy T-Nut	651503
or 2	M6 x 12mm BHSCS & Double Economy T-Nut	651519
& 2	M6 x 12mm BHSCS & Economy T-Nut	651503

10 SERIES / 25 SERIES - 12 Hole Inside Corner Bracket

Item Number: **653013**

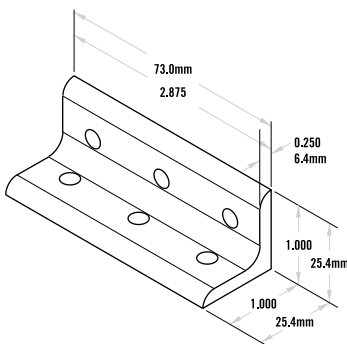


RECOMMENDED FASTENERS

QTY	DESCRIPTION	PART#
12	1/4-20 x 1/2" BHSCS & Economy T-Nut	651171
4	1/4 - 20 x 1/2" FBHSCS & Triple Economy T-Nut	651144
12	M6 x 12mm BHSCS & Economy T-Nut	651503
or 4	M6 x 12mm BHSCS & Double Economy T-Nut	651519
& 4	M6 x 12mm BHSCS & Economy T-Nut	651503

10 SERIES / 25 SERIES - 6 Hole Inside Corner Bracket

Item Number: **653014**

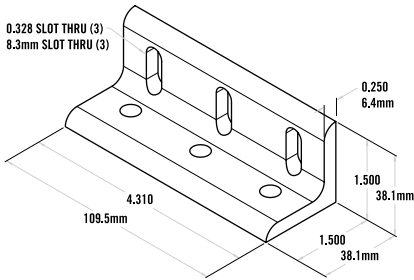


RECOMMENDED FASTENERS

QTY	DESCRIPTION	PART#
6	1/4-20 x 1/2" FBHSCS & Economy T-Nut	651171
2	M6 x 12mm BHSCS & Economy T-Nut	651503

10 SERIES / 25 SERIES - 6 Hole Slotted Corner Bracket

Item Number: **653127**

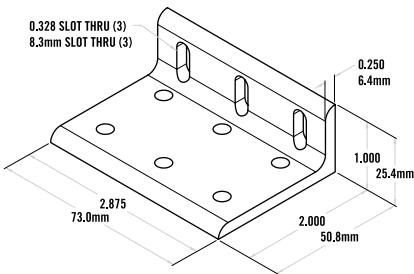


RECOMMENDED FASTENERS

QTY	DESCRIPTION	PART#
6	1/4-20 x 1/2" FBHSCS & Economy T-Nut	651171
4	M6 x 12mm BHSCS & Economy T-Nut	651503

10 SERIES / 25 SERIES – 9 Hole Slotted Corner Bracket

Item Number: **653124**

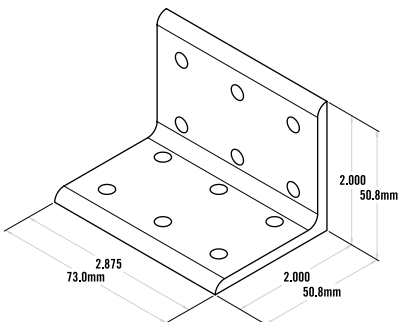


RECOMMENDED FASTENERS

QTY	DESCRIPTION	PART#
9	1/4-20 x 1/2" BHSCS & Economy T-Nut	651171
or 3	1/4-20 x 1/2" BHSCS & Double Economy T-Nut	651490
& 3	1/4-20 x 1/2" BHSCS & Economy T-Nut	651171
9	M6 x 12mm BHSCS & Economy T-Nut	651503
or 3	M6 x 12mm BHSCS & Double Economy T-Nut	651519
& 3	M6 x 12mm BHSCS & Economy T-Nut	651503

10 SERIES / 25 SERIES - 12 Hole Inside Corner Bracket

Item Number: **653015**



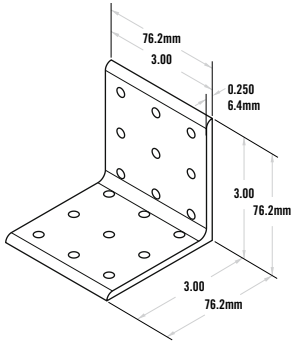
RECOMMENDED FASTENERS

QTY	DESCRIPTION	PART#
12	1/4-20 x 1/2" BHSCS & Economy T-Nut	651171
or 6	1/4-20 x 1/2" BHSCS & Double Economy T-Nut	651490
12	M6 x 12mm BHSCS & Economy T-Nut	651503
or 6	M6 x 12mm BHSCS & Double Economy T-Nut	651519

TSLOTS Brackets

10 SERIES / 25 SERIES - 18 Hole Inside Corner Bracket

Item Number: **653016**

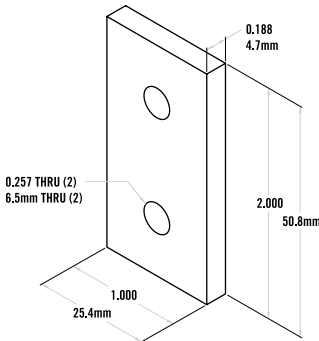


RECOMMENDED FASTENERS

QTY	DESCRIPTION	PART#
18	1/4-20 x 1/2" FBHSCS & Economy T-Nut	651171
or 6	1/4 - 20 x 1/2" FBHSCS & Triple Economy T-Nut	651144
18	M6 x 12mm BHSCS & Economy T-Nut	651503

10 SERIES / 25 SERIES - 2 Hole Joining Strip

Item Number: **653046**

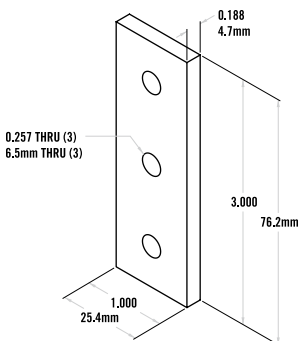


RECOMMENDED FASTENERS

QTY	DESCRIPTION	PART#
2	1/4-20 x 1/2" FBHSCS & Economy T-Nut	651130
2	M6 x 12mm BHSCS & Economy T-Nut	651503

10 SERIES / 25 SERIES - 3 Hole Joining Strip

Item Number: **653055**

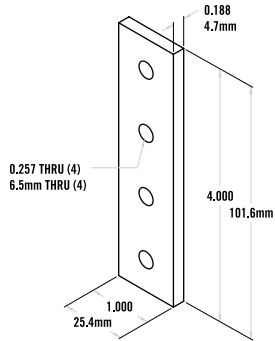


RECOMMENDED FASTENERS

QTY	DESCRIPTION	PART#
3	1/4-20 x 1/2" FBHSCS & Economy T-Nut	651130
or 1	1/4-20 x 1/2" FBHSCS & Double Economy T-Nut	651142
& 1	1/4-20 x 1/2" FBHSCS & Economy T-Nut	651130
3	M6 x 12mm BHSCS & Economy T-Nut	651503
or 1	M6 x 12mm BHSCS & Double Economy T-Nut	651519
& 1	M6 x 12mm BHSCS & Economy T-Nut	651503

10 SERIES / 25 SERIES - 4 Hole Joining Strip

Item Number: **653054**

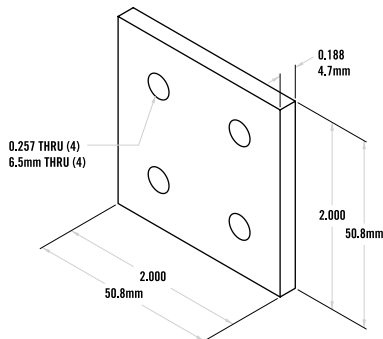


RECOMMENDED FASTENERS

QTY	DESCRIPTION	PART#
4	1/4 - 20 x 1/2" FBHSCS & Economy T-Nut	651130
or 2	1/4 - 20 x 1/2" FBHSCS & Double Economy T-Nut	651142
4	M6 x 12mm BHSCS & Economy T-Nut	651503
or 2	M6 x 12mm BHSCS & Double Economy T-Nut	651519

10 SERIES / 25 SERIES - 4 Hole Joining Plate

Item Number: **653100**

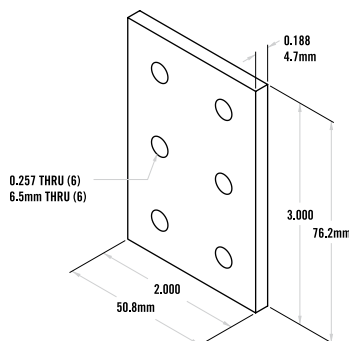


RECOMMENDED FASTENERS

QTY	DESCRIPTION	PART#
4	1/4 - 20 x 1/2" FBHSCS & Economy T-Nut	651130
or 2	1/4 - 20 x 1/2" FBHSCS & Double Economy T-Nut	651142
4	M6 x 12mm BHSCS & Economy T-Nut	651503
or 2	M6 x 12mm BHSCS & Double Economy T-Nut	651519

10 SERIES / 25 SERIES - 6 Hole Joining Plate

Item Number: **653099**



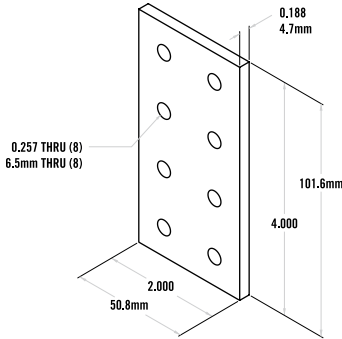
RECOMMENDED FASTENERS

QTY	DESCRIPTION	PART#
6	1/4-20 x 1/2" FBHSCS & Economy T-Nut	651130
or 2	1/4 - 20 x 1/2" FBHSCS & Triple Economy T-Nut	651144
6	M6 x 12mm BHSCS & Economy T-Nut	651503

TSLOTS Brackets

10 SERIES / 25 SERIES - 8 Hole Joining Plate

Item Number: **653098**

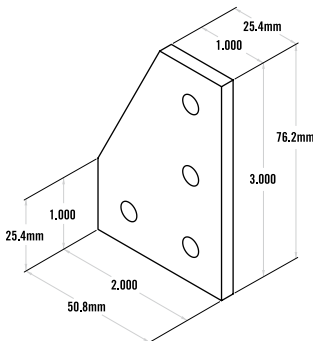


RECOMMENDED FASTENERS

QTY	DESCRIPTION	PART#
4	1/4 - 20 x 1/2" FBHSCS & Economy T-Nut	651130
or 2	1/4 - 20 x 1/2" FBHSCS & Double Economy T-Nut	651142
4	M6 x 12mm BHSCS & Economy T-Nut	651503
or 2	M6 x 12mm BHSCS & Double Economy T-Nut	651519

10 SERIES / 25 SERIES - 4 Hole 90° Joining Plate

Item Number: **653084**

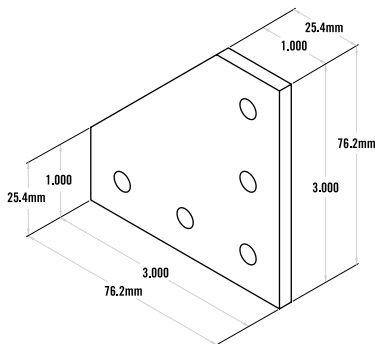


RECOMMENDED FASTENERS

QTY	DESCRIPTION	PART#
4	1/4 - 20 x 1/2" FBHSCS & Economy T-Nut	651130
or 2	1/4 - 20 x 1/2" FBHSCS & Double Economy T-Nut	651142
4	M6 x 12mm BHSCS & Economy T-Nut	651503
or 2	M6 x 12mm BHSCS & Double Economy T-Nut	651519

10 SERIES / 25 SERIES - 5 Hole 90° Joining Plate

Item Number: **653085**

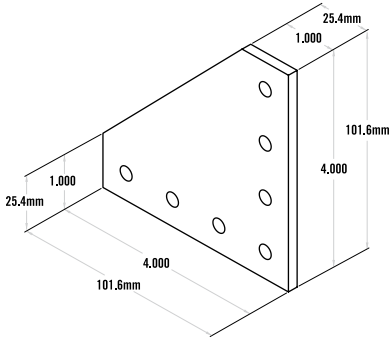


RECOMMENDED FASTENERS

QTY	DESCRIPTION	PART#
5	1/4-20 x 1/2" FBHSCS & Economy T-Nut	651130
or 1	1/4-20 x 1/2" FBHSCS & Double Economy T-Nut	651142
& 1	1/4-20 x 1/2" FBHSCS & Triple Economy T-Nut	651144
5	M6 x 12mm BHSCS & Economy T-Nut	651503
or 2	M6 x 12mm BHSCS & Double Economy T-Nut	651519
& 1	M6 x 12mm BHSCS & Economy T-Nut	651503

10 SERIES / 25 SERIES - 7 Hole 90° Joining Plate

Item Number: **653086**

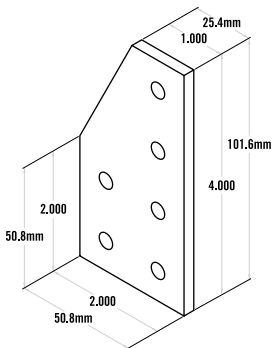


RECOMMENDED FASTENERS

QTY	DESCRIPTION	PART#
7	1/4-20 x 1/2" FBHSCS & Economy T-Nut	651130
or 2	1/4-20 x 1/2" FBHSCS & Triple Economy T-Nut	651144
& 1	1/4-20 x 1/2" FBHSCS & Economy T-Nut	651130
7	M6 x 12mm BHSCS & Economy T-Nut	651503
or 3	M6 x 12mm BHSCS & Double Economy T-Nut	651519
& 1	M6 x 12mm BHSCS & Economy T-Nut	651503

10 SERIES / 25 SERIES – 6 Hole 90° Joining Plate

Item Number: **653057**

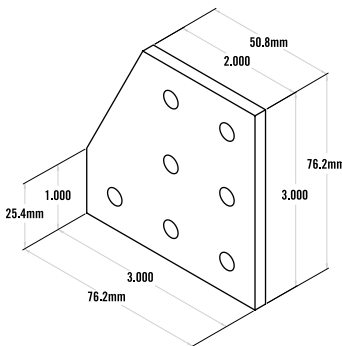


RECOMMENDED FASTENERS

QTY	DESCRIPTION	PART#
6	1/4-20 x 1/2" FBHSCS & Economy T-Nut	651130
or 3	1/4-20 x 1/2" FBHSCS & Double Economy T-Nut	651142
6	M6 x 12mm BHSCS & Economy T-Nut	651503
or 3	M6 x 12mm BHSCS & Double Economy T-Nut	651519

10 SERIES / 25 SERIES - 7 Hole 90° Joining Plate

Item Number: **653066**



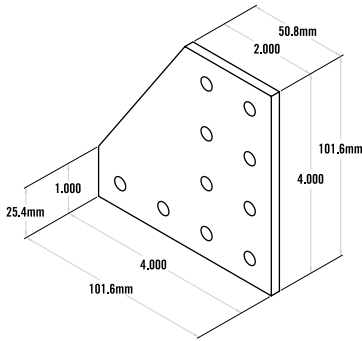
RECOMMENDED FASTENERS

QTY	DESCRIPTION	PART#
7	1/4-20 x 1/2" FBHSCS & Economy T-Nut	651130
or 2	1/4-20 x 1/2" FBHSCS & Double Economy T-Nut	651142
& 1	1/4-20 x 1/2" FBHSCS & Triple Economy T-Nut	651144
7	M6 x 12mm BHSCS & Economy T-Nut	651503
or 3	M6 x 12mm BHSCS & Double Economy T-Nut	651519
& 1	M6 x 12mm BHSCS & Economy T-Nut	651503

TSLOTS Brackets

10 SERIES / 25 SERIES - 10 Hole 90° Joining Plate

Item Number: **653064**

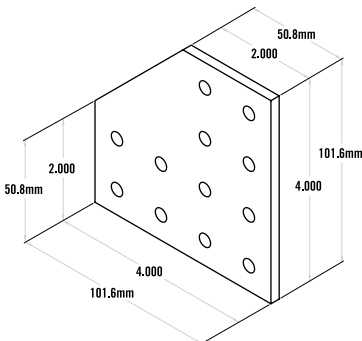


RECOMMENDED FASTENERS

QTY	DESCRIPTION	PART#
10	1/4 - 20 x 1/2" FBHSCS & Economy T-Nut	651130
or 2	1/4 - 20 x 1/2" FBHSCS & Double Economy T-Nut	651142
& 2	1/4 - 20 x 1/2" FBHSCS & Triple Economy T-Nut	651144
10	M6 x 12mm BHSCS & Economy T-Nut	651503

10 SERIES / 25 SERIES - 12 Hole 90° Joining Plate

Item Number: **653065**

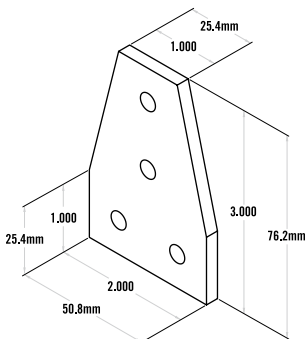


RECOMMENDED FASTENERS

QTY	DESCRIPTION	PART#
12	1/4 - 20 x 1/2" FBHSCS & Economy T-Nut	651130
or 6	1/4 - 20 x 1/2" FBHSCS & Double Economy T-Nut	651142
12	M6 x 12mm BHSCS & Economy T-Nut	651503
or 6	M6 x 12mm BHSCS & Double Economy T-Nut	651519

10 SERIES / 25 SERIES - 4 Hole Joining Plate

Item Number: **653078**

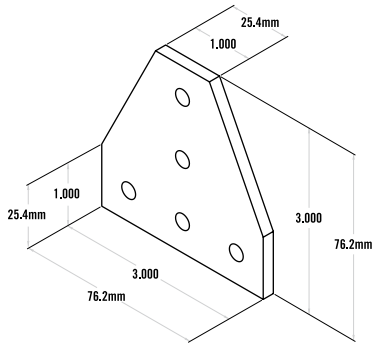


RECOMMENDED FASTENERS

QTY	DESCRIPTION	PART#
4	1/4-20 x 1/2" FBHSCS & Economy T-Nut	651130
or 2	1/4-20 x 1/2" FBHSCS & Double Economy T-Nut	651142
4	M6 x 12mm BHSCS & Economy T-Nut	651503
or 2	M6 x 12mm BHSCS & Double Economy T-Nut	651519

10 SERIES / 25 SERIES - 5 Hole Tee Joining Plate

Item Number: **653077**

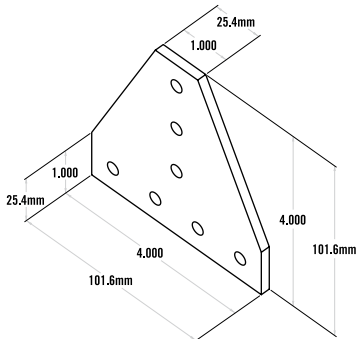


RECOMMENDED FASTENERS

QTY	DESCRIPTION	PART#
5	1/4-20 x 1/2" FBHSCS & Economy T-Nut	651130
or 1	1/4-20 x 1/2" FBHSCS & Double Economy T-Nut	651142
& 1	1/4-20 x 1/2" FBHSCS & Triple Economy T-Nut	651144
5	M6 x 12mm BHSCS & Economy T-Nut	651503
or 2	M6 x 12mm BHSCS & Double Economy T-Nut	651519
& 1	M6 x 12mm BHSCS & Economy T-Nut	651503

10 SERIES / 25 SERIES – 7 Hole Tee Joining Plate

Item Number: **653049**

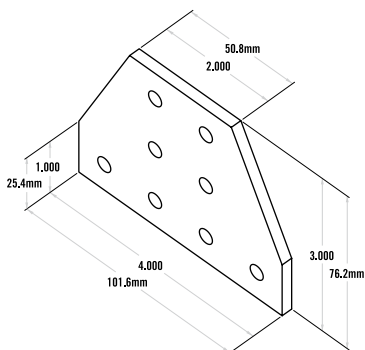


RECOMMENDED FASTENERS

QTY	DESCRIPTION	PART#
7	1/4-20 x 1/2" FBHSCS & Economy T-Nut	651130
or 2	1/4-20 x 1/2" FBHSCS & Double Economy T-Nut	651142
& 1	1/4-20 x 1/2" FBHSCS & Triple Economy T-Nut	651144
7	M6 x 12mm BHSCS & Economy T-Nut	651503
or 3	M6 x 12mm BHSCS & Double Economy T-Nut	651519
& 1	M6 x 12mm BHSCS & Economy T-Nut	651503

10 SERIES / 25 SERIES - 8 Hole Tee Joining Plate

Item Number: **653089**



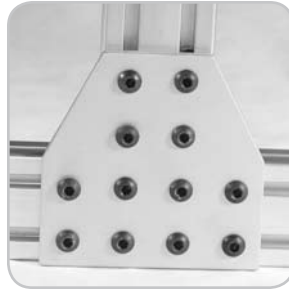
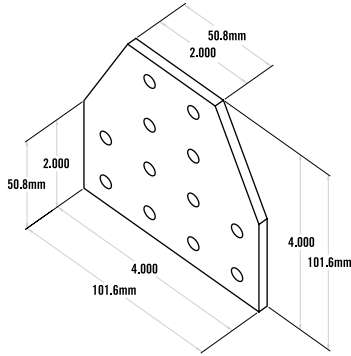
RECOMMENDED FASTENERS

QTY	DESCRIPTION	PART#
8	1/4-20 x 1/2" FBHSCS & Economy T-Nut	651130
or 4	1/4-20 x 1/2" FBHSCS & Double Economy T-Nut	651142
8	M6 x 12mm BHSCS & Economy T-Nut	651503
or 4	M6 x 12mm BHSCS & Double Economy T-Nut	651519

TSLOTS Brackets

10 SERIES / 25 SERIES - 12 Hole Tee Joining Plate

Item Number: **653062**

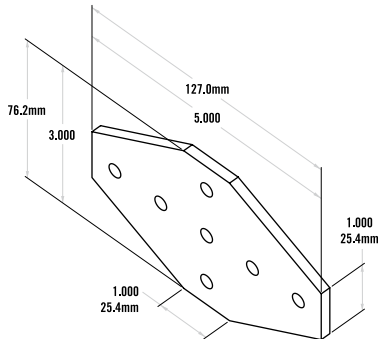


RECOMMENDED FASTENERS

QTY	DESCRIPTION	PART#
12	1/4 - 20 x 1/2" FBHSCS & Economy T-Nut	651130
or 6	1/4 - 20 x 1/2" FBHSCS & Double Economy T-Nut	651142
12	M6 x 12mm BHSCS & Economy T-Nut	651503
or 6	M6 x 12mm BHSCS & Double Economy T-Nut	651519

10 SERIES / 25 SERIES - 7 Hole Crossing Joining Plate

Item Number: **653072**

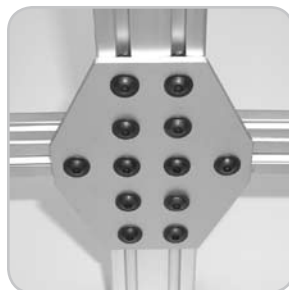
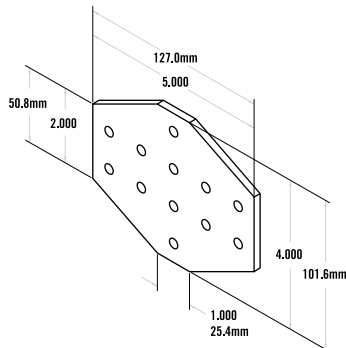


RECOMMENDED FASTENERS

QTY	DESCRIPTION	PART#
7	1/4 - 20 x 1/2" FBHSCS & Economy T-Nut	651130
or 2	1/4 - 20 x 1/2" FBHSCS & Double Economy T-Nut	651142
& 1	1/4 - 20 x 1/2" FBHSCS & Triple Economy T-Nut	651144
7	M6 x 12mm BHSCS & Economy T-Nut	651503
or 3	M6 x 12mm BHSCS & Double Economy T-Nut	651519
or 1	M6 x 12mm BHSCS & Economy T-Nut	651503

10 SERIES / 25 SERIES - 12 Hole Crossing Joining Plate

Item Number: **653094**

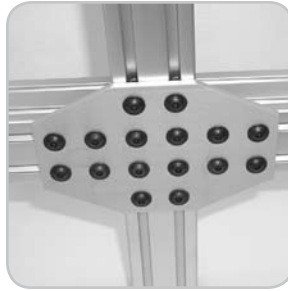
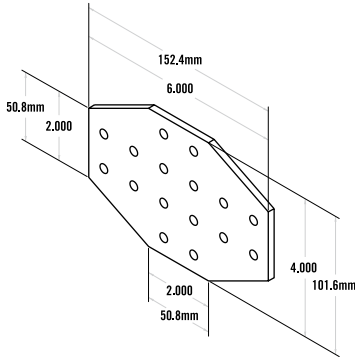


RECOMMENDED FASTENERS

QTY	DESCRIPTION	PART#
12	1/4-20 x 1/2" FBHSCS & Economy T-Nut	651130
or 6	1/4-20 x 1/2" FBHSCS & Double Economy T-Nut	651142
12	M6 x 12mm BHSCS & Economy T-Nut	651503
or 6	M6 x 12mm BHSCS & Double Economy T-Nut	651519

10 SERIES / 25 SERIES - 16 Hole Crossing Joining Plate

Item Number: **653103**

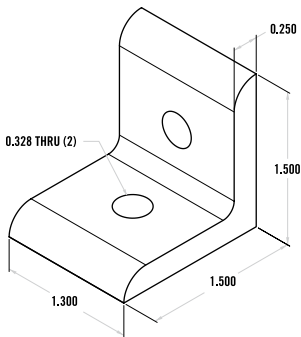


RECOMMENDED FASTENERS

QTY	DESCRIPTION	PART#
16	1/4-20 x 1/2" FBHSCS & Economy T-Nut	651130
or 8	1/4-20 x 1/2" FBHSCS & Double Economy T-Nut	651142
16	M6 x 12mm BHSCS & Economy T-Nut	651503
or 8	M6 x 12mm BHSCS & Double Economy T-Nut	651519

15 SERIES – 2 Hole Inside Corner Bracket

Item Number: **653136**

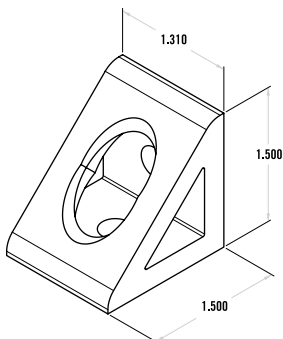


RECOMMENDED FASTENERS

QTY	DESCRIPTION	PART#
2	5/16-18 x 5/8" FBHSCS & Economy T-Nut	651129

15 SERIES - 2 Hole Inside Corner Gusset

Item Number: **653165**



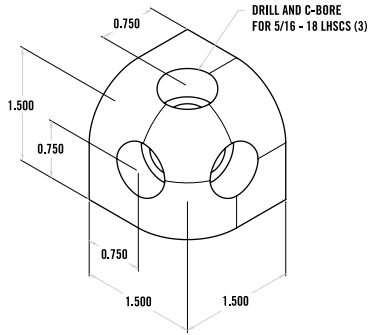
RECOMMENDED FASTENERS

QTY	DESCRIPTION	PART#
2	5/16-18 x 5/8" FBHSCS & Economy T-Nut	651129

TSLOTS Brackets

15 SERIES - Rounded Tri Corner

Item Number: **653257**



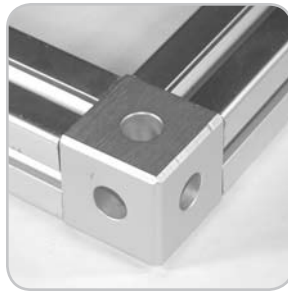
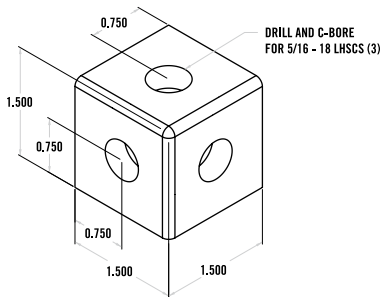
RECOMMENDED FASTENERS

QTY	DESCRIPTION	PART#
3	5/16-18 x 1 1/2" LHSCS	651004

» Tap service required. See page 11:06.

15 SERIES - Square Tri Corner

Item Number: **653258**



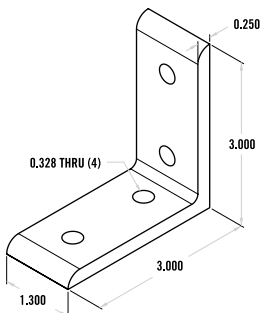
RECOMMENDED FASTENERS

QTY	DESCRIPTION	PART#
3	5/16-18 x 1 1/2" LHSCS	651004

» Tap service required. See page 11:06.

15 SERIES - 4 Hole Inside Corner Bracket

Item Number: **653135**

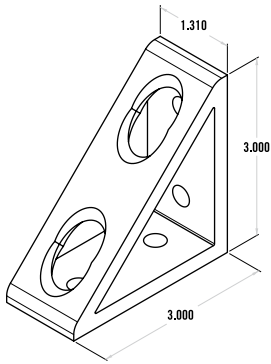


RECOMMENDED FASTENERS

QTY	DESCRIPTION	PART#
4	5/16-18 x 5/8" FBHSCS & Economy T-Nut	651129
or 2	5/16-18 x 5/8" FBHSCS & Double Economy T-Nut	651141

15 SERIES - 4 Hole Inside Corner Gusset

Item Number: **653169**

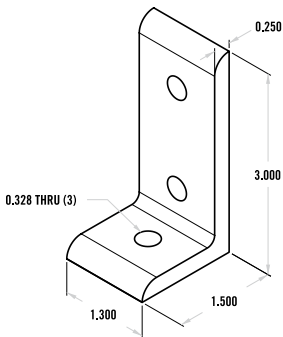


RECOMMENDED FASTENERS

QTY	DESCRIPTION	PART#
4	5/16-18 x 5/8" FBHSCS & Economy T-Nut	651129
or 2	5/16-18 x 5/8" FBHSCS & Double Economy T-Nut	651141

15 SERIES - 3 Hole Inside Corner Bracket

Item Number: **653204**

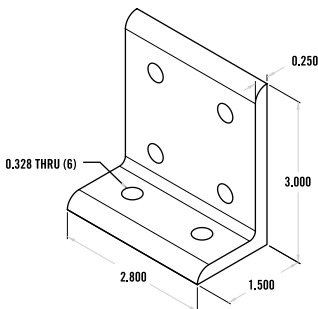


RECOMMENDED FASTENERS

QTY	DESCRIPTION	PART#
3	5/16-18 x 5/8" FBHSCS & Economy T-Nut	651129
or 1	5/16-18 x 5/8" FBHSCS & Double Economy T-Nut	651141
& 1	5/16-18 x 5/8" FBHSCS & Economy T-Nut	651129

15 SERIES - 6 Hole Inside Corner Bracket

Item Number: **653203**



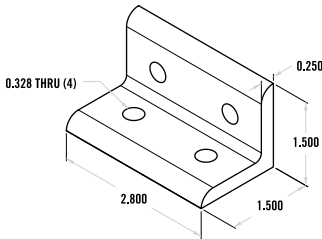
RECOMMENDED FASTENERS

QTY	DESCRIPTION	PART#
6	5/16-18 x 5/8" FBHSCS & Economy T-Nut	651129
or 2	5/16-18 x 5/8" FBHSCS & Double Economy T-Nut	651141
& 2	5/16-18 x 5/8" FBHSCS & Economy T-Nut	651129

TSLOTS Brackets

15 SERIES - 4 Hole Inside Corner Bracket

Item Number: **653137**

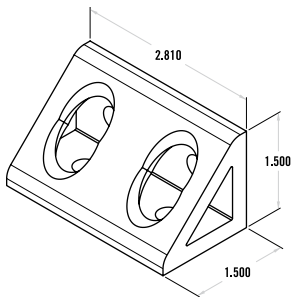


RECOMMENDED FASTENERS

QTY	DESCRIPTION	PART#
4	5/16-18 x 5/8" FBHSCS & Economy T-Nut	651129
or 2	5/16-18 x 5/8" FBHSCS & Double Economy T-Nut	651141

15 SERIES - 4 Hole Inside Corner Gusset

Item Number: **653167**

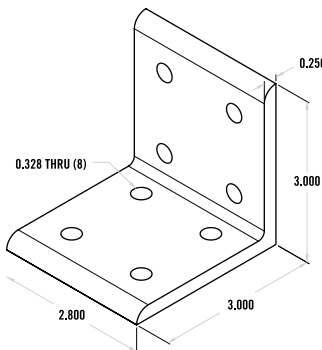


RECOMMENDED FASTENERS

QTY	DESCRIPTION	PART#
4	5/16-18 x 5/8" FBHSCS & Economy T-Nut	651129
or 2	5/16-18 x 5/8" FBHSCS & Double Economy T-Nut	651141

15 SERIES - 8 Hole Inside Corner Bracket

Item Number: **653138**

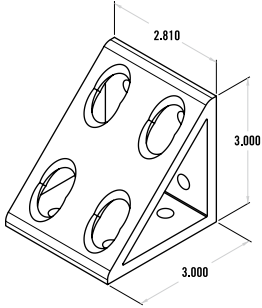


RECOMMENDED FASTENERS

QTY	DESCRIPTION	PART#
8	5/16-18 x 5/8" FBHSCS & Economy T-Nut	651129
or 4	5/16-18 x 5/8" FBHSCS & Double Economy T-Nut	651141

15 SERIES - 8 Hole Inside Corner Gusset

Item Number: **653171**

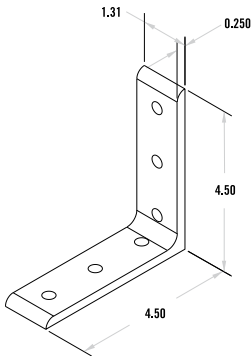


RECOMMENDED FASTENERS

QTY	DESCRIPTION	PART#
8	5/16-18 x 5/8" FBHSCS & Economy T-Nut	651129
or 4	5/16-18 x 5/8" FBHSCS & Double Economy T-Nut	651141

15 SERIES - 6 Hole Inside Corner Bracket

Item Number: **653235**

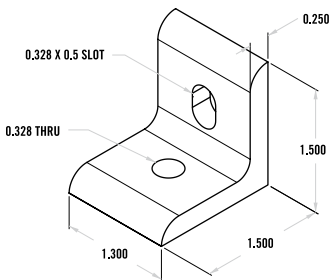


RECOMMENDED FASTENERS

QTY	DESCRIPTION	PART#
6	5/16-18 x 5/8" FBHSCS & Economy T-Nut	651129
or 2	5/16-18 x 5/8" FBHSCS & Triple Economy T-Nut	651143

15 SERIES - 2 Hole Slotted Inside Corner Bracket

Item Number: **653133**



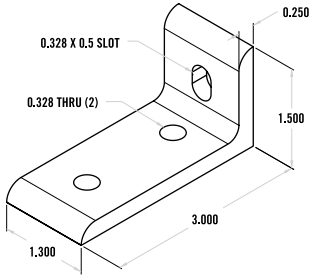
RECOMMENDED FASTENERS

QTY	DESCRIPTION	PART#
2	5/16-18 x 5/8" FBHSCS & Economy T-Nut	651129

TSLOTS Brackets

15 SERIES - 3 Hole Slotted Inside Corner Bracket

Item Number: **653128**

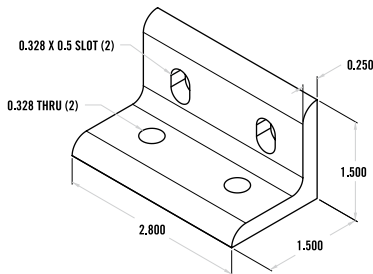


RECOMMENDED FASTENERS

QTY	DESCRIPTION	PART#
3	5/16-18 x 5/8" FBHSCS & Economy T-Nut	651129
or 1	5/16-18 x 5/8" FBHSCS & Double Economy T-Nut	651141
& 1	5/16-18 x 5/8" FBHSCS & Economy T-Nut	651129

15 SERIES - 4 Hole Slotted Inside Corner Bracket

Item Number: **653132**

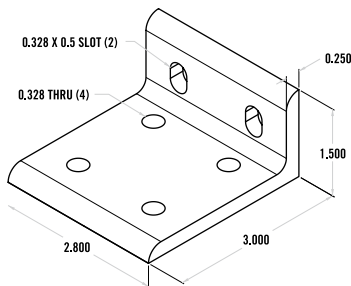


RECOMMENDED FASTENERS

QTY	DESCRIPTION	PART#
4	5/16-18 x 5/8" FBHSCS & Economy T-Nut	651129
or 2	5/16-18 x 5/8" FBHSCS & Double Economy T-Nut	651141

15 SERIES - 6 Hole Slotted Inside Corner Bracket

Item Number: **653130**

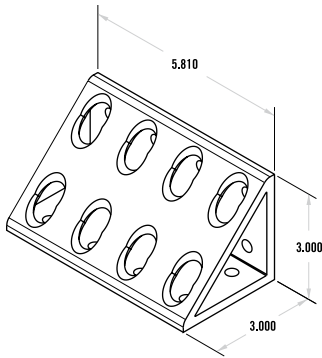


RECOMMENDED FASTENERS

QTY	DESCRIPTION	PART#
6	5/16-18 x 5/8" FBHSCS & Economy T-Nut	651129
or 2	5/16-18 x 5/8" FBHSCS & Double Economy T-Nut	651141
& 2	5/16-18 x 5/8" FBHSCS & Economy T-Nut	651129

15 SERIES - 16 Hole Inside Corner Gusset

Item Number: **653292**

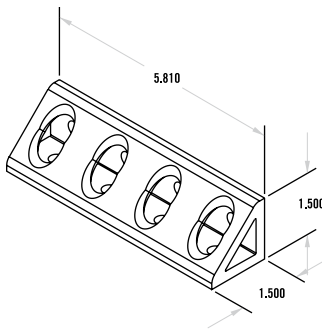


RECOMMENDED FASTENERS

QTY	DESCRIPTION	PART#
16	5/16-18 x 5/8" FBHSCS & Economy T-Nut	651129
or 8	5/16-18 x 5/8" FBHSCS & Double Economy T-Nut	651141

15 SERIES - 8 Hole Inside Corner Gusset

Item Number: **653293**

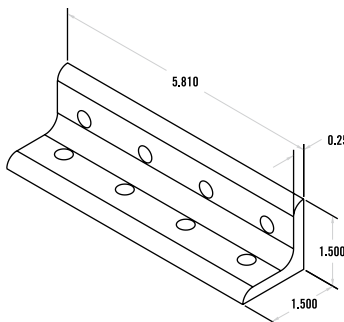


RECOMMENDED FASTENERS

QTY	DESCRIPTION	PART#
8	5/16-18 x 5/8" FBHSCS & Economy T-Nut	651129
or 4	5/16-18 x 5/8" FBHSCS & Double Economy T-Nut	651141

15 SERIES - 8 Hole Inside Corner Bracket

Item Number: **653294**



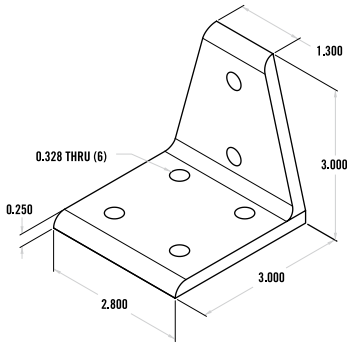
RECOMMENDED FASTENERS

QTY	DESCRIPTION	PART#
8	5/16-18 x 5/8" FBHSCS & Economy T-Nut	651129
or 4	5/16-18 x 5/8" FBHSCS & Double Economy T-Nut	651141

TSLOTS Brackets

15 SERIES - 6 Hole Center Inside Corner Bracket

Item Number: **653145**

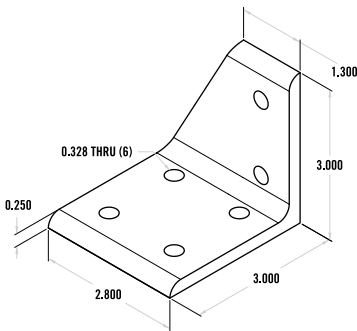


RECOMMENDED FASTENERS

QTY	DESCRIPTION	PART#
6	5/16-18 x 5/8" FBHSCS & Economy T-Nut	651129
or 3	5/16-18 x 5/8" FBHSCS & Double Economy T-Nut	651141

15 SERIES - 6 Hole Right Hand Inside Corner Bracket

Item Number: **653142**

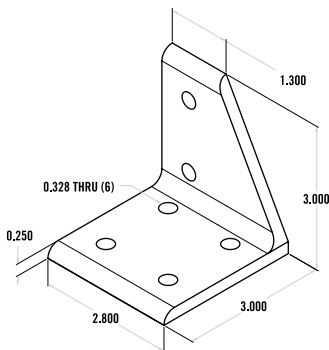


RECOMMENDED FASTENERS

QTY	DESCRIPTION	PART#
6	5/16-18 x 5/8" FBHSCS & Economy T-Nut	651129
or 3	5/16-18 x 5/8" FBHSCS & Double Economy T-Nut	651141

15 SERIES - 6 Hole Left Hand Inside Corner Bracket

Item Number: **653143**

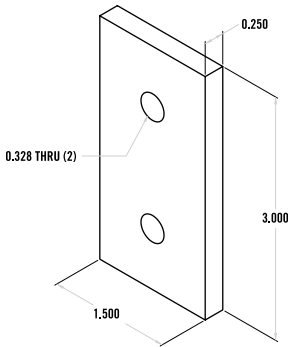


RECOMMENDED FASTENERS

QTY	DESCRIPTION	PART#
6	5/16-18 x 5/8" FBHSCS & Economy T-Nut	651129
or 3	5/16-18 x 5/8" FBHSCS & Double Economy T-Nut	651141

15 SERIES - 2 Hole Joining Strip

Item Number: **653141**

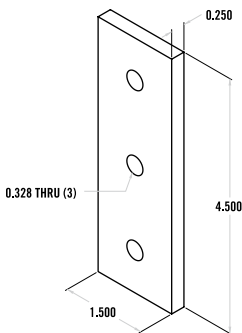


RECOMMENDED FASTENERS

QTY	DESCRIPTION	PART#
2	5/16-18 x 5/8" FBHSCS & Economy T-Nut	651129
or 2	5/16-18 x 3/4" Economy T-Slot Stud w/ Washer & Hex Nut	651133
or 1	5/16-18 x 5/8" FBHSCS & Double Economy T-Nut	651141

15 SERIES - 3 Hole Joining Strip

Item Number: **653140**

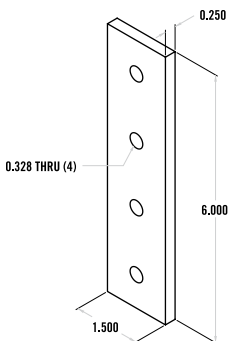


RECOMMENDED FASTENERS

QTY	DESCRIPTION	PART#
3	5/16-18 x 5/8" FBHSCS & Economy T-Nut	651129
or 3	5/16-18 x 3/4" Economy T-Slot Stud w/ Washer & Hex Nut	651133
or 1	5/16-18 x 5/8" FBHSCS & Double Economy T-Nut	651141
& 1	5/16-18 x 5/8" FBHSCS & Economy T-Nut	651129

15 SERIES - 4 Hole Joining Strip

Item Number: **653139**



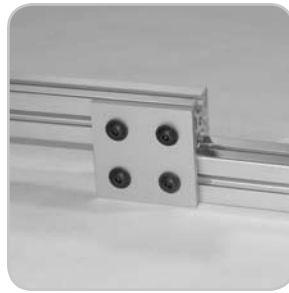
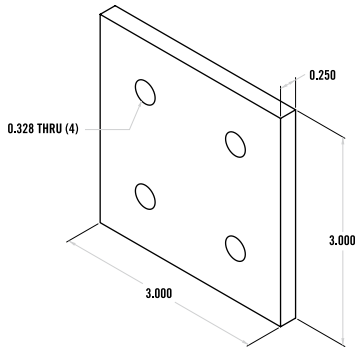
RECOMMENDED FASTENERS

QTY	DESCRIPTION	PART#
4	5/16-18 x 5/8" FBHSCS & Economy T-Nut	651129
or 4	5/16-18 x 3/4" Economy T-Slot Stud w/ Washer & Hex Nut	651133
or 2	5/16-18 x 5/8" FBHSCS & Double Economy T-Nut	651141

TSLOTS Brackets

15 SERIES - 4 Hole Joining Plate

Item Number: **653199**

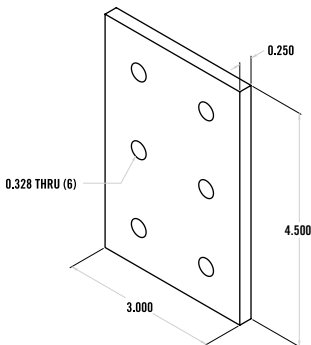


RECOMMENDED FASTENERS

QTY	DESCRIPTION	PART#
4	5/16-18 x 5/8" FBHSCS & Economy T-Nut	651129
or 4	5/16-18 x 3/4" Economy T-Slot Stud w/ Washer & Hex Nut	651133
or 2	5/16-18 x 5/8" FBHSCS & Double Economy T-Nut	651141

15 SERIES - 6 Hole Joining Plate

Item Number: **653198**

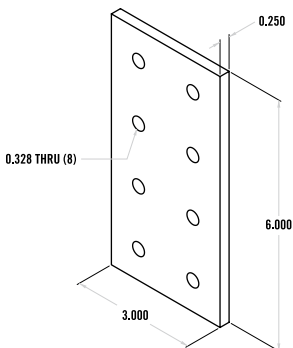


RECOMMENDED FASTENERS

QTY	DESCRIPTION	PART#
6	5/16-18 x 5/8" FBHSCS & Economy T-Nut	651129
or 6	5/16-18 x 3/4" Economy T-Slot Stud w/ Washer & Hex Nut	651133
or 2	5/16-18 x 5/8" FBHSCS & Double Economy T-Nut	651141
& 2	5/16-18 x 5/8" FBHSCS & Economy T-Nut	651129

15 SERIES - 8 Hole Joining Plate

Item Number: **653197**

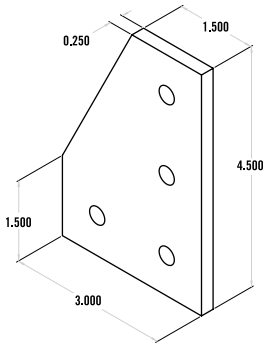


RECOMMENDED FASTENERS

QTY	DESCRIPTION	PART#
8	5/16-18 x 5/8" FBHSCS & Economy T-Nut	651129
or 8	5/16-18 x 3/4" Economy T-Slot Stud w/ Washer & Hex Nut	651133
or 4	5/16-18 x 5/8" FBHSCS & Double Economy T-Nut	651141

15 SERIES - 4 Hole 90° Joining Plate

Item Number: **653182**

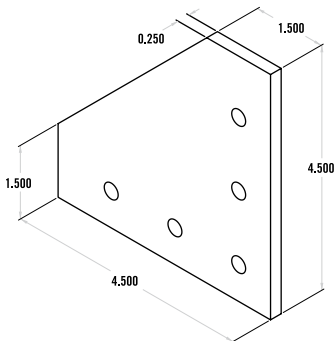


RECOMMENDED FASTENERS

QTY	DESCRIPTION	PART#
4	5/16-18 x 5/8" FBHSCS & Economy T-Nut	651129
or 4	5/16-18 x 3/4" Economy T-Slot Stud w/ Washer & Hex Nut	651133
or 2	5/16-18 x 5/8" FBHSCS & Double Economy T-Nut	651141

15 SERIES - 5 Hole 90° Joining Plate

Item Number: **653183**

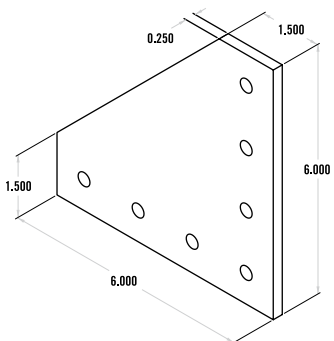


RECOMMENDED FASTENERS

QTY	DESCRIPTION	PART#
5	5/16-18 x 5/8" FBHSCS & Economy T-Nut	651129
or 5	5/16-18 x 3/4" Economy T-Slot Stud w/ Washer & Hex Nut	651133
or 2	5/16-18 x 5/8" FBHSCS & Double Economy T-Nut	651141
& 1	5/16-18 x 5/8" FBHSCS & Economy T-Nut	651129

15 SERIES - 7 Hole 90° Joining Plate

Item Number: **653184**



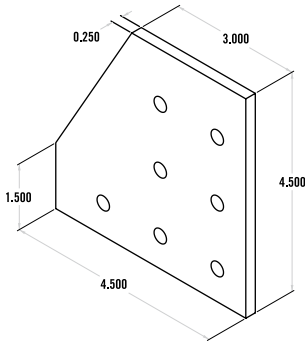
RECOMMENDED FASTENERS

QTY	DESCRIPTION	PART#
7	5/16-18 x 5/8" FBHSCS & Economy T-Nut	651129
or 7	5/16-18 x 3/4" Economy T-Slot Stud w/ Washer & Hex Nut	651133
or 2	5/16-18 x 5/8" FBHSCS & Triple Economy T-Nut	651143
& 1	5/16-18 x 5/8" FBHSCS & Economy T-Nut	651129

TLOTS Brackets

15 SERIES - 7 Hole 90° Joining Plate

Item Number: **653162**

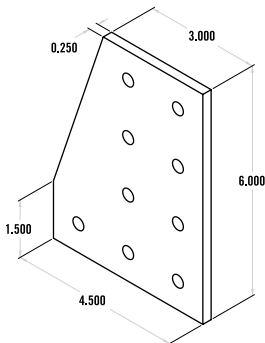


RECOMMENDED FASTENERS

QTY	DESCRIPTION	PART#
7	5/16-18 x 5/8" FBHSCS & Economy T-Nut	651129
or 7	5/16-18 x 3/4" Economy T-Slot Stud w/ Washer & Hex Nut	651133
or 1	5/16-18 x 5/8" FBHSCS & Triple Economy T-Nut	651143
& 2	5/16-18 x 5/8" FBHSCS & Double Economy T-Nut	651141

15 SERIES - 9 Hole 90° Joining Plate

Item Number: **653159**

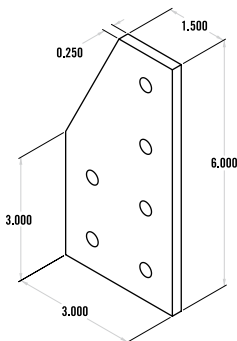


RECOMMENDED FASTENERS

QTY	DESCRIPTION	PART#
9	5/16-18 x 5/8" FBHSCS & Economy T-Nut	651129
or 9	5/16-18 x 3/4" Economy T-Slot Stud w/ Washer & Hex Nut	651133
or 3	5/16-18 x 5/8" FBHSCS & Triple Economy T-Nut	651143

15 SERIES - 6 Hole 90° Joining Plate

Item Number: **653153**

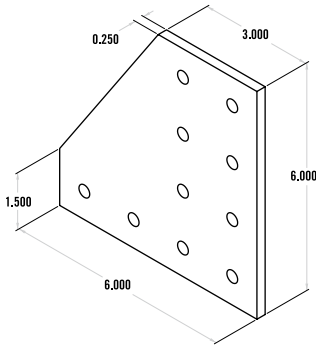


RECOMMENDED FASTENERS

QTY	DESCRIPTION	PART#
6	5/16-18 x 5/8" FBHSCS & Economy T-Nut	651129
or 6	5/16-18 x 3/4" Economy T-Slot Stud w/ Washer & Hex Nut	651133
or 3	5/16-18 x 5/8" FBHSCS & Double Economy T-Nut	651141

15 SERIES - 10 Hole 90° Joining Plate

Item Number: **653160**

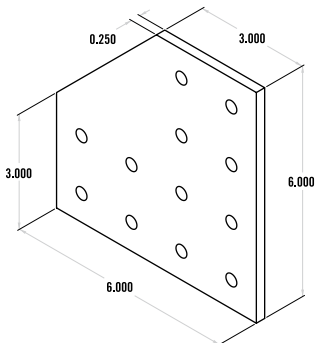


RECOMMENDED FASTENERS

QTY	DESCRIPTION	PART#
10	5/16-18 x 5/8" FBHSCS & Economy T-Nut	651129
or 10	5/16-18 x 3/4" Economy T-Slot Stud w/ Washer & Hex Nut	651133
or 2	5/16-18 x 5/8" FBHSCS & Triple Economy T-Nut	651143
& 2	5/16-18 x 5/8" FBHSCS & Double Economy T-Nut	651141

15 SERIES - 12 Hole 90° Joining Plate

Item Number: **653161**

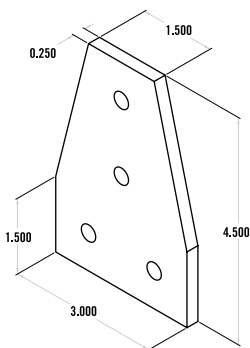


RECOMMENDED FASTENERS

QTY	DESCRIPTION	PART#
12	5/16-18 x 5/8" FBHSCS & Economy T-Nut	651129
or 12	5/16-18 x 3/4" Economy T-Slot Stud w/ Washer & Hex Nut	651133
or 6	5/16-18 x 5/8" FBHSCS & Double Economy T-Nut	651141

15 SERIES - 4 Hole Tee Joining Plate

Item Number: **653174**



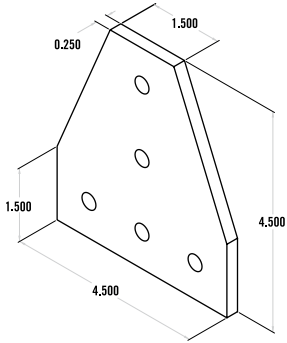
RECOMMENDED FASTENERS

QTY	DESCRIPTION	PART#
4	5/16-18 x 5/8" FBHSCS & Economy T-Nut	651129
or 4	5/16-18 x 3/4" Economy T-Slot Stud w/ Washer & Hex Nut	651133
or 2	5/16-18 x 5/8" FBHSCS & Double Economy T-Nut	651141

T-SLOTS Brackets

15 SERIES - 5 Hole Tee Joining Plate

Item Number: **653173**

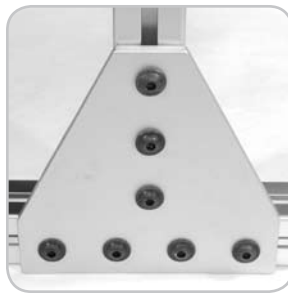
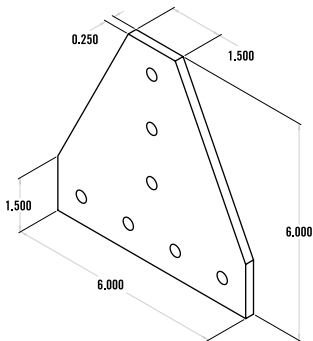


RECOMMENDED FASTENERS

QTY	DESCRIPTION	PART#
5	5/16-18 x 5/8" FBHSCS & Economy T-Nut	651129
or 5	5/16-18 x 3/4" Economy T-Slot Stud w/ Washer & Hex Nut	651133
or 1	5/16-18 x 5/8" FBHSCS & Triple Economy T-Nut	651143
& 1	5/16-18 x 5/8" FBHSCS & Double Economy T-Nut	651141

15 SERIES - 7 Hole Tee Joining Plate

Item Number: **653146**

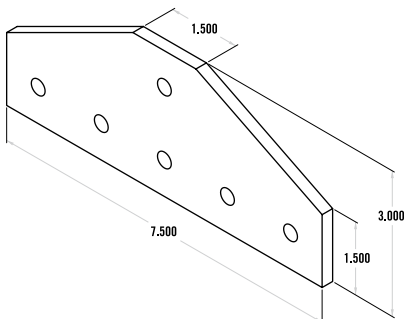


RECOMMENDED FASTENERS

QTY	DESCRIPTION	PART#
7	5/16-18 x 5/8" FBHSCS & Economy T-Nut	651129
or 7	5/16-18 x 3/4" Economy T-Slot Stud w/ Washer & Hex Nut	651133
or 1	5/16-18 x 5/8" FBHSCS & Triple Economy T-Nut	651143
& 2	5/16-18 x 5/8" FBHSCS & Double Economy T-Nut	651141

15 SERIES - 6 Hole Tee Joining Plate

Item Number: **653144**

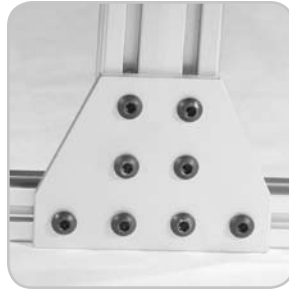
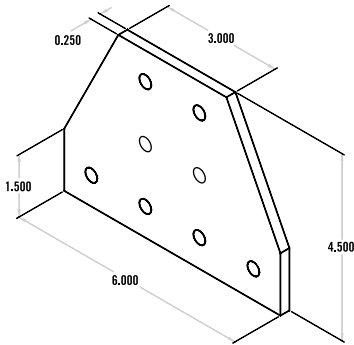


RECOMMENDED FASTENERS

QTY	DESCRIPTION	PART#
6	5/16-18 x 5/8" FBHSCS & Economy T-Nut	651129
or 6	5/16-18 x 3/4" Economy T-Slot Stud w/ Washer & Hex Nut	651133
or 3	5/16-18 x 5/8" FBHSCS & Double Economy T-Nut	651141

15 SERIES - 8 Hole Tee Joining Plate

Item Number: **653187**

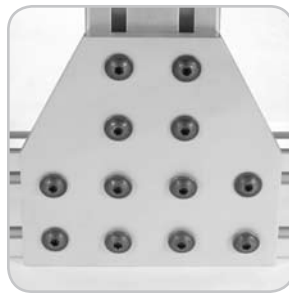
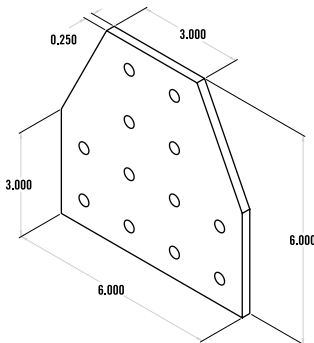


RECOMMENDED FASTENERS

QTY	DESCRIPTION	PART#
8	5/16-18 x 5/8" FBHSCS & Economy T-Nut	651129
or 8	5/16-18 x 3/4" Economy T-Slot Stud w/ Washer & Hex Nut	651133
or 4	5/16-18 x 5/8" FBHSCS & Double Economy T-Nut	651141

15 SERIES - 12 Hole Tee Joining Plate

Item Number: **653158**

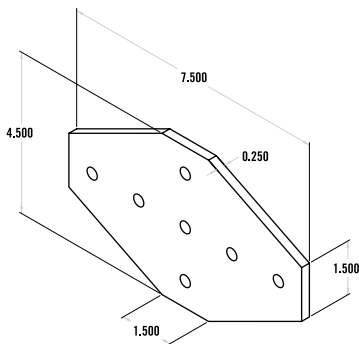


RECOMMENDED FASTENERS

QTY	DESCRIPTION	PART#
12	5/16-18 x 5/8" FBHSCS & Economy T-Nut	651129
or 12	5/16-18 x 3/4" Economy T-Slot Stud w/ Washer & Hex Nut	651133
or 6	5/16-18 x 5/8" FBHSCS & Double Economy T-Nut	651141

15 SERIES - 7 Hole Cross Joining Plate

Item Number: **653168**



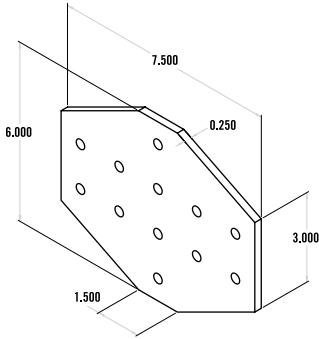
RECOMMENDED FASTENERS

QTY	DESCRIPTION	PART#
7	5/16-18 x 5/8" FBHSCS & Economy T-Nut	651129
or 7	5/16-18 x 3/4" Economy T-Slot Stud w/ Washer & Hex Nut	651133
or 1	5/16-18 x 5/8" FBHSCS & Triple Economy T-Nut	651143
& 2	5/16-18 x 5/8" FBHSCS & Double Economy T-Nut	651141

TSLOTS Brackets

15 SERIES - 12 Hole Cross Joining Plate

Item Number: **653192**

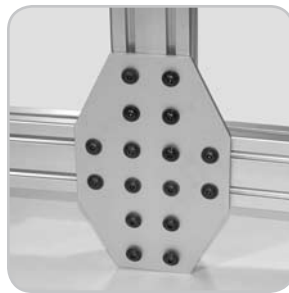
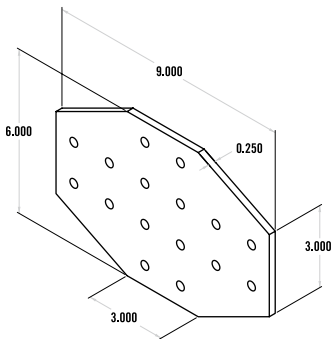


RECOMMENDED FASTENERS

QTY	DESCRIPTION	PART#
12	5/16-18 x 5/8" FBHSCS & Economy T-Nut	651129
or 12	5/16-18 x 3/4" Economy T-Slot Stud w/ Washer & Hex Nut	651133
or 6	5/16-18 x 5/8" FBHSCS & Double Economy T-Nut	651141

15 SERIES - 16 Hole Cross Joining Plate

Item Number: **653200**

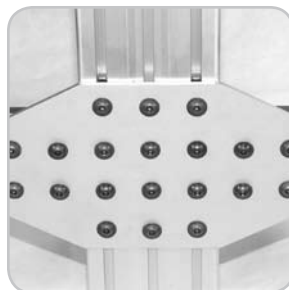
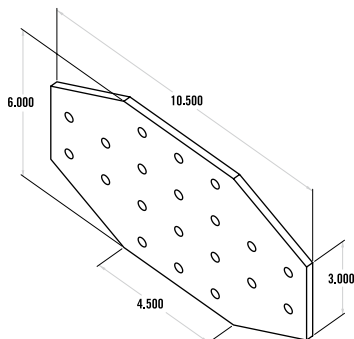


RECOMMENDED FASTENERS

QTY	DESCRIPTION	PART#
16	5/16-18 x 5/8" FBHSCS & Economy T-Nut	651129
or 16	5/16-18 x 3/4" Economy T-Slot Stud w/ Washer & Hex Nut	651133
or 8	5/16-18 x 5/8" FBHSCS & Double Economy T-Nut	651141

15 SERIES - 20 Hole Cross Joining Plate

Item Number: **653243**

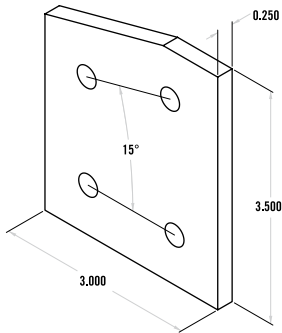


RECOMMENDED FASTENERS

QTY	DESCRIPTION	PART#
20	5/16-18 x 5/8" FBHSCS & Economy T-Nut	651129
or 20	5/16-18 x 3/4" Economy T-Slot Stud w/ Washer & Hex Nut	651133
or 10	5/16-18 x 5/8" FBHSCS & Double Economy T-Nut	651141

15 SERIES - 4 Hole 15° Angle Joining Plate

Item Number: **653149**

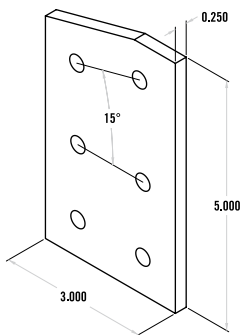


RECOMMENDED FASTENERS

QTY	DESCRIPTION	PART#
4	5/16-18 x 5/8" FBHSCS & Economy T-Nut	651129
or 4	5/16-18 x 3/4" Economy T-Slot Stud w/ Washer & Hex Nut	651133

15 SERIES - 6 Hole 15° Angle Joining Plate

Item Number: **653148**

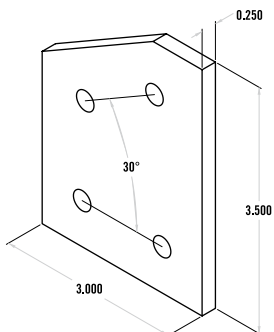


RECOMMENDED FASTENERS

QTY	DESCRIPTION	PART#
6	5/16-18 x 5/8" FBHSCS & Economy T-Nut	651129
or 6	5/16-18 x 3/4" Economy T-Slot Stud w/ Washer & Hex Nut	651133

15 SERIES - 4 Hole 30° Angle Joining Plate

Item Number: **653164**



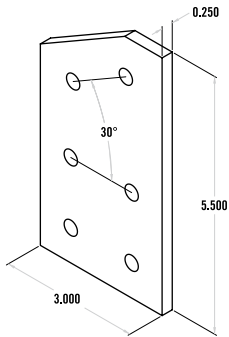
RECOMMENDED FASTENERS

QTY	DESCRIPTION	PART#
4	5/16-18 x 5/8" FBHSCS & Economy T-Nut	651129
or 4	5/16-18 x 3/4" Economy T-Slot Stud w/ Washer & Hex Nut	651133

TSLOTS Brackets

15 SERIES - 6 Hole 30° Angle Joining Plate

Item Number: **653163**

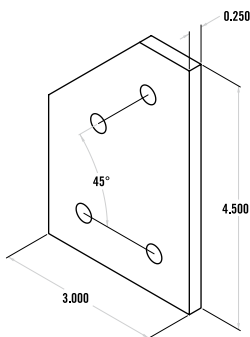


RECOMMENDED FASTENERS

QTY	DESCRIPTION	PART#
6	5/16-18 x 5/8" FBHSCS & Economy T-Nut	651129
or 6	5/16-18 x 3/4" Economy T-Slot Stud w/ Washer & Hex Nut	651133

15 SERIES - 4 Hole 45° Angle Joining Plate

Item Number: **653178**

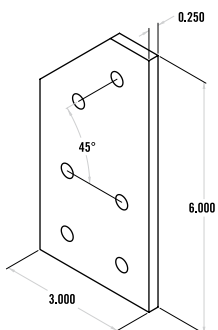


RECOMMENDED FASTENERS

QTY	DESCRIPTION	PART#
4	5/16-18 x 5/8" FBHSCS & Economy T-Nut	651129
or 4	5/16-18 x 3/4" Economy T-Slot Stud w/ Washer & Hex Nut	651133

15 SERIES - 6 Hole 45° Angle Joining Plate

Item Number: **653177**

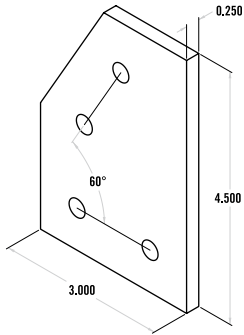


RECOMMENDED FASTENERS

QTY	DESCRIPTION	PART#
6	5/16-18 x 5/8" FBHSCS & Economy T-Nut	651129
or 6	5/16-18 x 3/4" Economy T-Slot Stud w/ Washer & Hex Nut	651133

15 SERIES - 4 Hole 60° Angle Joining Plate

Item Number: **653193**

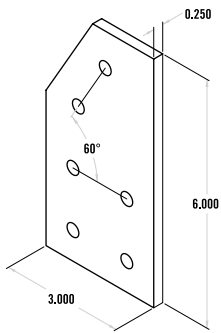


RECOMMENDED FASTENERS

QTY	DESCRIPTION	PART#
4	5/16-18 x 5/8" FBHSCS & Economy T-Nut	651129
or 4	5/16-18 x 3/4" Economy T-Slot Stud w/ Washer & Hex Nut	651133

15 SERIES - 6 Hole 60° Angle Joining Plate

Item Number: **653194**

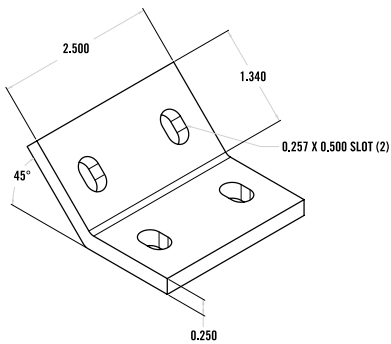


RECOMMENDED FASTENERS

QTY	DESCRIPTION	PART#
6	5/16-18 x 5/8" FBHSCS & Economy T-Nut	651129
or 6	5/16-18 x 3/4" Economy T-Slot Stud w/ Washer & Hex Nut	651133

15 SERIES - 45° Inside Joining Plate

Item Number: **653291**



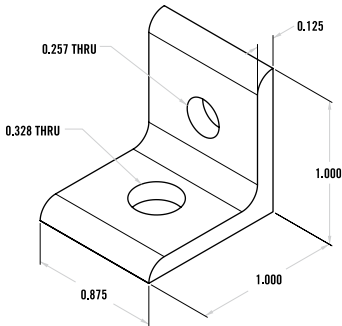
RECOMMENDED FASTENERS

QTY	DESCRIPTION	PART#
4	5/16-18 x 5/8" FBHSCS & Economy T-Nut	651129
or 4	5/16-18 x 3/4" Economy T-Slot Stud w/ Washer & Hex Nut	651133
or 2	5/16-18 x 5/8" FBHSCS & Double Economy T-Nut	651141

TSLOTS Brackets

10 TO 15 SERIES - Transition Inside Corner Bracket

Item Number: **653272**

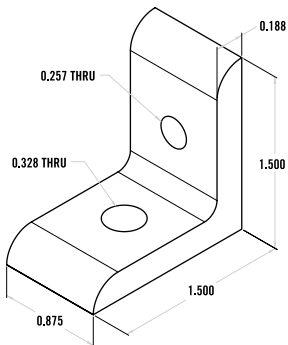


RECOMMENDED FASTENERS

QTY	DESCRIPTION	PART#
1	1/4-20 x 3/8" FBHSCS & Economy T-Nut	651166
1	5/16-18 x 1/2" FBHSCS & Economy T-Nut	651128

10 TO 15 SERIES - Transition Inside Corner Bracket

Item Number: **653268**

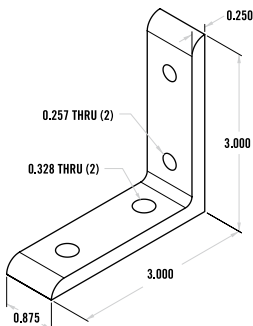


RECOMMENDED FASTENERS

QTY	DESCRIPTION	PART#
1	1/4-20 x 1/2" BHSCS & Economy T-Nut	651171
1	5/16-18 x 5/8" FBHSCS & Economy T-Nut	651129

10 TO 15 SERIES - 4 Hole Transition Inside Corner Bracket

Item Number: **653269**

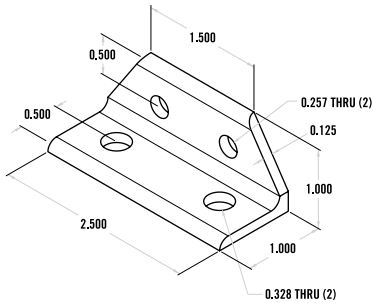


RECOMMENDED FASTENERS

QTY	DESCRIPTION	PART#
2	1/4-20 x 1/2" BHSCS & Economy T-Nut	651171
2	5/16-18 x 5/8" FBHSCS & Economy T-Nut	651129

10 TO 15 SERIES - Double Wide Transition Inside Corner Bracket

Item Number: **653274**

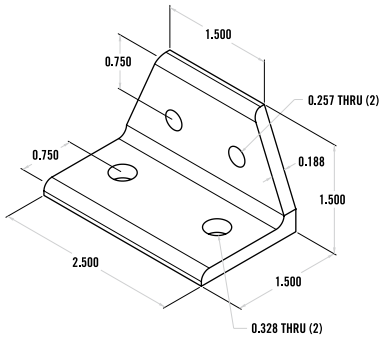


RECOMMENDED FASTENERS

QTY	DESCRIPTION	PART#
2	1/4-20 x 3/8" FBHSCS & Economy T-Nut	651166
2	5/16-18 x 1/2" FBHSCS & Economy T-Nut	651128

10 TO 15 SERIES - Double Wide Transition Inside Corner Bracket

Item Number: **653275**

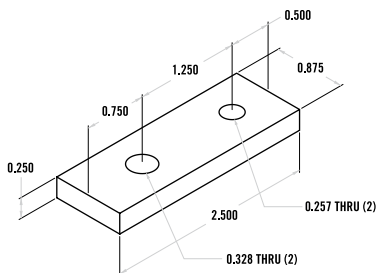


RECOMMENDED FASTENERS

QTY	DESCRIPTION	PART#
2	5/16-18 x 5/8" FBHSCS & Economy T-Nut	651129
2	1/4-20 x 1/2" FBHSCS & Economy T-Nut	651130

10 TO 15 SERIES - 2 Hole Transition Strip

Item Number: **653273**



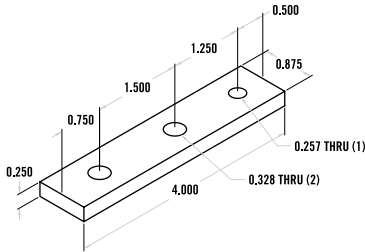
RECOMMENDED FASTENERS

QTY	DESCRIPTION	PART#
1	1/4-20 x 1/2" FBHSCS & Economy T-Nut	651130
1	5/16-18 x 5/8" FBHSCS & Economy T-Nut	651129

TSLOTS Brackets

10 TO 15 SERIES - 3 Hole Transition Strip

Item Number: **653270**

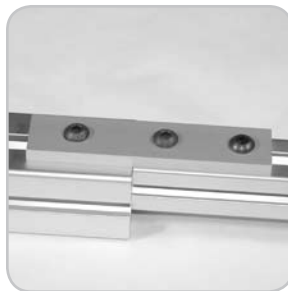
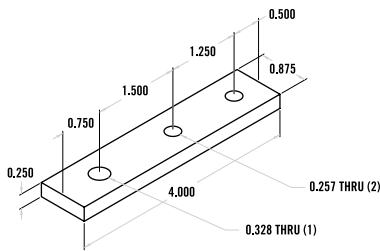


RECOMMENDED FASTENERS

QTY	DESCRIPTION	PART#
1	1/4-20 x 1/2" FBHSCS & Economy T-Nut	651130
2	5/16-18 x 5/8" FBHSCS & Economy T-Nut	651129

10 TO 15 SERIES - 3 Hole Joining Strip

Item Number: **653271**



RECOMMENDED FASTENERS

QTY	DESCRIPTION	PART#
2	1/4-20 x 1/2" FBHSCS & Economy T-Nut	651130
1	5/16-18 x 5/8" FBHSCS & Economy T-Nut	651129

04 | FASTENERS

There are a number of TSLOTS fasteners for you to choose from. Economy T-Nuts are the most economical way to fasten your assembly. Anchor fasteners are a lower cost alternative to make a strong, clean, flush 90 degree joint in a variable location. End fasteners allow your frame to have a strong, square, hidden joint in a fixed location that makes assembly of your frame easier.

WHEN ORDERING FASTENERS FOR YOUR APPLICATION, KEEP THESE SUGGESTIONS IN MIND:

- Check out the Fastener Application Test to determine which fasteners are right for your job - Page 04:02
- For the most cost effective fastening option, choose economy t-nuts and fasteners
- When you have a captivated extrusion end, select drop-in t-nuts and fasteners
- Check out the Tools section of the catalog to find the right tool for your job

FASTENER ADVANTAGES

- Options allow loading from end or from side
- Many available in fractional and metric sizes
- Highest quality available
- Finishes include corrosion resistant black zinc, bright zinc and stainless steel
- Clean flush connections easily achieved

» *See page 01:02 for Torque Specifications*

Fasteners

FASTENER/TOOL RECOMMENDED CHART

THREAD SIZE	FASTENER HEAD			
	SHCS	BHSCS	FBHSCS	FHSCS
8/32	n/a	3/32"	n/a	n/a
10-32	5/32"	1/8"	n/a	n/a
1/4-20	3/16"	5/32"	5/32"	5/32"
5/16-18	1/4"	3/16"	3/16"	3/16"
3/8-16	5/16"	n/a	n/a	7/32"
M6	5mm	4mm	n/a	n/a
M8	6mm	5mm	n/a	n/a

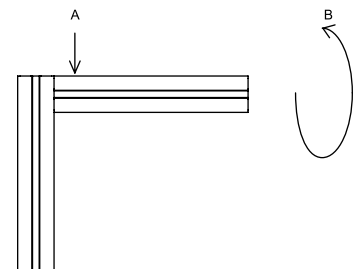
* Numbers in chart reflect hex tool size required.

FASTENER APPLICATION TEST

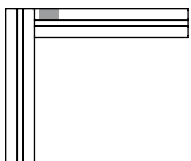
FASTENER	TS10-10		TS15-15L		TS15-15	
	A (lbs)	B	A (lbs)	B	A (lbs)	B
1	500	180 in/lbs	950	540 in/lbs	950	700 in/lbs
2	900	250 in/lbs	1,200	1,150 in/lbs	1,200	2,000 in/lbs
3	450	325 in/lbs	1,000	680 in/lbs	1,000	1,150 in/lbs
4	175	400 in/lbs	225	1,000 in/lbs	225	1,100 in/lbs
5	175	500 in/lbs	250	1,200 in/lbs	250	1,260 in/lbs
6	325	180 in/lbs	375	500 in/lbs	575	500 in/lbs
7	325	260 in/lbs	375	500 in/lbs	575	500 in/lbs

* All forces are approximate.

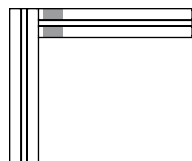
A - DIRECT FORCE
B - TORTIONAL FORCE



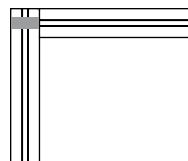
1 - SINGLE ANCHOR



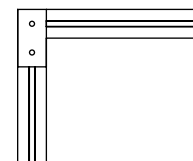
2 - DOUBLE ANCHOR



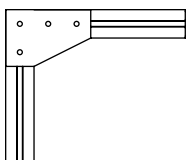
3 - END FASTENER



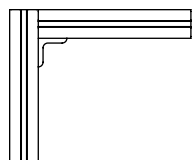
4 - JOINING PLATE



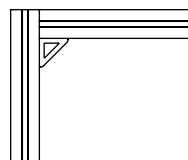
5 - 90° JOINING PLATE



6 - CORNER BRACKET



7 - CORNER GUSSET



ECONOMY T-NUTS



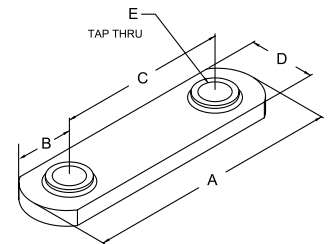
- Economical
- High Strength
- Extrusion end loading only
- 10, 15, 25 & 40 Series sizes

ITEM #	DESCRIPTION	THREAD
651095	Black Zinc 10 S Economy T-Nut	8-32
651096	Black Zinc 10 S Economy T-Nut	10-32
651287	Stainless Steel 10 S Economy T-Nut offset	10-32
651163	Black Zinc 10 S Economy T-Nut	1/4-20
651321	Bright Zinc 10 S Economy T-Nut	1/4-20
651322	Bright Zinc 15 S Economy T-Nut	1/4-20
651105	Black Zinc 15 S Economy T-Nut offset	1/4-20
651294	Stainless Steel 15 S Economy T-Nut	1/4-20
651097	Black Zinc 15 S Economy T-Nut offset	5/16-18
651316	Bright Zinc 15 S Economy T-Nut offset	5/16-18
651288	Stainless Steel 15 S Economy T-Nut offset	5/16-18
651386	Bright Zinc 10 S / 25 S Metric Economy T-Nut offset	M6x1.0
651366	Bright Zinc 15 S / 40 S Metric Economy T-Nut offset	M6x1.0
651367	Bright Zinc 15 S / 40 S Metric Economy T-Nut offset	M8x1.25
651445	Black Zinc 15 S / 40 S Metric Economy T-Nut	M8x1.25

DOUBLE ECONOMY T-NUTS



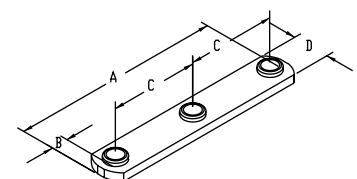
- Economical
- High Strength
- Extrusion end loading only
- 10, 15, 25 & 40 Series sizes
- More convenient and better productivity over single economy T-Nut
- 1", 1.5", 25mm and 40mm centerlines make pre-assembly easy



ITEM #	DESCRIPTION	THREAD	A	B	C	D	E
651100	Black Zinc 10 S / 25 S Dbl. Economy T-Nut	8-32	1.375	0.187	1	0.443	8-32
651099	Black Zinc 10 S / 25 S Dbl. Economy T-Nut	1/4-20	1.875	0.443	1	0.443	1/4-20
651098	Black Zinc 15 S Dbl. Economy T-Nut	5/16-18	2.81	0.655	1.5	0.625	5/16-18
651331	Bright Zinc 10 S / 25 S Metric Dbl. Economy T-Nut	M6x1.0	1.87	0.443	1	0.443	M6x1.0
651406	Bright Zinc 15 S Metric Dbl. Economy T-Nut	M8x1.25	3	0.75	1.5	0.625	M8x1.25
651461	Black Zinc 40 S Double Economy T-Nut	M8x1.25	76mm	19mm	40mm	16mm	M8x1.25

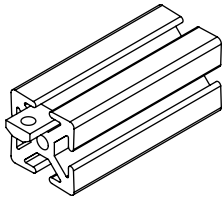
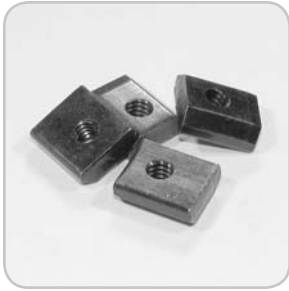
TRIPLE ECONOMY T-NUTS

ITEM #	DESCRIPTION	THREAD	A	B	C	D
651106	Black Zinc 10S Triple Econ. T-Nut	1/4-20	2.450	0.225	1.000	0.450
651104	Black Zinc 15S Triple Econ. T-Nut	5/16-18	3.562	0.281	1.500	0.625



Fasteners

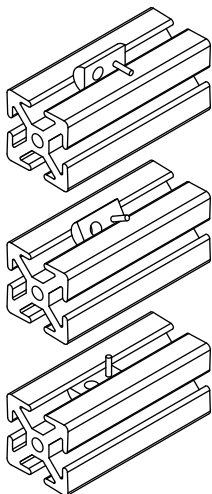
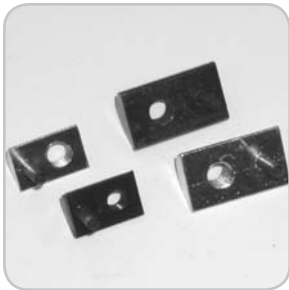
STANDARD T-NUTS OFFSET



ITEM #	DESCRIPTION	THREAD
651076	Black Zinc 10 S Standard T-Nut	10-32
651075	Black Zinc 10 S Standard T-Nut	1/4-20
651398	Bright Zinc 10 S / 25 S Standard T-Nut	M5x.8
651400	Bright Zinc 10 S / 25 S Standard T-Nut	M6x1.0
651308	Bright Zinc 15 S Standard T-Nut	5/16-18
651393	Bright Zinc 15 S / 40 S Standard T-Nut	M6x1.0
651395	Bright Zinc 15 S / 40 S Standard T-Nut	M8x1.25
651072	Black Zinc 15 S Standard T-Nut	10-32
651073	Black Zinc 15 S Standard T-Nut	1/4-20
651074	Black Zinc 15 S Standard T-Nut	5/16-18
651477	10 S / 25 S Standard T-Nut Profile	36" length
651475	15 S / 40 S Standard T-Nut Profile	36" length

- 10, 15, 25 and 40 Series sizes
- Extrusion end loading only
- High Strength
- Economical

DROP IN T-NUTS WITH RUBBER HANDLE



ITEM #	DESCRIPTION	THREAD
651157	Black Zinc 10 S Drop In T-Nut	10-32
651325	Bright Zinc 10 S Drop In T-Nut	10-32
651435	SS 10 S Drop In T-Nut	1/4-20
651326	Bright Zinc 10 S Drop In T-Nut	1/4-20
651158	Black Zinc 10 S Drop In T-Nut	1/4-20
651402	Bright Zinc 10 S / 25 S Drop In T-Nut	M5x.8
651403	Bright Zinc 10 S / 25 S Drop In T-Nut	M6x1.0
651103	Black Zinc 15 S Drop In T-Nut	10-32
651102	Black Zinc 15 S Drop In T-Nut	1/4-20
651319	Bright Zinc 15 S Drop In T-Nut	1/4-20
651372	Bright Zinc 15 S / 40 S Drop In T-Nut	M6x1.0
651101	Black Zinc 15 S Drop In T-Nut	5/16-18
651318	Bright Zinc 15 S Drop In T-Nut	5/16-18
651371	Bright Zinc 15 S / 40 S Drop In T-Nut	M8x1.25
651246	SS 15 S Drop In T-Nut	1/4-20

- Tapered bottom allows for easy loading and removal from extrusion slot
- Reduces assembly time
- Easy to add and reposition in T-Slot when ends are closed off
- Rubber nub holds T-Nut in vertical T-Slot
- 10, 15, 25 and 40 Series sizes
- High Strength

DROP IN T-NUTS WITH SET SCREW



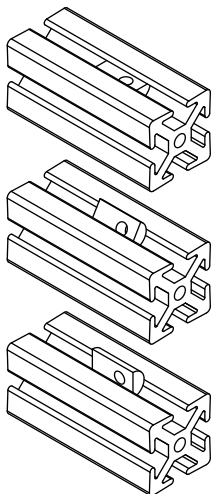
ITEM #	DESCRIPTION	THREAD
651125	Black Zinc 10 S / 25 S Drop In T-Nut w/ Set Screw	10-32
651126	Black Zinc 10 S / 25 S Drop In T-Nut w/ Set Screw	1/4-20
651122	Black Zinc 15 S Drop In T-Nut w/ Set Screw	10-32
651123	Black Zinc 15 S Drop In T-Nut w/ Set Screw	1/4-20
651247	SS 15 S Drop In T-Nut w/ Set Screw	1/4-20
651124	Black Zinc 15 S Drop In T-Nut w/ Set Screw	5/16-18
651248	SS 15 S Drop In T-Nut w/ Set Screw	5/16-18
651323	Bright Zinc 15 S Drop In T-Nut w/ Set Screw	1/4-20
651324	Bright Zinc 15 S Drop In T-Nut w/ Set Screw	5/16-18
651421	Bright Zinc 15 S / 40 S Drop In T-Nut w/ Set Screw	M8x1.25
651425	Bright Zinc 15 S / 40 S Drop In T-Nut w/ Set Screw	M6x1.0

- Tapered bottom allows for easy loading and removal from extrusion slot
- Reduces assembly time
- Easy to add and reposition in T-Slot when ends are closed off
- Set screw holds T-Nut in vertical T-Slot
- 10, 15, 25 and 40 Series sizes
- High Strength

DROP IN T-NUTS WITH BALL BEARING



ITEM #	DESCRIPTION	THREAD
651467	10 S Bright Zinc Drop-in Tnut w/ Ball Bearing	8-32
651468	10 S Bright Zinc Drop-in Tnut w/ Ball Bearing	10-32
651469	10 S Bright Zinc Drop-in Tnut w/ Ball Bearing	1/4-20
651471	10 S / 25 S Bright Zinc Drop-in Tnut w/ Ball Bearing	M5 x.8
651472	10 S / 25 S Bright Zinc Drop-in Tnut w/ Ball Bearing	M6 x1.0
651642	15 S Bright Zinc Drop-in Tnut w/ Ball Bearing	8-32
651643	15 S Bright Zinc Drop-in Tnut w/ Ball Bearing	10-32
651644	15 S Bright Zinc Drop-in Tnut w/ Ball Bearing	1/4-20
651645	15 S Bright Zinc Drop-in Tnut w/ Ball Bearing	5/16-18
651646	15 S / 40 S Bright Zinc Drop-in Tnut w/ Ball Bearing	M5 x.8
651647	15 S / 40 S Bright Zinc Drop-in Tnut w/ Ball Bearing	M6 x1.0
651648	15 S / 40 S Bright Zinc Drop-in Tnut w/ Ball Bearing	M8 x1.25



- Tapered bottom allows for easy loading and removal from extrusion slot
- Reduces assembly time
- Easy to add and reposition in T-Slot when ends are closed off
- Ball bearing holds T-Nut in vertical T-Slot
- 10, 15, 25 and 40 Series sizes
- High Strength

Fasteners

STEPPED DROP IN T-NUT WITH BALL BEARING



ITEM #	DESCRIPTION	THREAD
664114	15 S Stepped Drop In T-Nut w/ Ball Bearing	1/4-20
664115	15 S Stepped Drop In T-Nut w/ Ball Bearing	10-32
664116	15 S Stepped Drop In T-Nut w/ Ball Bearing	5/16-18

- Zinc plated stainless steel
- Self aligning roll in T SLOT nut with spring ball

Z-NUTS



ITEM #	DESCRIPTION	THREAD
662002	M5 Z-Nut	M5
662001	M6 Z-Nut	M6

- Design allows for easy loading from extrusion slot
- Fits both 15 S and 40 S slots
- Metric thread size only

ECONOMY T SLOT STUDS - Grade 5



ITEM #	DESCRIPTION	THREAD
651054	Economy T SLOT Studs	5/16-18x.75"
651058	Economy T SLOT Studs	5/16-18x1.00"
651063	Economy T SLOT Studs	5/16-18x1.25"
651066	Economy T SLOT Studs	5/16-18x1.50"
651107	Economy T SLOT Studs	5/16-18x1.75"
651255	S/S Economy T SLOT Stud	5/16-18x.75"
651261	S/S Economy T SLOT Stud	5/16-18x1.00"

ASSEMBLIES

ITEM #	DESCRIPTION
651133	5/16-18x.75" Economy T SLOT Studs with Washer and Hex Nut

- Extrusion end loading only
- 15 Series sizes

BUTT FASTENERS



ITEM #	DESCRIPTION
651153	10 S / 25 S Butt Fastener
651154	15 S / 40 S Butt Fastener

- Allows you to butt two extrusions end to end for maximum strength and alignment
- 10, 15, 25 and 40 Series sizes
- » See page 11:08 for machining services.

ANCHOR FASTENERS



ITEM #	DESCRIPTION
651173	10 S / 25 S Anchor Fastener w/ 10-32 Bolt & Std. T-Nut
651149	10 S / 25 S Anchor Fastener w/ 10-32 Bolt & Drop In T-Nut
651500	10 S / 25 S Anchor Fastener w/M6 Bolt & Std. T-Nut
651174	10 S / 25 S Anchor Fastener w/o Leg - Cam only
651146	15 S Anchor Fastener w/ 5/16-18 Bolt & Std. T-Nut
651148	15 S Anchor Fastener w/ 5/16-18 Bolt & Drop In T-Nut
651281	15 S Anchor Fastener w/ SS 5/16-18 Bolt & Std. T-Nut
651424	15 S / 40 S Metric Anchor Fastener w/ M8 Bolt & Std. T-Nut
651147	15 S / 40 S Anchor Fastener w/o Leg - Cam only

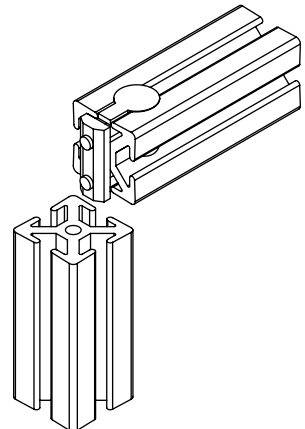
- Strongest of available fasteners
- Creates 90 degree T-Slot connections
- 10, 25 & 40 Series sizes
- All T-Nuts are offset

DOUBLE ANCHOR FASTENERS



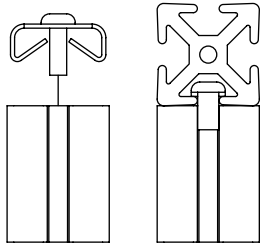
ITEM #	DESCRIPTION
651036	10 S / 25 S 10-32 Short Anchor Assembly
651038	10 S / 25 S 10-32 Long Anchor Assembly
651044	15 S 5/16-18 Short Anchor Assembly
651045	15 S 5/16-18 Long Anchor Assembly

- Reduces assembly time when mating extrusions have opposing anchor fastener counterbores
- Strongest of available fasteners
- Creates 90 degree T-Slot connections
- 10, 15 and 25 Series Sizes
- » See page 11:08 for machining services.



Fasteners

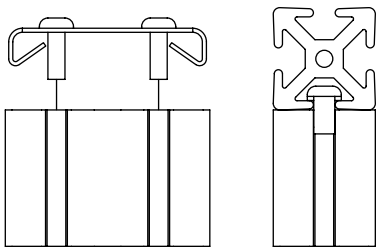
END FASTENERS



ITEM #	DESCRIPTION	THREAD
651162	Black Zinc 10 S / 25 S End Fastener with Screw	1/4-20
651292	Bright Zinc 10 S / 25 S End Fastener with SS Screw	1/4-20
651422	Bright Zinc 10 S / 25 S End Fastener with Screw	M6x1.0
651291	Bright Zinc 10 S / 25 S End Fastener without Screw	n/a
651159	Black Zinc 10 S / 25 S End Fastener without Screw	n/a
651161	Black Zinc 15 S / 40 S End Fastener with Screw	5/16-18
651290	Bright Zinc 15 S / 40 S End Fastener with SS Screw	5/16-18
651418	Bright Zinc 15 S / 40 S End Fastener with Screw	M8x1.25
651289	Bright Zinc 15 S / 40 S End Fastener without Screw	n/a
651160	Black Zinc 15 S / 40 S End Fastener without Screw	n/a

- Provides a hidden fastener when connecting extrusions at 90 degrees
- Mating extrusions glide over end fastener
- Tapping service required in the extrusion base end and access hole in the mating extrusion
- 10, 15, 25 and 40 Series sizes
- Prevents mating extrusion from rotating

DOUBLE END FASTENERS



ITEM #	DESCRIPTION	THREAD
651137	Black Zinc 10 S / 25 S Double End Fastener with Screw	1/4-20
651327	Bright Zinc 10 S / 25 S Double End Fastener with SS Screw	1/4-20
651428	Bright Zinc 10 S / 25 S Double End Fastener with Screw	M6x1.0
651329	Bright Zinc 10 S / 25 S Double End Fastener without Screw	n/a
651139	Black Zinc 10 S / 25 S Double End Fastener without Screw	n/a
651138	Black Zinc 15 S Double End Fastener with Screw	5/16-18
651328	Bright Zinc 15 S Double End Fastener with SS Screw	5/16-18
651429	Bright Zinc 15 S Double End Fastener with Screw	M8x1.25
651330	Bright Zinc 15 S Double End Fastener without Screw	n/a
651140	Black Zinc 15 S Double End Fastener without Screw	n/a

- Provides a hidden fastener when connecting extrusions at 90 degrees
- Mating extrusions glide over end fastener
- Tapping service required in the extrusion base end and access hole in the mating extrusion
- 10, 15 and 25 Series sizes
- Prevents mating extrusion from rotating

CONNECTOR LINK



ITEM #	DESCRIPTION
662005	10 S Connector link - 4" length, 1/4-20 fastener
662075	15 S Connector link - 6" length, 5/16-18 fastener

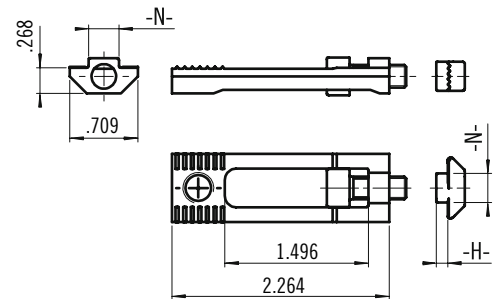
◦ Fastening link to connect similar series profiles together

MILLING CONNECTOR

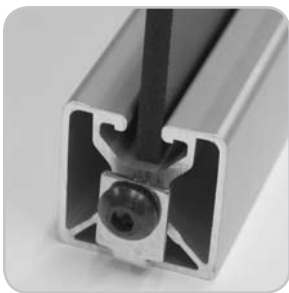


ITEM #	DESCRIPTION
655815	15 S Milling Connector 

◦ For fast connection of two tslot profiles, zinc plated



SINGLE TAB END FASTENER



ITEM #	DESCRIPTION
651495	15 S / 40 S Single Tab End Fastener w/o Screw
651501	15 S Single Tab End Fastener w/ 5/16-18 BHSCS
651502	40 S Single Tab End Fastener w/ M8 x 20 mm BHSCS

- Allows for panels to mate in slots without having to notch panels
- Provides hidden fastener when connecting extrusions at 90°
- Mating extrusions glide over end fastener
- Tapping service required in the extrusion base end and access hole in the mating extrusions
- 15 and 40 Series sizes only

Fasteners

PUSH IN FASTENERS



ITEM #	DESCRIPTION
651084	10 S / 25 S Push In Fastener
651090	15 S / 40 S Push In Fastener

- Pushes into center holes of 10, 15, 25 and 40 Series extrusions
- Used to fasten End Caps onto extrusions

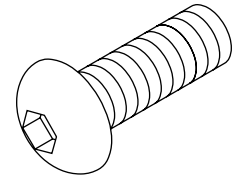
BUTTON HEAD SOCKET CAP SCREW & ASSEMBLIES

ITEM #	DESCRIPTION
651020	6-32 x 3/8" BHSCS
651006	8-32 x 1/2" BHSCS
651007	8-32 x 7/8" BHSCS
651008	10-32 x 3/8" BHSCS
651011	10-32 x 1/2" BHSCS
651012	10-32 x 5/8" BHSCS
651015	10-32 x 3/4" BHSCS
651302	S/S 10-32 x 3/8" BHSCS
651304	S/S 10-32 x 1/2" BHSCS
651306	S/S 10-32 x 5/8" BHSCS
651019	1/4-20 x 3/8" BHSCS
651021	1/4-20 x 1/2" BHSCS
651023	1/4-20 x 5/8" BHSCS
651025	1/4-20 x 3/4" BHSCS
651462	1/4-20 x 1" BHSCS
651463	1/4-20 x 1 1/4" BHSCS
651296	S/S 1/4-20 x 3/8" BHSCS
651298	S/S 1/4-20 x 1/2" BHSCS
651284	S/S 1/4-20 x 5/8" BHSCS
651300	S/S 1/4-20 x 3/4" BHSCS

10 SERIES / 25 SERIES ASSEMBLIES

ITEM #	DESCRIPTION
651226	8-32 x 3/8" BHSCS & Economy T-Nut
651232	8-32 x 1/2" BHSCS w/ Washer & Hex Nut
651230	10-32 x 1/2" BHSCS & Standard T-Nut
651176	1/4-20 x 1/2" BHSCS w/ Washer & Economy T-Nut
651177	1/4-20 x 1/2" BHSCS w/ Washer & Drop In T-Nut
651225	1/4-20 x 5/8" BHSCS w/ Washer & Economy T-Nut
651227	1/4-20 x 5/8" BHSCS w/ Washer & Drop In T-Nut
651152	1/4-20 x 5/8" BHSCS w/ Washer
651216	1/4-20 x 3/4" BHSCS w/ Washer & Hex Nut
651171	1/4-20 x 1/2" BHSCS & Economy T-Nut
651172	1/4-20 x 1/2" BHSCS & Drop In T-Nut
651274	S/S 1/4-20 x 5/8" BHSCS w/ Washer & Economy T-Nut
651156	1/4-20 x 3/4" BHSCS w/ Washer & Drop In T-Nut
651490	1/4-20 x 1/2" BHSCS & Double Economy T-Nut
651503	M6 x 12 mm BHSCS & Economy T-Nut
651504	M6 x 12 mm BHSCS & Standard T-Nut
651505	M6 x 12 mm BHSCS & Drop In T-Nut
651519	M6 x 12 mm BHSCS & Double Economy T-Nut

ITEM #	DESCRIPTION
651048	5/16-18 x 1/2" BHSCS
651051	5/16-18 x 5/8" BHSCS
651053	5/16-18 x 3/4" BHSCS
651055	5/16-18 x 7/8" BHSCS
651056	5/16-18 x 1" BHSCS
651249	S/S 5/16-18 x 1/2" BHSCS
651251	S/S 5/16-18 x 5/8" BHSCS
651253	S/S 5/16-18 x 3/4" BHSCS
651256	S/S 5/16-18 x 7/8" BHSCS
651259	S/S 5/16-18 x 1" BHSCS
651333	M6 x 12 mm BHSCS
651335	M6 x 16 mm BHSCS
651340	M6 x 20 mm BHSCS
651661	M6 x 20 mm BHSCS Bright Zinc
651341	M6 x 25 mm BHSCS
651343	M8 x 12 mm BHSCS
651345	M8 x 16 mm BHSCS
651347	M8 x 20 mm BHSCS
651351	M8 x 25 mm BHSCS



15 SERIES / 40 SERIES ASSEMBLIES

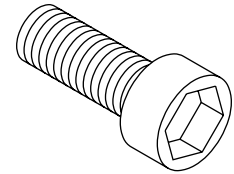
ITEM #	DESCRIPTION
651190	5/16-18 x 5/8" BHSCS w/ Washer & Economy T-Nut
651192	5/16-18 x 5/8" BHSCS w/ Washer & Drop In T-Nut
651150	5/16-18 x 5/8" BHSCS & Economy T-Nut
651193	5/16-18 x 3/4" BHSCS w/ Washer & Economy T-Nut
651194	5/16-18 x 3/4" BHSCS w/ Washer & Drop In T-Nut
651195	5/16-18 x 3/4" BHSCS w/ Washer & Hex Nut
651151	5/16-18 x 3/4" BHSCS w/ Washer
651196	5/16-18 x 1" BHSCS w/ Washer & Economy T-Nut
651197	5/16-18 x 1" BHSCS w/ Washer & Drop In T-Nut
651265	S/S 5/16-18 x 3/4" BHSCS w/ Washer & Econ T-Nut
651258	S/S 5/16-18 x 5/8" BHSCS w/ Washer & Economy T-Nut
651266	S/S 5/16-18 x 1" BHSCS w/ Washer & Econ T-Nut
651506	M8 x 16 mm BHSCS & Economy T-Nut
651507	M8 x 16 mm BHSCS & Standard T-Nut
651508	M8 x 16 mm BHSCS & Drop In T-Nut
651521	M8 x 16 mm BHSCS & Double Economy T-Nut

» See page 01:02 for torque specifications.

Fasteners

SOCKET HEAD CAP SCREWS & ASSEMBLIES

ITEM #	DESCRIPTION	ITEM #	DESCRIPTION
651009	10-32 x 3/8" SHCS	651049	5/16-18 x 1/2" SHCS
651010	10-32 x 1/2" SHCS	651050	5/16-18 x 5/8" SHCS
651013	10-32 x 5/8" SHCS	651052	5/16-18 x 3/4" SHCS
651293	S/S 10-32 x 3/4" SHCS	651057	5/16-18 x 7/8" SHCS
651301	S/S 10-32 x 3/8" SHCS	651059	5/16-18 x 1" SHCS
651303	S/S 10-32 x 1/2" SHCS	651060	5/16-18 x 1 1/4" SHCS
651305	S/S 10-32 x 5/8" SHCS	651064	5/16-18 1 1/2" SHCS
651017	10-32 x 3/4" SHCS	651650	5/16-18 x 1 3/4" SHCS
651018	1/4-20 x 3/8" SHCS	651651	5/16-18 x 2" SHCS
651022	1/4-20 x 1/2" SHCS	651652	5/16-18 x 2 1/4" SHCS
651024	1/4-20 x 5/8" SHCS	651653	5/16-18 x 2 1/2" SHCS
651027	1/4-20 x 3/4" SHCS	651654	5/16-18 x 3" SHCS
651028	1/4-20 x 7/8" SHCS	651488	5/16-18 x 3 1/2" SHCS
651029	1/4-20 x 1" SHCS	651061	3/8-16 x 1" SHCS
651030	1/4-20 x 1 1/4" SHCS	651062	3/8-16 x 3/4" SHCS
651031	1/4-20 x 1 1/2" SHCS	651332	M6 x 12 mm SHCS
651489	1/4-20 x 2 1/2" SHCS	651334	M6 x 16 mm SHCS
651295	S/S 1/4-20 x 3/8" SHCS	651337	M6 x 20 mm SHCS
651297	S/S 1/4-20 x 1/2" SHCS	651338	M6 x 25 mm SHCS
651299	S/S 1/4-20 x 3/4" SHCS	651342	M8 x 12 mm SHCS
651286	S/S 1/4-20 x 1" SHCS	651344	M8 x 16 mm SHCS
651250	S/S 5/16-18 x 1/2" SHCS	651346	M8 x 20 mm SHCS
651252	S/S 5/16-18 x 5/8" SHCS	651350	M8 x 25 mm SHCS
651254	S/S 5/16-18 x 3/4" SHCS	651354	M8 x 30 mm SHCS
651257	S/S 5/16-18 x 7/8" SHCS		
651260	S/S 5/16-18 x 1" SHCS		
651262	S/S 5/16-18 x 1 1/4" SHCS		



10 SERIES / 25 SERIES ASSEMBLIES

ITEM #	DESCRIPTION
651235	1/4-20 x 1/2" SHCS & Drop In T-Nut
651236	1/4-20 x 5/8" SHCS & Economy T-Nut
651237	1/4-20 x 5/8" SHCS & Drop In T-Nut
651117	1/4-20 x 3/4" SHCS & Economy T-Nut
651175	1/4-20 x 3/4" SHCS & Drop In T-Nut
651118	1/4-20 x 7/8" SHCS & Economy T-Nut
651119	1/4-20 x 1" SHCS & Econ T-Nut
651120	1/4-20 x 1 1/4" SHCS & Econ T-Nut
651121	1/4-20 x 1-1/2" SHCS & Econ T-Nut
651483	1/4-20 x 2 1/2" SHCS & Economy T-Nut
651238	1/4-20 x 1/2" SHCS w/ Washer & Economy T-Nut
651239	1/4-20 x 1/2" SHCS w/ Washer & Drop In T-Nut
651240	1/4-20 x 5/8" SHCS w/ Washer & Economy T-Nut
651241	1/4-20 x 5/8" SHCS w/ Washer & Drop In T-Nut
651509	M6 x 12 mm SHCS & Economy T-Nut

15 SERIES / 40 SERIES ASSEMBLIES

ITEM #	DESCRIPTION
651199	5/16-18 x 1/2" SHCS & Economy T-Nut
651200	5/16-18 x 1/2" SHCS & Drop In T-Nut
651201	5/16-18 x 5/8" SHCS & Economy T-Nut
651203	5/16-18 x 5/8" SHCS & Drop In T-Nut
651202	5/16-18 x 3/4" SHCS & Economy T-Nut
651205	5/16-18 x 7/8" SHCS & Economy T-Nut
651207	5/16-18 x 7/8" SHCS & Drop In T-Nut
651209	5/16-18 x 5/8" SHCS w/ Washer & Economy T-Nut
651211	5/16-18 x 5/8" SHCS w/ Washer & Drop In T-Nut
651213	5/16-18 x 3/4" SHCS w/ Washer & Economy T-Nut
651215	5/16-18 x 3/4" SHCS w/ Washer & Drop In T-Nut
651198	5/16-18 x 7/8" SHCS w/ Washer & Hex Nut
651217	5/16-18 x 1" SHCS w/ Washer & Economy T-Nut
651218	5/16-18 x 1" SHCS w/ Washer & Drop In T-Nut

10 SERIES / 25 SERIES ASSEMBLIES (continued)

ITEM #	DESCRIPTION
651510	M6 x 12 mm SHCS & Standard T-Nut
651511	M6 x 12 mm SHCS & Drop In T-Nut

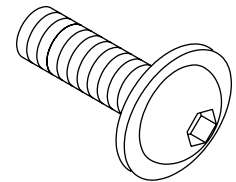
15 SERIES / 40 SERIES ASSEMBLIES (continued)

ITEM #	DESCRIPTION
651267	S/S 5/16-18 x 1/2" SHCS & Economy T-Nut
651268	S/S 5/16-18 x 5/8" SHCS & Economy T-Nut
651269	S/S 5/16-18 x 7/8" SHCS & Economy T-Nut
651270	S/S 5/16-18 x 3/4" SHCS w/ Washer & Economy T-Nut
651271	S/S 5/16-18 x 1" SHCS w/ Washer & Economy T-Nut
651307	S/S 5/16-18 x 5/8" SHCS w/ Washer & Economy T-Nut
651482	5/16-18 x 1 1/4" SHCS & Economy T-Nut
651487	5/16-18 x 1 1/2" SHCS & Economy T-Nut
651484	5/16-18 x 2 1/2" SHCS & Economy T-Nut
651485	5/16-18 x 3" SHCS & Economy T-Nut
651486	5/16-18 x 3 1/2" SHCS & Economy T-Nut
651512	M8 x 16 mm SHCS & Economy T-Nut
651513	M8 x 16 mm SHCS & Standard T-Nut
651514	M8 x 16 mm SHCS & Drop In T-Nut

» See page 01:02 for torque specifications.

FLANGED BUTTON HEAD SOCKET CAP SCREWS & ASSEMBLIES

ITEM #	DESCRIPTION
651169	1/4-20 x 3/8" Flanged BHSCS
651136	1/4-20 x 1/2" Flanged BHSCS
651026	1/4-20 x 3/4" Flanged BHSCS
651134	5/16-18 x 5/8" Flanged BHSCS
651135	5/16-18 x 1/2" Flanged BHSCS

**10 SERIES ASSEMBLIES**

ITEM #	DESCRIPTION
651002	1/4-20 x 3/8" FBHSCS w/ Washer & Hex Nut
651166	1/4-20 x 3/8" FBHSCS & Economy T-Nut
651223	1/4-20 x 3/8" FBHSCS & Drop In T-Nut
651130	1/4-20 x 1/2" FBHSCS & Economy T-Nut
651224	1/4-20 x 1/2" FBHSCS & Drop In T-Nut
651164	1/4-20 x 3/4" FBHSCS & Economy T-Nut
651228	1/4-20 x 3/4" FBHSCS & Drop In T-Nut
651142	1/4-20 x 1/2" FBHSCS & Double Economy T-Nut
651144	1/4-20 x 1/2" FBHSCS & Triple Economy T-Nut

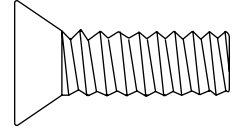
15 SERIES ASSEMBLIES

ITEM #	DESCRIPTION
651127	5/16-18 x 1/2" FBHSCS & Drop In T-Nut
651128	5/16-18 x 1/2" FBHSCS & Economy T-Nut
651129	5/16-18 x 5/8" FBHSCS & Economy T-Nut
651132	5/16-18 x 5/8" FBHSCS & Drop In T-Nut
651210	5/16-18 x 5/8" FBHSCS w/ Washer & Hex Nut
651141	5/16-18 x 5/8" FBHSCS & Double Economy T-Nut
651143	5/16-18 x 5/8" FBHSCS & Triple Economy T-Nut

Fasteners

FLATHEAD SOCKET CAP SCREW & ASSEMBLIES

ITEM #	DESCRIPTION
651188	6-32 x 3/8" FHSCS - Black Zinc
651005	10-32 x 1/2" FHSCS
651179	10-32 x 1/2" FHSCS - Black Zinc
651178	1/4-20 x 1/2" FHSCS - Black Zinc
651180	1/4-20 x 5/8" FHSCS - Black Zinc
651181	5/16-18 x 5/8" FHSCS - Black Zinc
651182	5/16-18 x 3/4" FHSCS - Black Zinc
651187	3/8-16 x 3/4" FHSCS - Black Zinc
651515	M6 x 12 mm FHSCS
651516	M6 x 16 mm FHSCS
651517	M8 x 16 mm FHSCS
651518	M8 x 20 mm FHSCS



ASSEMBLIES

ITEM #	DESCRIPTION
651185	1/4-20 x 1/2" FHSCS & Economy T-Nut - 10 S
651183	5/16-18 x 5/8" FHSCS & Economy T-Nut
651186	1/4-20 x 1/2" FHSCS & Drop In T-Nut - 10 S
651184	5/16-18 x FHSCS & Drop In T-Nut
651545	1/4-20 x 5/8" FHSCS & Economy T-nut - 15 S

LOWHEAD SOCKET CAP SCREW

ITEM #	DESCRIPTION
651474	1/4-20 x 3/8" LHSCS
651003	1/4-20 x 1" LHSCS
699955	5/16-18 x 5/8" LHSCS
651004	5/16-18 x 1 1/4" LHSCS

» See page 01:02 for torque specifications.

WASHERS AND HEX NUTS

WASHERS

ITEM #	DESCRIPTION
651016	10-32 Flat Washer
651080	1/4" Flat Washer
651081	5/16" Flat Washer
651082	3/8" Flat Washer
651083	1/2" Flat Washer

HEX NUTS

ITEM #	DESCRIPTION
651014	10-32 Hex Nut
651077	1/4-20 Hex Nut
651078	5/16-18 Hex Nut
651079	3/8-16 Hex Nut
651310	5/16-18 Bright Zinc Hex Nut

05 | DYNAMIC & STRUCTURAL HINGES

Dynamic hinges are made of 6000 series aluminum alloy with pre-lubricated bronze pivot bearings and hardened stripper bolt axles. The dynamic hinges are designed to give your design from 0 to 180 degrees of axial motion. Dynamic hinges are great for diverter gate applications and have a high load capacity.

Dynamic & Structural Hinges

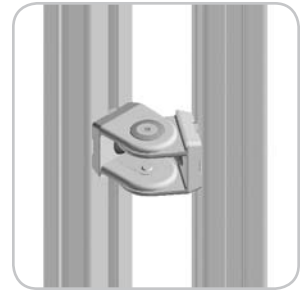
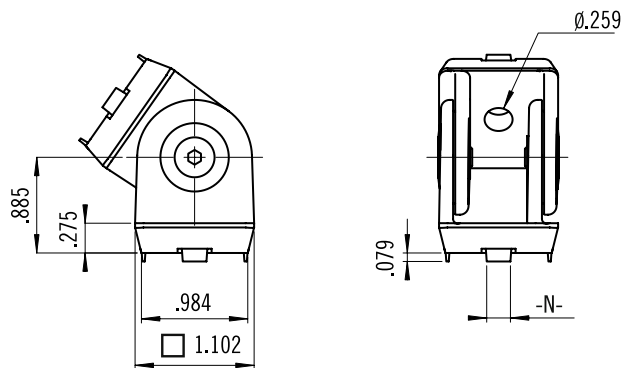
10 S STRUCTURAL & DYNAMIC PIVOT JOINT



ITEM #	DESCRIPTION
664084	10 S / 25 S Pivot Joint
664085	10 S / 25 S Pivot Joint w/ Locking Handle

- Bushing enables pivot to be both structural and dynamic
- Locating pins can be removed to accommodate both extrusion end and side mount assembly

» The 2 parts can replace all other 10 S hinges.



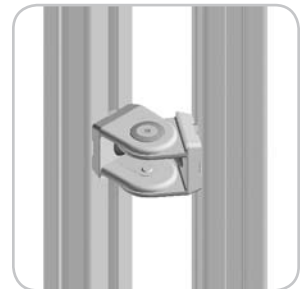
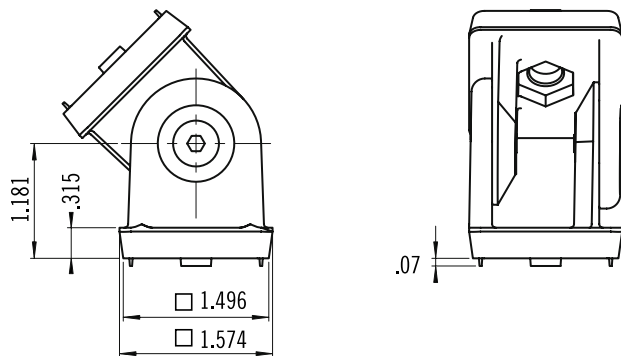
15 S STRUCTURAL & DYNAMIC PIVOT JOINT



ITEM #	DESCRIPTION
664086	15 S Pivot Joint
664087	15 S Pivot Joint w/ Locking Handle

- Bushing enables pivot to be both structural and dynamic
- Locating pins can be removed to accommodate both extrusion end and side mount assembly




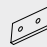

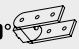




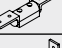



» The 2 parts can replace all other 15 S hinges.



10 SERIES DYNAMIC HINGES ^(25S)

INCLUDED BOLT ASSEMBLY - For arm to extrusion







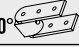
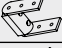

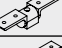



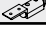
QTY	FOR ITEM #	DESCRIPTION
2	653114	1/4-20 x 1/2" FBHSCS & Double Economy T-Nut
4	653105	1/4-20 x 1/2" FHSCS & T-Nut

		IND PART NUMBERS				
		 653111	 653113	 653108	 653114	 653105
ASSEMBLY PART NUMBERS	 653110	1			2	
	 653112		1		2	
	 653109			1	2	
	 653101	1				2
	 653102		1			2
	 653104			1		2
	 653095	1			1	1
	 653096		1		1	1
 653097			1	1	1	

15 SERIES DYNAMIC HINGES

INCLUDED BOLT ASSEMBLY - For arm to extrusion

QTY	FOR ITEM #	DESCRIPTION
2	653211	5/16-18 x 5/8" FBHSCS & Double Economy T-Nut
4	653176	5/16-18 x 5/8" FHSCS & T-Nut

		IND PART NUMBERS				
		 653208	 653210	 653205	 653211	 653176
ASSEMBLY PART NUMBERS	 653207	1			2	
	 653209		1		2	
	 653206			1	2	
	 653154	1				2
	 653155		1			2
	 653156			1		2
	 653195	1			1	1
	 653196		1		1	1
 653147			1	1	1	

Dynamic & Structural Hinges

0° LIVING NUB

25S 10 S Item Number: **653111** 15 S Item Number: **653208**



PIVOT BOLT ASSEMBLY - Recommended bolt assembly to extrusion

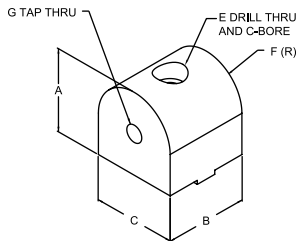
ITEM #	DESCRIPTION
651244	5/16 x 1/4 Stripper Bolt & Thrust Washer (10 S)
651243	3/8 x 3/8 Stripper Bolt & Thrust Washer (15 S)

FASTENERS INCLUDED

15 S	(1) 5/16-18 x 1 1/2" SHCS and Economy T-Nut
10 S	(1) 1/4-20 x 1" SHCS and Economy T-Nut

ITEM #	LBS	A	B	C	E	F	G
653111	.070	1.00	.937	1.00	1/4-20 SHCS	.50	1/4-20X.50
653208	.325	1.50	1.437	1.50	5/16-18 SHCS	.75	5/16-18X.75

» See page 05:02 for assemblies.



05:04

90° LIVING NUB

25S 10 S Item Number: **653113** 15 S Item Number: **653210**



PIVOT BOLT ASSEMBLY - Recommended bolt assembly to extrusion

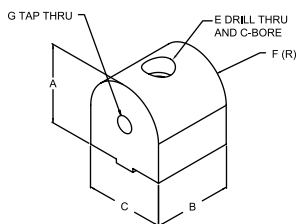
ITEM #	DESCRIPTION
651244	5/16 x 1/4 Stripper Bolt & Thrust Washer (10 S)
651243	3/8 x 3/8 Stripper Bolt & Thrust Washer (15 S)

FASTENERS INCLUDED

15 S	(1) 5/16-18 x 1 1/2" SHCS and Economy T-Nut
10 S	(1) 1/4-20 x 1" SHCS and Economy T-Nut

ITEM #	LBS	A	B	C	E	F	G
653113	.070	1.00	.937	1.00	1/4-20 SHCS	.50	1/4-20X.50
653210	.325	1.50	1.437	1.50	5/16-18 SHCS	.75	5/16-18X.75

» See page 05:02 for assemblies.



UNIVERSAL LIVING NUB

10 S Item Number: **653108** 15 S Item Number: **653205**



PIVOT BOLT ASSEMBLY - Recommended bolt assembly to extrusion

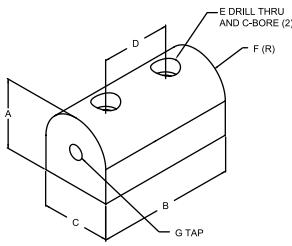
ITEM #	DESCRIPTION
651244	5/16x1/4 Stripper Bolt & Thrust Washer (10 S)
651243	3/8x3/8 Stripper Bolt & Thrust Washer (15 S)

FASTENERS INCLUDED

15 S	(2) 5/16-18 x 1 1/2" SHCS and Economy T-Nut
10 S	(2) 1/4-20 x 1" SHCS and Economy T-Nut

ITEM #	LBS	A	B	C	D	E	F	G
653108	.145	1.00	1.937	1.00	1.00	1/4-20 SHCS	.50	1/4-20X.50
653205	.325	1.50	2.937	1.50	1.50	5/16-18 SHCS	.75	5/16-18X.75

» See page 05:02 for assemblies.



STRAIGHT PIVOT ARM

10 S Item Number: **653114** 15 S Item Number: **653211**



PIVOT BOLT ASSEMBLY - Recommended bolt assembly to extrusion

ITEM #	DESCRIPTION
651244	5/16 x 1/4 Stripper Bolt & Thrust Washer (10 S)
651243	3/8 x 3/8 Stripper Bolt & Thrust Washer (15 S)

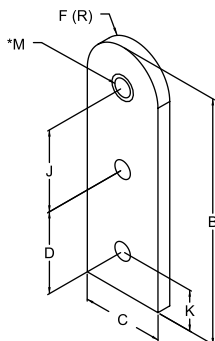
FASTENERS INCLUDED

15 S	(2) 5/16-18 x 5/8" FBHSCS and Double Economy T-Nut
10 S	(2) 1/4-20 x 1/2" FBHSCS and Double Economy T-Nut

ITEM #	A	B	C	D	F	H	J	K	M
653114	.188	3.00	1.00	1.00	.50	.257	1.00	.50	.312
653211	.25	4.50	1.50	1.50	.75	.328	1.50	.75	.375

*M is the internal diameter of the permanently lubricated bronze brushing

» See page 05:02 for assemblies.



Dynamic & Structural Hinges

"L" PIVOT ARM

25S 10 S Item Number: **653105** 15 S Item Number: **653176**



PIVOT BOLT ASSEMBLY - Recommended bolt assembly to extrusion

ITEM #	DESCRIPTION
651244	5/16 x 1/4 Stripper Bolt & Thrust Washer (10 S)
651243	3/8 x 3/8 Stripper Bolt & Thrust Washer (15 S)

FASTENERS INCLUDED

15 S	(2) 5/16-18 x 5/8" FBHSCS and Double Economy T-Nut
10 S	(2) 1/4-20 x 1/2" FBHSCS and Double Economy T-Nut

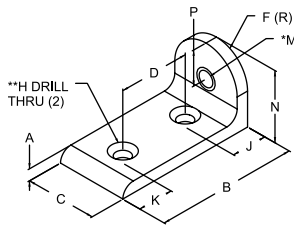
ITEM #	LBS	A	B	C	D	F	H	J	K	M	N	P
653105	.045	.188	2.00	1.00	1.00	.50	DR + C'SINK**	.50	.50	.312	1.00	.50
653176	.145	.25	3.00	1.50	1.50	.75	DR + C'SINK**	.75	.75	.375	1.50	.75

*M is the internal diameter of the permanently lubricated bronze brushing

**653105 has a drill thru and c'sink for 1/4-20 FHSCS

**653176 has a drill thru and c'sink for 5/16-18 FHSCS

» See page 05:02 for assemblies.



0° RIGHT ANGLE LIVING NUB

25S 10 S Item Number: **653022** 15 S Item Number: **653245**



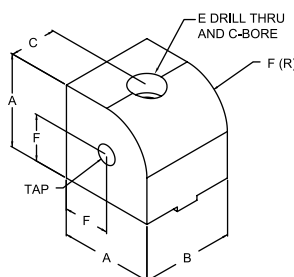
PIVOT BOLT ASSEMBLY - Recommended bolt assembly to extrusion

ITEM #	DESCRIPTION
651244	5/16 x 1/4 Stripper Bolt & Thrust Washer (10 S)
651243	3/8 x 3/8 Stripper Bolt & Thrust Washer (15 S)

FASTENERS INCLUDED

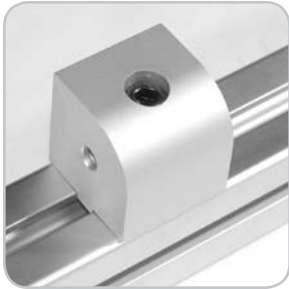
15 S	(1) 5/16-18 x 1 1/2" SHCS and Economy T-Nut
10 S	(1) 1/4-20 x 1" SHCS and Economy T-Nut

ITEM #	LBS	A	B	C	E	F	G
653022	.074	1.00	.937	.468	1/4-20 SHCS	.50	1/4-20X.50
653245	.327	1.50	1.437	.718	5/16-18 SHCS	.75	5/16-18X.75



90° RIGHT ANGLE LIVING NUB

10 S Item Number: **653023** 15 S Item Number: **653246**



ITEM #	DESCRIPTION
653023	10 S Right Angle 90° Living Nub
653246	15 S 90° Right Angle Living Nub

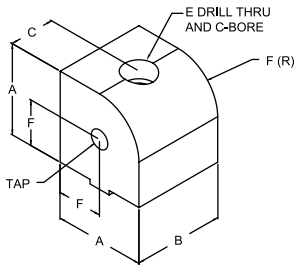
PIVOT BOLT ASSEMBLY - Recommended bolt assembly to extrusion

ITEM #	DESCRIPTION
651244	5/16 x 1/4 Stripper Bolt & Thrust Washer (10 S)
651243	3/8 x 3/8 Stripper Bolt & Thrust Washer (15 S)

FASTENERS INCLUDED

15 S	(1) 5/16-18 x 1 1/2" SHCS and Economy T-Nut
10 S	(1) 1/4-20 x 1" SHCS and Economy T-Nut

ITEM #	LBS	A	B	C	E	F	G
653023	.074	1.00	.937	.468	1/4-20 SHCS	.50	1/4-20X.50
653246	.327	1.50	1.437	.718	5/16-18 SHCS	.75	5/16-18X.75



UNIVERSAL RIGHT ANGLE LIVING NUB

10 S Item Number: **653024** 15 S Item Number: **653247**



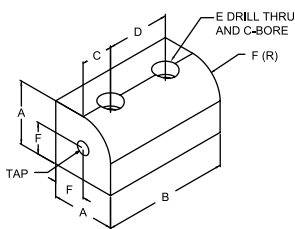
PIVOT BOLT ASSEMBLY - Recommended bolt assembly to extrusion

ITEM #	DESCRIPTION
651244	5/16 x 1/4 Stripper Bolt & Thrust Washer (10 S)
651243	3/8 x 3/8 Stripper Bolt & Thrust Washer (15 S)

FASTENERS INCLUDED

15 S	(2) 5/16-18 x 1 1/2" SHCS and Economy T-Nut
10 S	(2) 1/4-20 x 1" SHCS and Economy T-Nut

ITEM #	LBS	A	B	C	D	E	F	G
653024	.145	1.00	1.937	.468	1.00	1/4-20 SHCS	.50	1/4-20X.50
653247	.654	1.50	2.937	.718	1.50	5/16-18 SHCS	.75	5/16-18X.75



Dynamic & Structural Hinges

90° PIVOT BRACKET ASSEMBLY

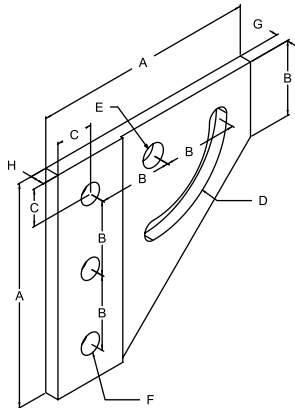


ASSEMBLY	PLATE ONLY	DESCRIPTION
653076	653070	10 S 90° Left Hand Pivot Bracket (25S)
653082	653074	10 S 90° Right Hand Pivot Bracket (25S)
653172	653166	15 S 90° Pivot Bracket Left Hand
653180	653170	15 S 90° Pivot Bracket Right Hand

BOLT ASSEMBLY - Recommended bolt assembly to extrusion (plate to slot)

QTY	ITEM #	DESCRIPTION
3	651130	1/4-20 x 1/2" FBHSCS and Economy T-Nut (10 S)
3	651129	5/16-18 x 5/8" FBHSCS and Economy T-Nut (15 S)

- 90 Degrees of motion
- Permanently lubricated bronze bushings at high strength pivot points
- Nylon washers between plate and extrusion allow for smooth motion
- Left and Right hand versions
- 10 and 15 Series sizes
- Assembly includes "L" handle, Nub, stripper bolt and nylon washer



ITEM #	LBS	A	B	C	D	E	F	G	H
653070	.105	3.00	1.00	.500	.265	.312	.281	.158	.188
653074	.105	3.00	1.00	.500	.265	.312	.281	.158	.188
653166	.325	4.50	1.50	.750	.328	.375	.328	.220	.250
653170	.325	4.50	1.50	.750	.328	.375	.3328	.220	.250





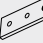






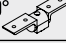
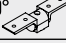
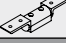



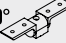





05:08

10 SERIES STRUCTURAL HINGES

INCLUDED BOLT ASSEMBLY - Extrusion to nub
1/4-20 x 1" SHCS & Econ T-Nut

INCLUDED BOLT ASSEMBLY - For arm to extrusion

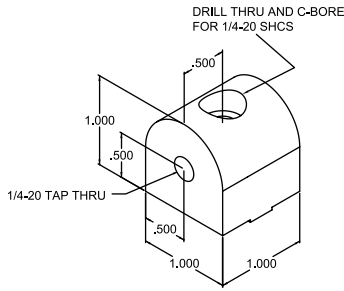
QTY	FOR ITEM #	DESCRIPTION
4	651130	1/4-20 x 1/2" FBHSCS & Economy T-Nut
2	651136	1/4-20 x 1/2" FBHSCS

		IND PART NUMBERS								
		 653116	 653117	 653115	 653083	 653119	 653000	 653001	 653002	
ASSEMBLY PART NUMBERS	 653120	1				2				
	 653121		1			2				
	 653118			1		2				
	 653087	1			2					
	 653088		1		2					
	 653090			1	2					
	RIGHT ANGLE									
	 653003					2	1			
	 653004					2		1		
	 653005					2			1	
	 653006				2		1			
	 653007				2			1		
	 653008				2				1	
	 653009				1	1	1			
	 653010				1	1		1		
	 653011				1	1			1	

Dynamic & Structural Hinges

10 SERIES - 0° Pivot Nub

Item Number: **653116**



RECOMMENDED ASSEMBLY FOR ARMS

QTY	DESCRIPTION	PART#
2	1/4-20 x 1/2" Flanged BHSCS	651136

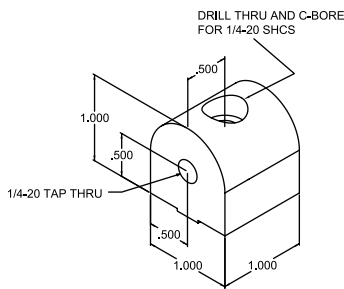
INCLUDED

1	1/4-20 x 1" SHCS & Economy T-Nut
---	----------------------------------

» See page 05:08 for assemblies.

10 SERIES - 90° Pivot Nub

Item Number: **653117**



RECOMMENDED ASSEMBLY FOR ARMS

QTY	DESCRIPTION	PART#
2	1/4-20 x 1/2" Flanged BHSCS	651136

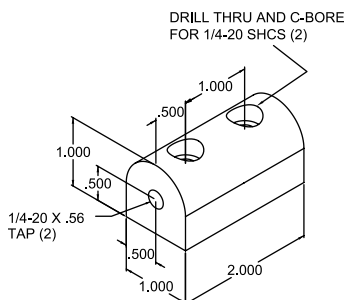
INCLUDED

1	1/4-20 x 1" SHCS & Economy T-Nut
---	----------------------------------

» See page 05:08 for assemblies.

10 SERIES - 2" Universal Pivot Nub

Item Number: **653115**



RECOMMENDED ASSEMBLY FOR ARMS

QTY	DESCRIPTION	PART#
2	1/4-20 x 1/2" Flanged BHSCS	651136

INCLUDED

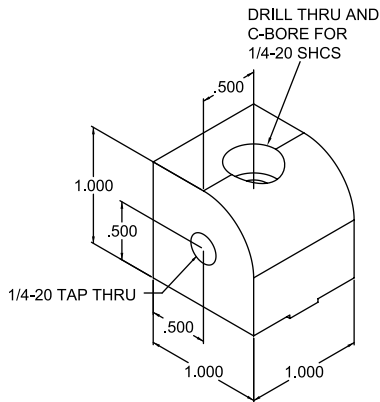
2	1/4-20 x 1" SHCS & Economy T-Nut
---	----------------------------------

» See page 05:08 for assemblies.

05:10

10 SERIES - Right Angle 0° Pivot Nub

Item Number: 653000



RECOMMENDED ASSEMBLY FOR ARMS

QTY	DESCRIPTION	PART#
2	1/4-20 x 1/2" Flanged BHSCS	651136

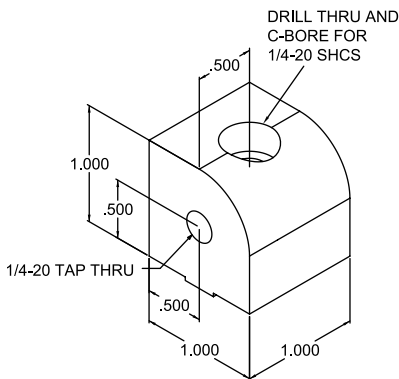
INCLUDED

1	1/4-20 x 1" SHCS & Economy T-Nut
---	----------------------------------

» See page 05:08 for assemblies.

10 SERIES - Right Angle 90° Pivot Nub

Item Number: 653001



RECOMMENDED ASSEMBLY FOR ARMS

QTY	DESCRIPTION	PART#
2	1/4-20 x 1/2" Flanged BHSCS	651136

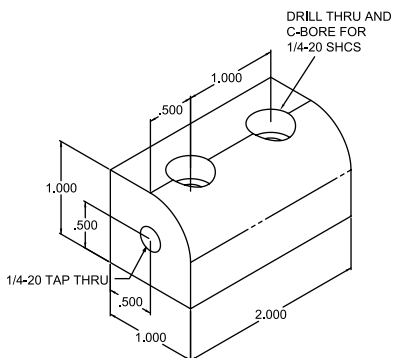
INCLUDED

1	1/4-20 x 1" SHCS & Economy T-Nut
---	----------------------------------

» See page 05:08 for assemblies.

10 SERIES - Right Angle Universal Pivot Nub

Item Number: 653002



RECOMMENDED ASSEMBLY FOR ARMS

QTY	DESCRIPTION	PART#
2	1/4-20 x 1/2" Flanged BHSCS	651136

INCLUDED

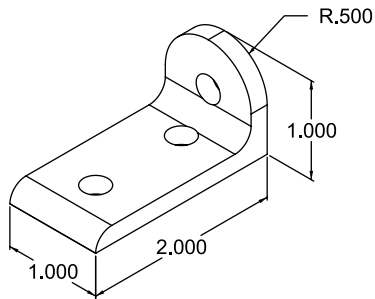
2	1/4-20 x 1" SHCS & Economy T-Nut
---	----------------------------------

» See page 05:08 for assemblies.

Dynamic & Structural Hinges

10 SERIES - "L" Pivot Arm

Item Number: **653083**



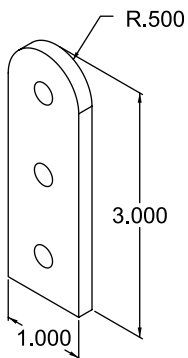
RECOMMENDED FASTENERS

QTY	DESCRIPTION	PART#
3	1/4-20 x 1/2" BHSCS & Economy T-Nut	651171

» See page 05:08 for assemblies.

10 SERIES - 3" Pivot Arm

Item Number: **653119**



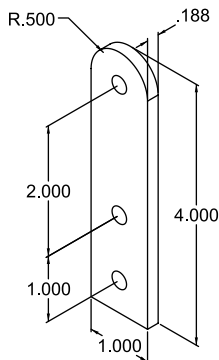
RECOMMENDED FASTENERS

QTY	DESCRIPTION	PART#
3	1/4-20 x 1/2" BHSCS & Economy T-Nut	651171

» See page 05:08 for assemblies.

10 SERIES - 4" Pivot Arm

Item Number: **653122**



RECOMMENDED FASTENERS

QTY	DESCRIPTION	PART#
3	1/4-20 x 1/2" FBHSCS & Economy T-Nut	651130

» See page 05:08 for assemblies.

05:12

15 SERIES STRUCTURAL HINGES

INCLUDED BOLT ASSEMBLY - Extrusion to nub
5/16-18 x 1/2" SHCS & Econ T-Nut

INCLUDED BOLT ASSEMBLY - For arm to extrusion

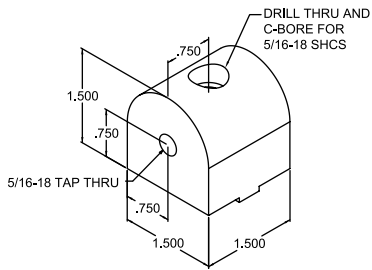
QTY	FOR ITEM #	DESCRIPTION
4	651129	5/16-18 x 5/8" FBHSCS & Econ T-Nut
2	651134	5/16-18 x 5/8" FBHSCS

		IND PART NUMBERS								
		653213	653214	653212	653181	653219	653223	653224	653225	
ASSEMBLY PART NUMBERS	0° 653220	1				2				
	90° 653221		1			2				
	653218			1		2				
	0° 653185	1			2					
	90° 653186		1		2					
	653188			1	2					
	0° 653189	1			1	1				
	90° 653190		1		1	1				
	653191			1	1	1				
	RIGHT ANGLE									
	0° 653226					2	1			
	90° 653227					2		1		
	653228					2			1	
	0° 653229				2		1			
	90° 653230				2			1		
	653231				2				1	
	0° 653232				1	1	1			
	90° 653233				1	1		1		
	653234				1	1			1	

Dynamic & Structural Hinges

15 SERIES - 0° Pivot Nub

Item Number: **653213**



RECOMMENDED ASSEMBLY FOR ARMS

QTY	DESCRIPTION	PART#
2	5/16-18 x 5/8" Flanged BHSCS	651134

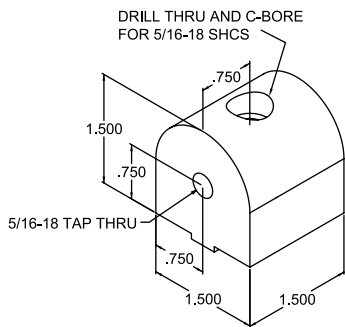
INCLUDED

1	5/16x1 1/2" SHCS & Economy T-Nut
---	----------------------------------

» See page 05:12 for assemblies.

15 SERIES - 90° Pivot Nub

Item Number: **653214**



RECOMMENDED ASSEMBLY FOR ARMS

QTY	DESCRIPTION	PART#
2	5/16-18 x 5/8" Flanged BHSCS	651134

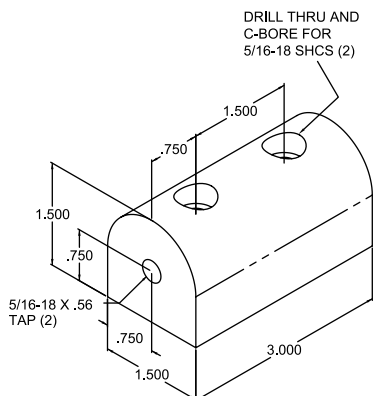
INCLUDED

1	5/16x1 1/2" SHCS & Economy T-Nut
---	----------------------------------

» See page 05:12 for assemblies.

15 SERIES - 3" Universal Pivot Nub

Item Number: **653212**



RECOMMENDED ASSEMBLY FOR ARMS

QTY	DESCRIPTION	PART#
2	5/16-18 x 5/8" Flanged BHSCS	651134

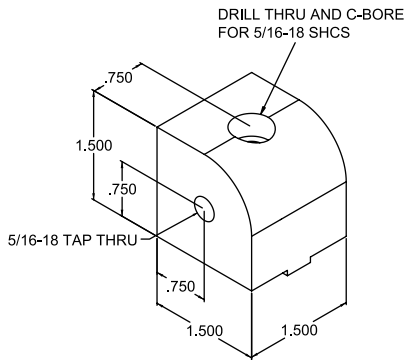
INCLUDED

2	5/16x1 1/2" SHCS & Economy T-Nut
---	----------------------------------

» See page 05:12 for assemblies.

15 SERIES - Right Angle 0° Pivot Nub

Item Number: **653223**



RECOMMENDED ASSEMBLY FOR ARMS

QTY	DESCRIPTION	PART#
2	5/16-18 x 5/8" Flanged BHSCS	651134

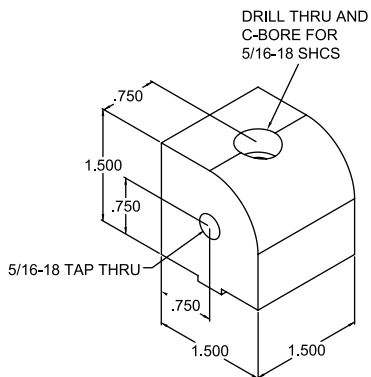
INCLUDED

1	5/16-18 x 1 1/2" SHCS & Economy T-Nut
---	---------------------------------------

» See page 05:12 for assemblies.

15 SERIES - Right Angle 90° Pivot Nub

Item Number: **653224**



RECOMMENDED ASSEMBLY FOR ARMS

QTY	DESCRIPTION	PART#
2	5/16-18 x 5/8" Flanged BHSCS	651134

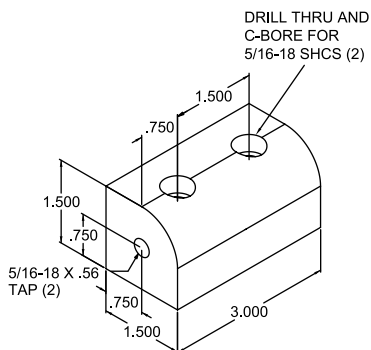
INCLUDED

1	5/16-18 x 1 1/2" SHCS & Economy T-Nut
---	---------------------------------------

» See page 05:12 for assemblies.

15 SERIES - Right Angle 3" Universal Pivot Nub

Item Number: **653225**



RECOMMENDED ASSEMBLY FOR ARMS

QTY	DESCRIPTION	PART#
2	5/16-18 x 5/8" Flanged BHSCS	651134

INCLUDED

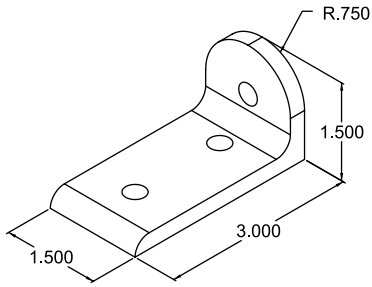
2	5/16-18 x 1 1/2" SHCS & Economy T-Nut
---	---------------------------------------

» See page 05:12 for assemblies.

Dynamic & Structural Hinges

15 SERIES - "L" Pivot Arm

Item Number: **653181**



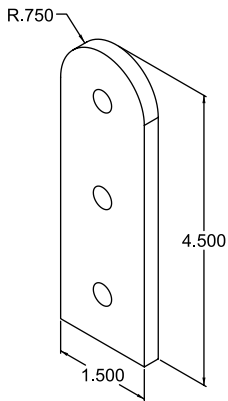
RECOMMENDED FASTENERS

QTY	DESCRIPTION	PART#
3	5/16-18 x 5/8" FBHSCS & Economy T-Nut	651129

» See page 05:12 for assemblies.

15 SERIES - 4.5" Pivot Arm

Item Number: **653219**



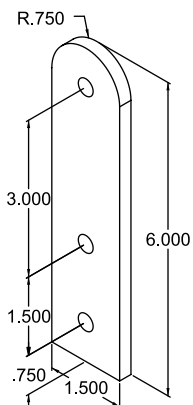
RECOMMENDED FASTENERS

QTY	DESCRIPTION	PART#
3	5/16-18 x 5/8" FBHSCS & Economy T-Nut	651129

» See page 05:12 for assemblies.

15 SERIES - 6" Pivot Arm

Item Number: **653222**



RECOMMENDED FASTENERS

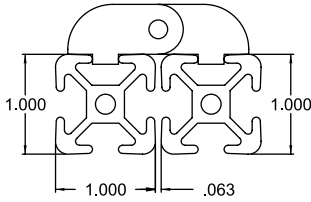
QTY	DESCRIPTION	PART#
3	5/16-18 x 5/8" Flanged BHSCS	651134

» See page 05:12 for assemblies.

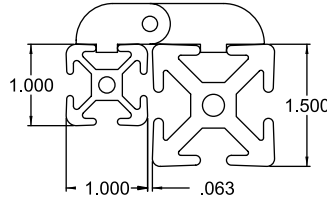
06 | TSLOTS HARDWARE

This section includes everything you need to build panels and doors for guarding, bi-fold doors, sliding doors or enclosures. If you need something to complete a project and we don't have it, please contact us and we will source it for you.

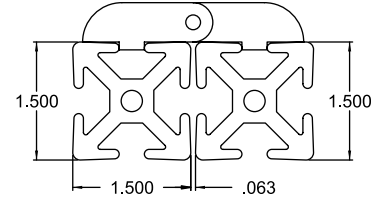
TSLOTS Hardware



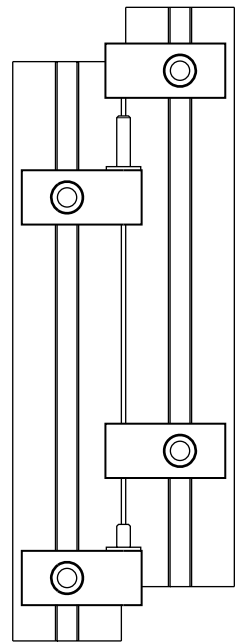
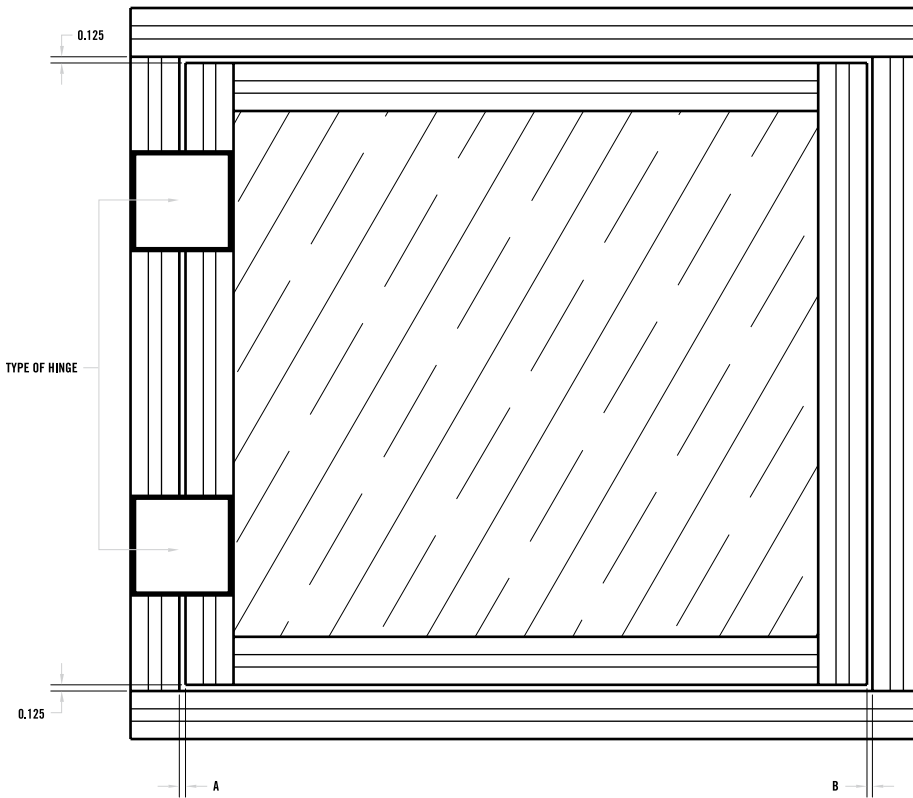
10 Series



10 to 15 Series



15 Series



HINGE TYPE	DIMENSION A	DIMENSION B
15 S Lift Off Hinge Assembly	.063"	.187"
10 S Lift Off Hinge Assembly	.063"	.187"
10 S to 15 S Lift Off Hinge Assembly	.063"	.187"
15 S Aluminum Hinge (655082)	.125"	.125"
10 S Aluminum Hinge (655083)	.063"	.187"
10 S to 15 S Aluminum Hinge (655081)	.125"	.125"

* Note: For all doors, make the door .25" smaller in height and width than the door frame.

UNIVERSAL DOOR HINGE



ITEM #	DESCRIPTION
655768	10 S & 15 S Universal Die Cast Hinge w/ Oblong Holes

LIFT OFF HINGES



10 SERIES - LIFT OFF HINGES ^(25S)

ITEM #	DESCRIPTION
655770	10 S Right Hand Lift-Off Hinge
655771	10 S Left Hand Lift-Off Hinge

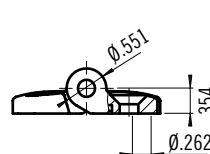
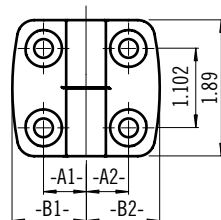
15 SERIES - LIFT OFF HINGES ^(40S)

ITEM #	DESCRIPTION
655774	15 S Right Hand Lift-Off Hinge w/ Long Pin
655773	15 S Left Hand Lift-Off Hinge w/ Long Pin

- Black, fiberglass reinforced nylon with stainless steel bolt
- FHSCS screw and nut combo recommended
- 651185 for 10S hinges
- 651545 for 15S hinges



ITEM #	A1	A2	B1	B2
655770	.590	.590	1.023	1.023
655771	.590	.590	1.023	1.023
655774	.787	.787	1.397	1.397
655773	.787	.787	1.397	1.397



TSLOTS Hardware

PLASTIC HINGES ADJUSTABLE



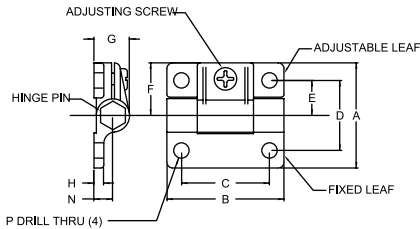
ITEM #	DESCRIPTION
655077	15 S Black Adjustable Hinge (40S)
655078	10 S Black Adjustable Hinge (25S)

RECOMMENDED BOLT ASSEMBLY TO EXTRUSION

QTY	ITEM #
2	651150 (for 655077)
2	651204 (for 655078)

RECOMMENDED BOLT ASSEMBLY TO 1/4" PANEL

QTY	ITEM #
2	651195 (for 655077)
2	651206 (for 655078)



- Allows you to mount plastic panels and doors directly to TSLOTS
- Adjustable hinge allows you to increase or decrease pivot tension
- Adjustable Hinges are not suitable for hinging two TSLOTS extrusions together
- 10 and 15 Series sizes

ITEM #	A	B	C	D	E	F	G	H	N	P
655077	2.25	2.50	1.88	1.50	0.75	1.125	.770	.200	.410	.328
655078	1.44	1.69	1.25	1.00	0.50	0.72	.500	.230	.270	.197

PLASTIC HINGES

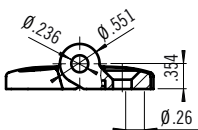
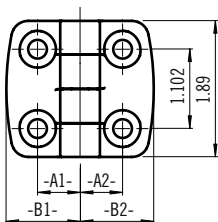


ITEM #	DESCRIPTION
655679	10 S Heavy Duty Plastic Hinge (25S)
655680	15 S Heavy Duty Plastic Hinge (40S)
655772	10 S to 15 S Heavy Duty Transition Hinge (25S) (40S)

RECOMMENDED BOLT ASSEMBLY

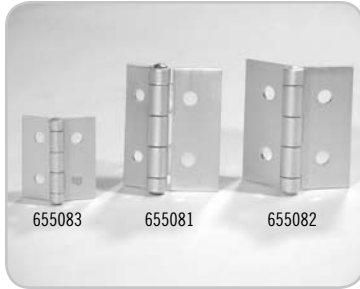
QTY	ITEM #
4	651185 (for 655679)
4	651024 & 651322 (for 655680)

- Black fiberglass reinforced nylon, stainless steel bolt
- Hinges TSLOTS Extrusions together
- 10 and 15 Series sizes



ITEM #	A1	A2	B1	B2
655679	.590	.590	1.023	1.023
655772	.590	.787	1.023	1.397
655680	.787	.787	1.397	1.397

ALUMINUM HINGE

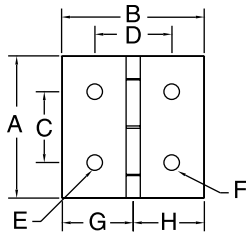


ITEM #	DESCRIPTION
655083	10 S Aluminum Hinge ^(25S)
655081	10 To 15 S Aluminum Transition Hinge
655082	15 S Aluminum Hinge ^(40S)

RECOMMENDED BOLT ASSEMBLY

QTY	ITEM #
4	(4) 651166 (For #655083)
4	(2) 651166 & (2) 655128 (For #655081)
4	(4) 651128 (For #655082)

- Mount heavier doors
 - 10 Series – 40 lb. capacity
 - 15 Series – 75 lb. capacity
- Hinges TSLOTS extrusions together
- Low profile mounts to T-Slot
- Clear anodize finish matches TSLOTS finish



ITEM #	CAPACITY	A	B	C	D	E	F	G	H
655083	40 lbs	2.00	2.00	1.00	1.063	.257(4)	N/A	1.00	1.00
655081	75 lbs	3.00	2.50	1.50	1.375	.328(2)	.257(2)	1.50	1.00
655082	75 lbs	3.00	3.00	1.50	1.625	.328(4)	N/A	1.50	1.50

DOOR HANDLES

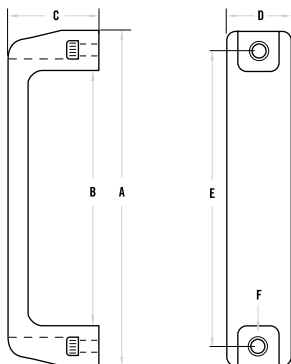


ITEM #	DESCRIPTION
655058	15 S Large Plastic Door Handle-Black ^(40S)
655059	15 S Medium Plastic Door Handle-Black ^(40S)
655060	10 S Small Plastic Door Handle-Black ^(25S)

RECOMMENDED BOLT ASSEMBLY

QTY	ITEM #
2	651234 (For Handle Item #655060)
2	651202 (For Handle Item #655059)
2	651202 (For Handle Item #655058)

- Mounts directly in T-Slot or machined panel
- Made of black nylon
- 10 and 15 Series sizes



ITEM #	SERIES	A	B	C	D	E	F
655060	10 S	4.41	2.95	1.42	.830	3.678	1/4" SHCS (2)
655059	15 S	5.59	3.69	1.57	1.02	4.80	1/4" SHCS (2)
655058	15 S	6.69	6.02	2.04	1.10	5.98	1/4" SHCS (2)

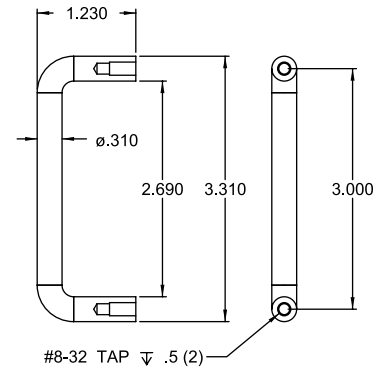
TSLOTS Hardware

STEEL DOOR HANDLES



ITEM # DESCRIPTION
 655068 Steel Door Handle (25S) (40S)

- Mounts directly to panel or door
- Fasteners included – (2) 8-32 x 1/2" BHSCS
- 10 and 15 Series compatible

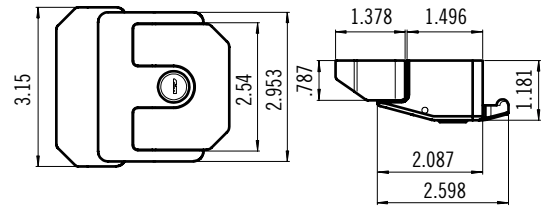


SLAM LATCH



ITEM # DESCRIPTION
 655769 Slam Latch w/ Unique Key
 664083 Slam Latch w/o Key

- Black powder coat
- 10 and 15 Series compatible
- Ideal for cabinets and guarding

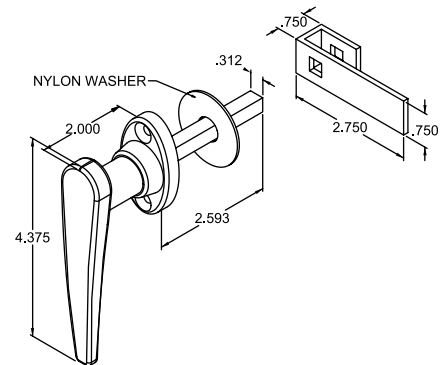


DELUXE DOOR HANDLE



ITEM # DESCRIPTION
 655053 Non-Locking Door Latch (25S) (40S)
 655061 Locking Door Latch w/Key (25S) (40S)

- Corrosion resistant chrome finish
- 15 Series size only
- Available in locking or non-locking handle
- Ideal for cabinets and guarding
- Fasteners Included – (2) 10-32 x 1 1/2" FHSCS
- Door Latch Milling Machining Service required – item number 660086, page 11:12.

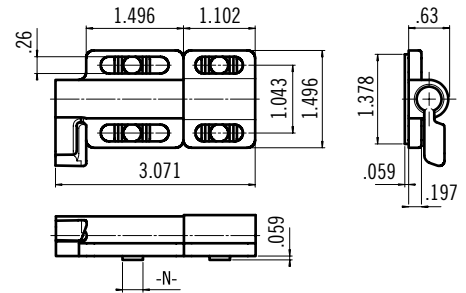


90° DEADBOLT LATCH



ITEM # 655103 DESCRIPTION Deadbolt Latch With Side Latch  

- Positive, spring loaded deadbolt
- Ideal for enclosure doors
- 10 and 15 Series compatible
- Fasteners included – 651022, 651075
- Stainless Steel bolt and spring



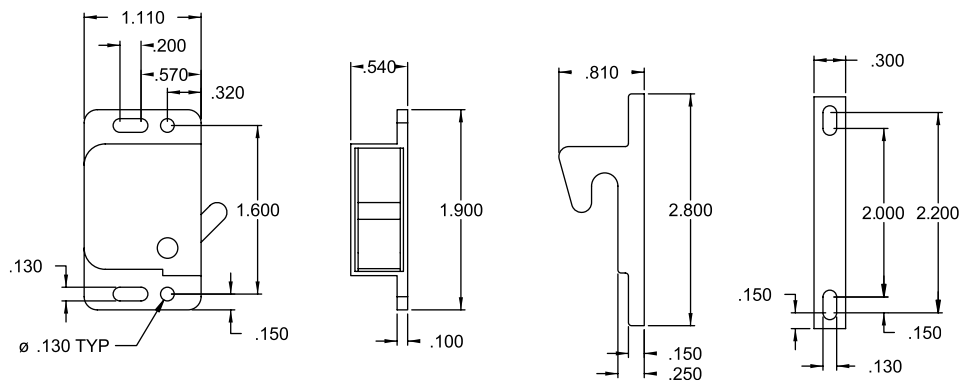
GRABBER™ DOOR CATCH



ITEM # 655067 DESCRIPTION 3 Lbs Pull Force Grabber Door Catch And Keeper
 655085 5 Lbs Pull Force Grabber Door Catch And Keeper
 655118 10 Lbs Pull Force Grabber Door Catch And Keeper

- Mounts inside your enclosure
- Push to close, pull to open
- Spring loaded over center action
- 3 pull-up forces to choose from
- Corrosion resistant black ABS
- 10 and 15 Series compatible
- Mounts to TSLOTS using Mounting Plates seen below.
- Fasteners included – (4) 6-32 BHSCS for mounting plates

Grabber™ Door Catch is a registered trademark of Southco, Inc.



TSLOTS Hardware

GRABBER™ DOOR CATCH MOUNTING PLATES

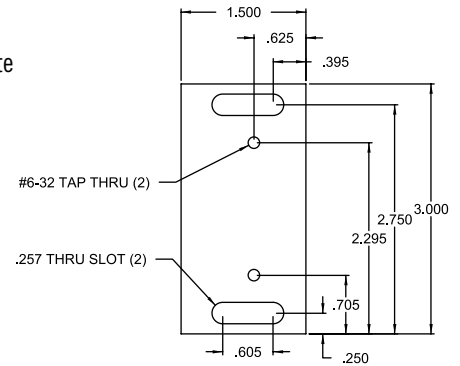


ITEM #	DESCRIPTION
651117	10 & 15 S Grabber™ Door Catch Mounting Plate

RECOMMENDED FASTENERS

ITEM #	SERIES	DESCRIPTION
651155	10 S	Drop In T-Nut Kit
651156	10 S	Drop In T-Nut Kit
651224	15 S	Economy T-Nut Kit
651130	15 S	Economy T-Nut Kit

- Mounts Grabber™ Door Catch to TSLOTS
- Made from 1/4" clear anodized aluminum
- 10 and 15 Series Compatible

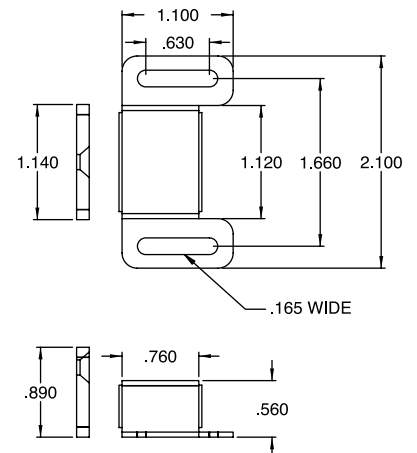


MAGNETIC DOOR CATCH



ITEM #	DESCRIPTION
655087	Magnetic Door Catch

- Ideal for latching panels in place
- 10 and 15 Series compatible
- Use with all TSLOTS extrusions
- Fasteners included
- To mount to extrusion, use either Magnetic Door Catch Bracket or Door Catch Mounting Plate on page 06:11 - for 0° or 90° connection.

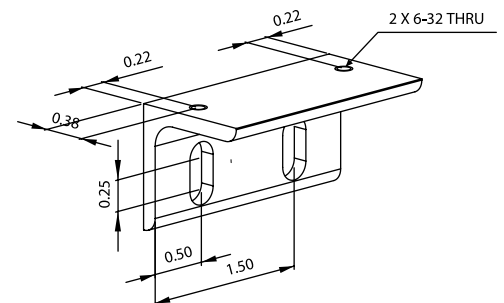


MAGNETIC DOOR CATCH BRACKET



ITEM #	DESCRIPTION
655471	Magnetic Door Catch Bracket

- Ideal for catching a framed-in extrusion door
- Use with Magnetic Door Catch
- 10 and 15 Series compatible
- Fasteners included – (2) 651080, (2) 651022, (2) 651163



DOUBLE BALL CATCH



ITEM #	DESCRIPTION
657169	Double Ball Catch
699769	Double Ball Catch Mounting Bracket, Screws and T-nuts Kit

- Brass - chrome plated
- Fasten using countersunk screws

TOP MOUNT BIFOLD DOOR HANGER ASSEMBLY





ITEM #	DESCRIPTION
655057	10 S Top Mount Bifold Door Hanger 
655050	15 S Top Mount Bifold Door Hanger 

- Allows you to make a sliding or bifold door without using a bottom sliding rail.
- 10 and 15 Series compatible
- Fastens to extrusion end
- Rotates freely as door pivots
- Made from UHMW polyethelene

TOP MOUNT BIFOLD DOOR HANGER PROFILE




ITEM #	DESCRIPTION
657054	10 S Bifold Door Hanger Profile 
657087	15 S Bifold Door Hanger Profile 

- Allows you to make your own door hangers
- 10 and 15 Series compatible
- 120" stock length

TLOTS Hardware

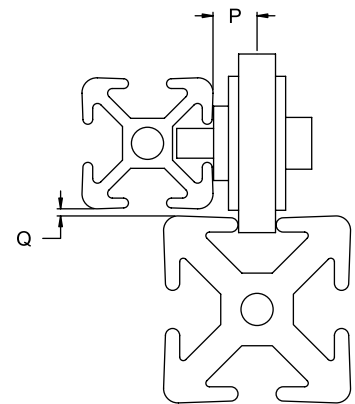
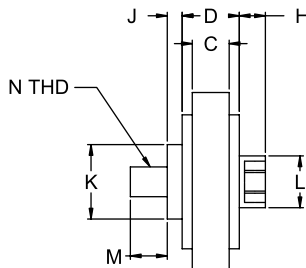
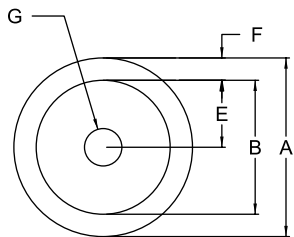
BLACK NYLATRON ROLLER WHEELS



ITEM #	DESCRIPTION
655222	10 S Roller Wheel 
655223	10 S To 15 S Roller Wheel
655224	15 S Economy Roller Wheel
655221	15 S Deluxe Roller Wheel

- Use for guided linear motion
- Mounts to extrusion end or in T-Slot
- Made of high strength black nylontrax
- Fasteners included
- 10 and 15 Series sizes

ITEM #	A	B	C	D	E	F	G	H	J	K	L	M	N	Q	P
655221	2	1.625	0.31	0.72	0.812	0.188	0.375	0.25	0.125	0.75	0.562	0.375	5/16-18	0.06	0.485
655224	2	1.625	0.31	0.72	0.812	0.188	0.375	0.25	0.125	0.75	0.562	0.375	5/16-18	0.06	0.485
655223	1.5	1.125	0.31	0.48	0.563	0.188	0.314	0.219	0.125	0.625	0.435	0.31	1/4-20	0.06	0.37
655222	1.5	1.125	0.24	0.48	0.563	0.188	0.314	0.219	0.125	0.625	0.435	0.31	1/4-20	0.06	0.37



		MOUNTS TO								
		1 x 1	1 x 2	2 x 2	1.5 x 1.5	1.5 x 1.5L	1.5 x 3.0	1.5 x 3.0L	1.5 x 4.5	3 x 3
ROLLS IN	1 x 1	655222			655221 & 655224					
	1 x 2									
	2 x 2									
	1.5 x 1.5	655223								
	1.5 x 1.5L									
	1.5 x 3.0									
	1.5 x 3.0L									
	1.5 x 4.5									
	3 x 3									

ROLLER WHEEL BRACKETS AND ASSEMBLIES

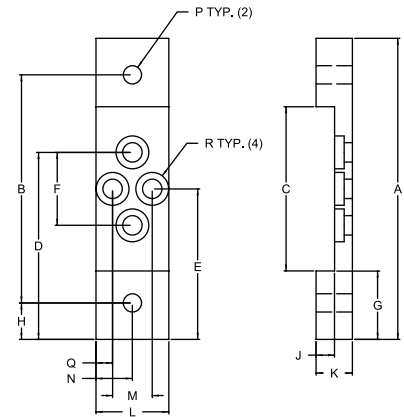


- Ideal for framed doors
- Assembly part numbers include roller wheels
- Fasteners included for both assembly and bracket part numbers

ITEM #	DESCRIPTION
655472	1010 Roller Wheel Bracket (25S)
655473	1010 Roller Wheel Bracket w/ 655222 (25S)
655474	1020 Roller Wheel Bracket (25S)
655475	1020 Roller Wheel Bracket w/ 655222 (25S)
655476	15 S Roller Wheel Bracket
655477	15 S Roller Wheel Bracket w/ 655221
655478	15 S Roller Wheel Bracket w/ 655224
655479	15 S Roller Wheel Bracket
655480	1530 Roller Wheel Bracket w/ 655221
655481	1530 Roller Wheel Bracket w/ 655224

INCLUDED HARDWARE

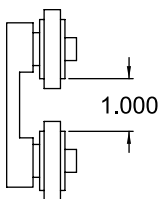
QTY	SERIES	DESCRIPTION
2	10 S	1/4-20 x 3/8" LHSCS
2	10 S	1/4-20 Std T-Nut
2	15 S	5/16-18 x 5/8" LHSCS
2	15 S	5/16-18 Std T-Nut



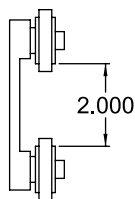
ITEM #	A	B	C	D	E	F	G	H	J	K	L	M	N	Q	P
655472	3.125	2.125	1.25	1.897	1.563	0.669	0.938	0.5	0.255	0.5	1	0.544	0.5	0.228	1/4-20
655474	4.125	3.125	2.25	2.562	2.063	1	0.938	0.5	0.255	0.5	1	0.544	0.5	0.228	1/4-20
655476	4.625	3.125	1.75	2.743	2.313	0.86	1.438	0.75	0.39	0.75	1.5	0.735	0.75	0.383	5/16-18
655479	6.125	4.625	3.25	3.813	3.063	1.5	1.438	0.75	0.39	0.75	1.5	0.735	0.75	0.383	5/16-18

ROLLER WHEEL BRACKETS AND ASSEMBLIES

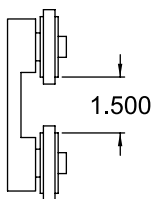
655473



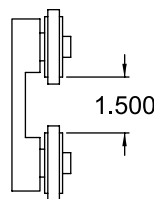
655475



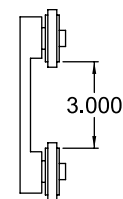
655477



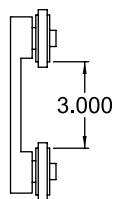
655478



655480



655481



ASSEMBLY PART #	INDIVIDUAL PART NUMBER							
	655472	655474	655476	655479	655222	655223	655221	655224
655473	1				2			
655475		1			2			
655477			1				2	
655480				1			2	
655478			1					2
655481				1				2

TSLOTS Hardware

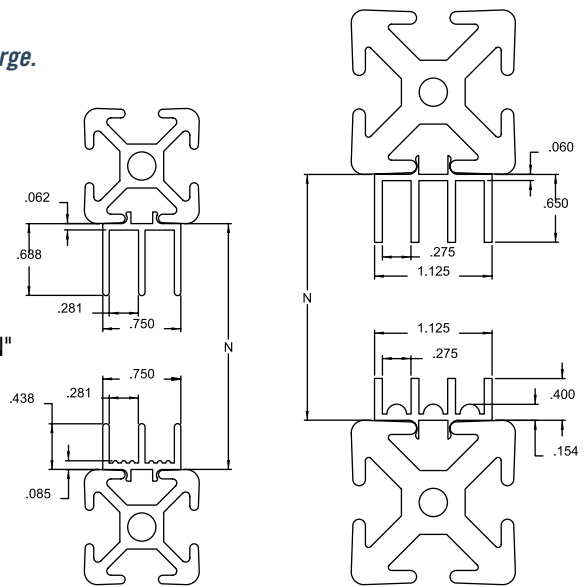
DOOR SLIDE TRACK



ITEM #	DESCRIPTION
655189	10 S Upper Door Slide Track
655191	10 S Lower Door Slide Track
655188	15 S Upper Door Slide Track
655190	15 S Lower Door Slide Track

- Snaps into T-Slot
- Deeper slot in upper track allows panel to be inserted after frame is assembled
- Radius bearing surface in lower track allows for easier sliding
- 10 and 15 Series sizes
- 145" stocked length

» See page 11:05 for miscellaneous cut charge.

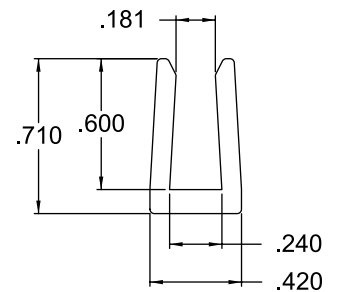


PANEL STIFFENER

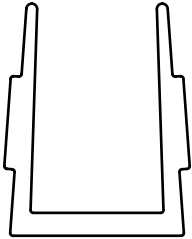


ITEM #	LENGTH	DESCRIPTION
655285	72"	Aluminum Panel Stiffener

- Increases the rigidity of 1/4" panels



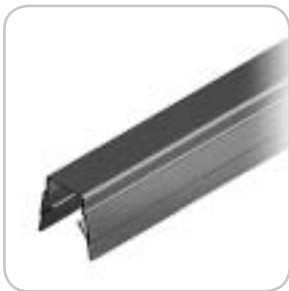
ECONOMY PLASTIC PANEL GASKET



ITEM #	DESCRIPTION
655639	10 S Economy Plastic Panel Gasket ^(25S)
655638	15 S Economy Plastic Panel Gasket ^(40S)

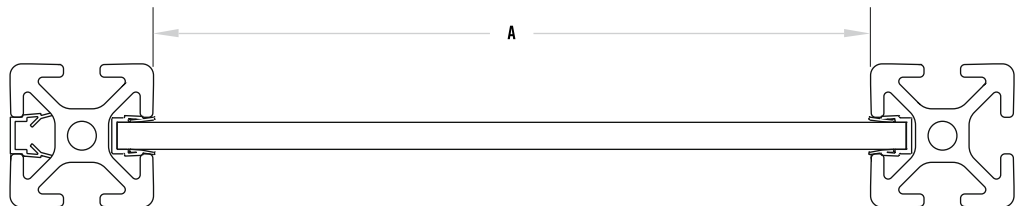
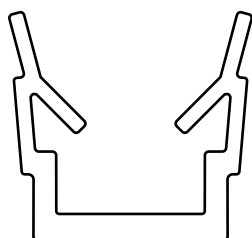
◦ Stocked in 96" lengths

DELUXE PLASTIC PANEL GASKET



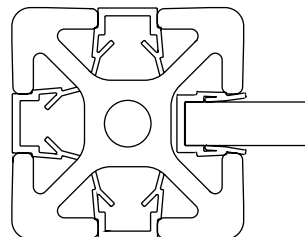
ITEM #	DESCRIPTION
655640	10 S Deluxe Plastic Panel Gasket ^(25S)
655641	15 S Deluxe Plastic Panel Gasket ^(40S)
655760	15 S Deluxe Plastic Panel Gasket - Yellow ^(40S)
655761	15 S Deluxe Plastic Panel Gasket - Natural ^(40S)
655762	15 S NBR - Black ^(40S)

- 10 S and 15 S Sizes
- The deluxe gasket can also be used as a T-Slot cover
- 15 S deluxe gasket will accommodate 3/16" and 1/4" panels
- 10 S deluxe gasket will accommodate 1/8" and 3/16" panels
- Made of HDPE
- Stocked in 96" lengths - Yellow & Natural stocked in 2 M lengths



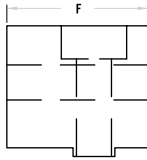
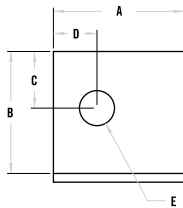
15 SERIES / 40 SERIES
TO CALCULATE PANEL HEIGHT,
ADD .75" TO "A"

10 SERIES / 25 SERIES
TO CALCULATE PANEL HEIGHT,
ADD .50" TO "A"



TSLOTS Hardware

PANEL MOUNT BLOCK

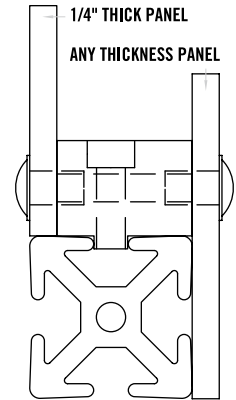


ITEM #	DESCRIPTION
655286	15 S Panel Mount Block
655288	10 S Panel Mount Block

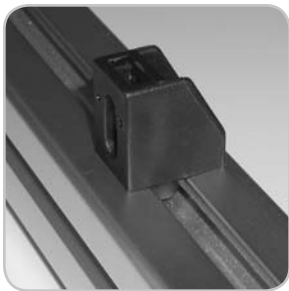
655288 mounts 3/16" panels flush with 10 Series extrusions
 655286 mounts 1/4" panels flush with 15 Series extrusions

- Allows you to mount panel flush or offset with extrusion
- Simplifies adding or removing panels
- Drilling panel required
- Fasteners included

ITEM #	A	B	C	D	E	F
655288	0.75	0.7	0.325	0.25	1/4-20 TAP THRU	0.812
655286	1	0.88	0.44	0.39	5/16-18 TAP THRU	1.25

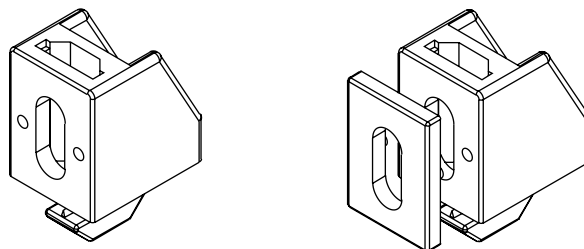


NYLON PANEL MOUNT BLOCK




ITEM #	DESCRIPTION
655681	15 Series Nylon Panel Mount Block

- 15 Series Compatible
- Panel inserts from the top then twists 90° to lock into place.
- Includes 1/4-20 x 1" Mounting Screw
- Includes 2 Shims, One to mount a 1/4" panel flush to the extrusion and one to mount the 1/4" panel on the outside of the extrusion.
- Made of Black Nylon
- .5" offset from edge for hole placement of panel.



PANEL MOUNT BRACKET



ITEM #	DESCRIPTION
655289	10 S Panel Mount Bracket 
655291	15 S Panel Mount Bracket 

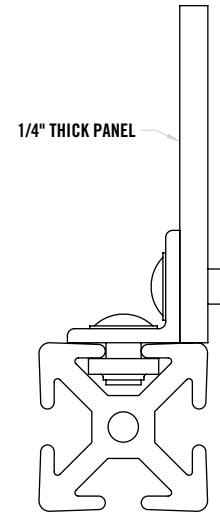
RECOMMENDED FASTENERS FOR EXTRUSION

QTY	ITEM #
1	651166 (For Bracket Number #655289)
1	651128 (For Bracket Number #655291)

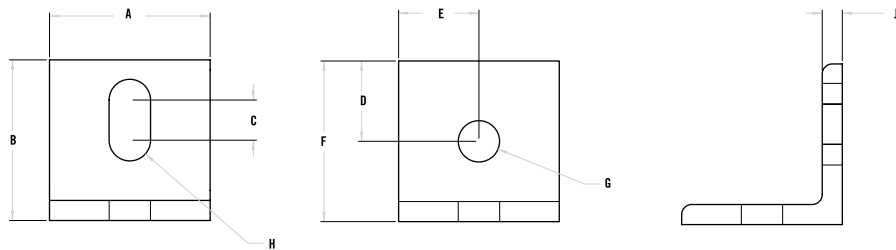
RECOMMENDED FASTENERS FOR 1/4" PANEL

QTY	ITEM #
1	651002 (For Bracket Number #655289)
1	651210 (For Bracket Number #655291)

- Lower cost alternative than Panel Mount Block
- Mounts 1/4" panel flush with 15 Series extrusion
- Slotted hole makes alignment easy
- Drilling panel required
- 10 and 15 Series sizes



ITEM #	A	B	C	D	E	F	G	H	J
655289	1.00	1.00	0.25	0.5	0.5	1.00	0.257	0.129	0.125
655291	1.00	1.00	0.25	0.5	0.5	1.00	0.328	0.164	0.125



CUP HOLDER



ITEM #	DESCRIPTION
655763	Open Bottom  

- Black Nylon

TSLOTS Hardware

PANEL RETAINER



ITEM #	DESCRIPTION
655329	10 S 1" Panel Retainer
655330	10 S 2" Panel Retainer
655295	15 S 1.5" Single Panel Retainer
655294	15 S 3" Single Panel Retainer
664039	40 S Single Panel Retainer

RECOMMENDED FASTENERS FOR EXTRUSION

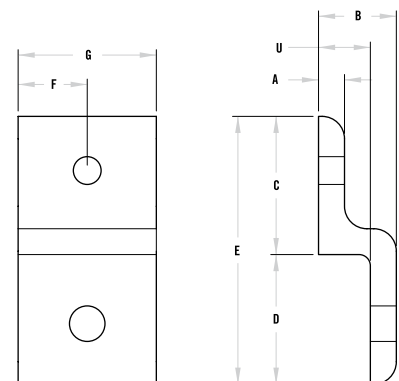
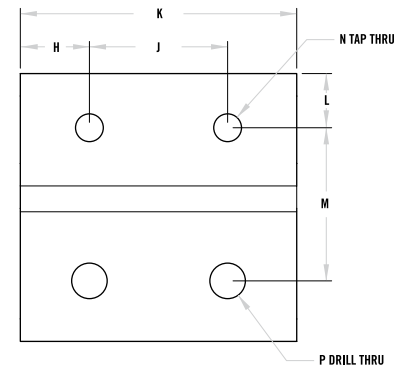
QTY	ITEM #
1	651130 (For Bracket Number #655329)
1	651129 (For Bracket Number #655295)
2	651130 (For Bracket Number #655330)
2	651129 (For Bracket Number #655294)

RECOMMENDED FASTENERS FOR 1/4" PANEL

QTY	ITEM #
1	651169 (For Bracket Number #655329)
1	651135 (For Bracket Number #655295)
2	651169 (For Bracket Number #655330)
2	651135 (For Bracket Number #655294)



- Strongest way to retain panels
- Simplifies panel installation and removal
- Drilling panel required
- 10 and 15 Series sizes

	655329	655295	655330	655294
A	0.188	0.25	0.188	0.25
B	0.563	0.84	0.563	0.84
C	1	1.5	1	1.5
D	0.938	1.379	0.938	1.379
E	1.938	2.879	1.938	2.879
F	0.5	0.75		
G	1	1.5		
H			0.5	0.75
J			1	1.5
K			2	3.00
L	0.392	0.594	0.392	0.594
M	1.108	1.656	1.108	1.656
N	1/4-20	5/16-18	1/4-20	5/16-18
P	0.257	0.328	0.257	0.328
U	0.375	0.59	0.375	0.59



DOUBLE PANEL RETAINER



ITEM #	DESCRIPTION
655343	1" Double Panel Retainer 
655344	2" Double Panel Retainer 
655345	1.5" Double Panel Retainer
655346	3" Double Panel Retainer

RECOMMENDED FASTENERS FOR EXTRUSION

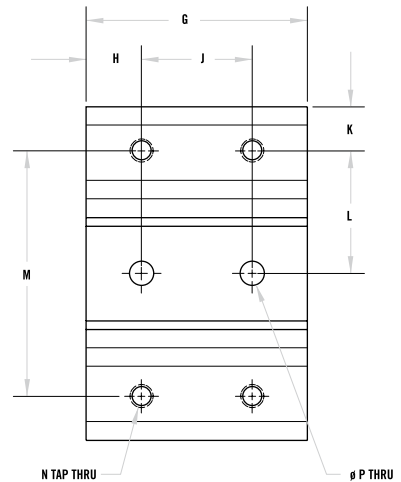
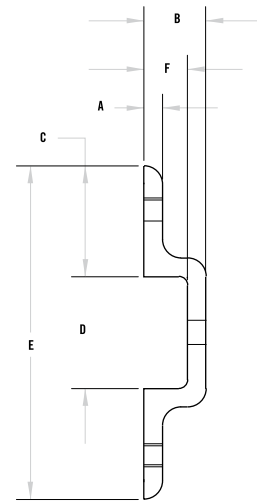
QTY	ITEM #
1	651130 (For 655343)
2	651130 (For 655344)
1	651129 (For 655345)
2	651129 (For 655346)

RECOMMENDED FASTENERS FOR 1/4" PANEL

QTY	ITEM #
2	651169 (For 655343)
4	651169 (For 655344)
2	651135 (For 655345)
4	651135 (For 655346)

- Strongest way to retain panels
- Simplifies panel installation and removal

	655343	655344	655345	655346
A	0.188	0.188	0.250	0.250
B	0.563	0.563	0.840	0.840
C	1.000	1.000	1.500	1.500
D	1.021	1.021	1.523	1.523
E	3.021	3.021	4.523	4.523
F	0.375	0.375	0.590	0.590
G	1.000	2.000	1.500	3.000
H	0.500	0.500	0.750	0.750
J		1.000		1.500
K	0.392	0.392	0.594	0.594
L	1.118	1.118	1.666	1.666
M	2.237	2.237	3.335	3.335
N	1/4-20	1/4-20	5/16-18	5/16-18
P	0.257	0.257	0.328	0.328



TSLOTS Hardware

MESH PANEL RETAINER



- Strongest way to retain wire mesh
- Prevents wire mesh from pushing out of T-Slot
- Simplifies installation and removal of wire mesh
- 10 and 15 Series sizes

*Fasteners for gauge wire included.

ITEM #	DESCRIPTION
655323	1" Mesh Retainer ^(25S)
655293	1.5" Single Mesh Retainer
655326	2" Mesh Retainer ^(25S)
655292	3" Single Mesh Retainer
655324	1" Mesh Retainer w/ Backing Plate * ^(25S)
655299	1.5" Backing Plate
655297	1.5" Single Mesh Retainer w/ Backing Plate *
655327	2" Mesh Retainer w/ Backing Plate * ^(25S)
655296	3" Single Mesh Retainer w/ Double Backing Plate *
655325	1" Backing Plate ^(25S)
655299	Backing Plate For 1.5" Mesh Retainer
655328	2" Backing Plate ^(25S)
655298	3" Double Backing Plate
664066	40 S Single Mesh Retainer w/ Backing Plate

RECOMMENDED FASTENERS FOR EXTRUSION

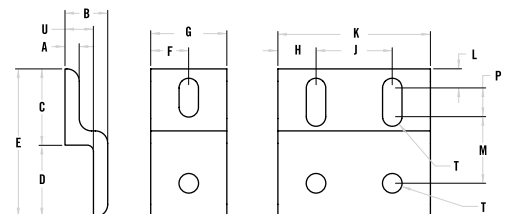
QTY	ITEM #
1	651130 (For Retainer Number #655324) & 655323
1	651129 (For Retainer Number #655297) & 655293
2	651130 (For Retainer Number #655327) & 655326
2	651129 (For Retainer Number #655296) & 655292

RECOMMENDED FASTENERS FOR GAUGE WIRE

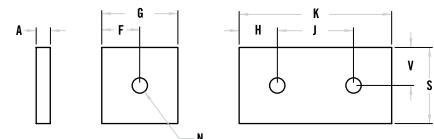
QTY	ITEM #
1	651023 (For Retainer Number #655323)
1	651053 (For Retainer Number #655293)
2	651023 (For Retainer Number #655326)
2	651053 (For Retainer Number #655292)

	655324	655297	655327	655296
A	0.188	0.25	0.188	0.25
B	0.563	0.84	0.563	0.84
C	1	1.5	1	1.5
D	0.938	1.379	0.938	1.379
E	1.938	2.879	1.938	2.879
F	0.5	0.75		
G	1	1.5		
H			0.5	0.75
J			1	1.5
K			2	3
L	0.25	0.344	0.25	0.344
M	0.875	1.406	0.875	1.406
N	1/4-20	5/16-18	1/4-20	5/16-18
P	0.375	0.5	0.375	0.5
S	1	1.5	1	1.5
T	0.255	0.328	0.255	0.328
U	0.375	0.59	0.375	0.59
V	0.5	0.75	0.5	0.75

MESH RETAINER DETAIL



BACKING PLATE DETAIL



^(25S) 25 Series Compatible

^(40S) 40 Series Compatible

DOUBLE MESH PANEL RETAINER



- Prevents panels from pushing out
- Simplifies installation and removal

ITEM #	DESCRIPTION
655351	1" Double Mesh Retainer (25S)
655353	2" Double Mesh Retainer (25S)
655347	1.5" Double Mesh Retainer
655349	3" Double Mesh Retainer
655352	1" Double Mesh Retainer with Backing Plates * (25S)
655354	2" Double Mesh Retainer with Double Backing Plates * (25S)
655348	1.5" Double Mesh Retainer with Backing Plates *
655350	3" Double Mesh Retainer with Double Backing Plates *
655325	1" Backing Plate (25S)
655328	2" Double Backing Plate (25S)
655299	1.5" Backing Plate
655298	3" Double Backing Plate

**Fasteners for gauge wire included.*

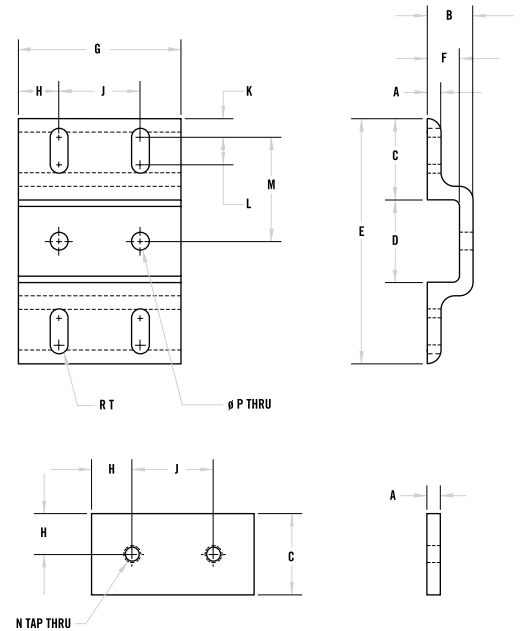
RECOMMENDED FASTENERS FOR EXTRUSION

QTY	ITEM #
1	651130 (For 655351 & 655352)
2	651130 (For 655353 & 655354)
1	651129 (For 655347 & 655348)
2	651129 (For 655349 & 655350)

RECOMMENDED FASTENERS FOR GAUGE WIRE

QTY	ITEM #
2	651169 (For 655351)
4	651169 (For 655353)
2	651135 (For 655347)
4	651135 (For 655349)

	655351	655353	655347	655349
A	0.188	0.188	0.250	0.250
B	0.563	0.563	0.840	0.840
C	1.000	1.000	1.500	1.500
D	1.021	1.021	1.523	1.523
E	3.021	3.021	4.523	4.523
F	0.375	0.375	0.590	0.590
G	1.000	2.000	1.500	3.000
H	0.500	0.500	0.750	0.750
J		1.000		1.500
K	0.250	0.250	0.344	0.344
L	0.375	0.375	0.500	0.500
M	1.230	1.230	1.916	1.916
N	1/4-20	1/4-20	5/16-18	5/16-18
P	0.257	0.257	0.328	0.328
T	0.128	0.128	0.164	0.164



TSLOTS Hardware

PLASTIC PANELS



» See page 11:10 for machining services.

» See page 06:22 for area calculation matrix.

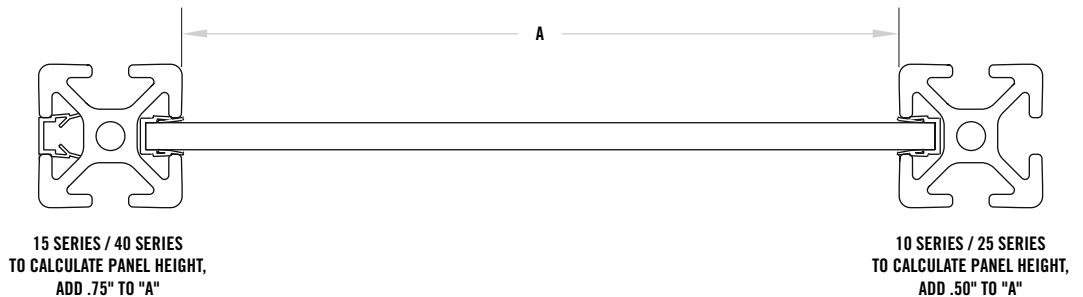
ITEM #	DESCRIPTION	THICKNESS	SHEET SIZE
655424	1/4" Clear Acrylic	0.236	4' x 8'
655425	3/16" Clear Acrylic	0.177	4' x 8'
655426	1/4" White Acrylic	0.236	4' x 8'
655427	3/16" White Acrylic	0.177	4' x 8'
655428	1/4" Black Acrylic	0.236	4' x 8'
655429	3/16" Black Acrylic	0.177	4' x 8'
655430	1/4" Bronze Acrylic	0.236	4' x 8'
655431	3/16" Bronze Acrylic	0.177	4' x 8'
655432	1/4" Clear Polycarbonate	0.236	4' x 8'
655433	3/16" Clear Polycarbonate	0.177	4' x 8'
655434	1/4" Bronze Polycarbonate	0.236	4' x 8'
655435	3/16" Bronze Polycarbonate	0.177	4' x 8'
655448	1/4" Gray Polycarbonate	0.236	4' x 8'
655449	3/16" Gray Polycarbonate	0.177	4' x 8'
655690	6mm Black HDPE	0.236	4' x 8'
655691	6mm Blue HDPE	0.236	4' x 8'
655695	1/4" Red HDPE	0.236	4' x 8'
655436	1/4" Black Haircell ABS	0.236	4' x 8'
655437	3/16" Black Haircell ABS	0.177	4' x 8'
655438	6mm White Expanded PVC	6mm	4' x 8'
655439	3mm White Expanded PVC	3mm	4' x 8'
655440	6mm Black Expanded PVC	6mm	4' x 8'
655441	3mm Black Expanded PVC	3mm	4' x 8'
655442	6mm Red Expanded PVC	6mm	4' x 8'
655443	3mm Red Expanded PVC	3mm	4' x 8'
655444	6mm Blue Expanded PVC	6mm	4' x 8'
655445	3mm Blue Expanded PVC	3mm	4' x 8'
655446	6mm Gray Expanded PVC	6mm	4' x 8'
655447	3mm Gray Expanded PVC	3mm	4' x 8'
655450	6mm Yellow Expanded PVC	6mm	4' x 8'
655451	3mm Yellow Expanded PVC	3mm	4' x 8'

◦ Use for guarding, enclosures, shelving, cabinets, etc.

◦ Machining Service – Panel Cut to Size 660062 & 660063

◦ Panels are ordered by the sq. ft.

◦ All panels can be used in 10, 15, 25 and 40 Series slots



ALUCOBOND® PANELS











ITEM #	DESCRIPTION
655457	Alucobond 4mm Panel - Platinum  

- Silver painted .020" thick aluminum sheets separated by a thermoplastic core
- Lower cost alternative than a 1/4" thick aluminum panel
- Machining Service - Panel Cut to Size 660062 & 660063
- Stock panel size 48" x 120"

» See page 11:10 for cut to size services.
 » See page 06:22 for area calculation matrix.

ALUMALITE® PANELS

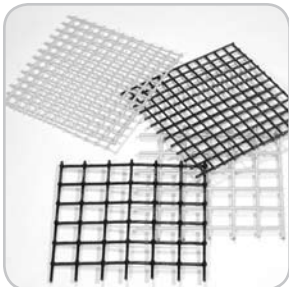


ITEM #	DESCRIPTION	SIZE
655452	6mm Alupalite Panel - Blue  	4' x 8'
655453	6mm Alupalite Panel - Red  	4' x 8'
655454	6mm Alupalite Panel - Silver  	4' x 8'
655455	6mm Alupalite Panel - Yellow  	4' x 8'

- Super lightweight
- Ideal for low impact enclosures
- Stock panel size 48" x 96"

» See page 11:10 for cut to size services.
 » See page 06:22 for area calculation matrix.

PVC COATED WIRE MESH



ITEM #	DESCRIPTION	WIRE GAUGE	THICKNESS
655318	1/2" x 1/2" Black PVC Coated Wire Mesh  	16	.14"
655319	1/2" x 1/2" Yellow PVC Coated Wire Mesh  	16	.14"
655316	1" x 1" Black PVC Coated Wire Mesh  	12	.21"
655317	1" x 1" Yellow PVC Coated Wire Mesh  	12	.21"

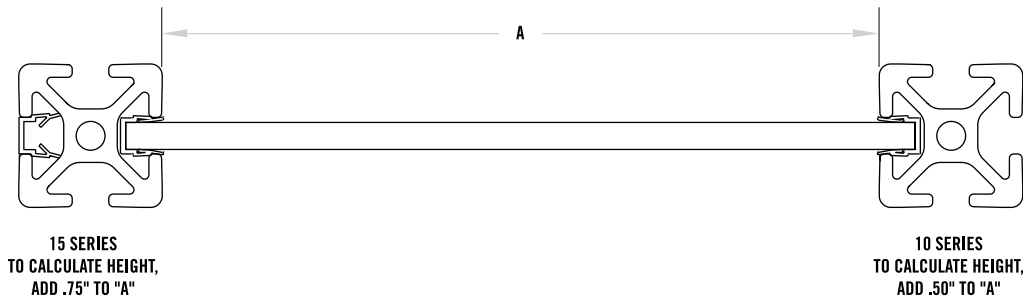
- Stocked in 4' x 8' sheets
- Cutting available - see page 11:10
- Use calculation matrix on page 06:22 to measure area
- Machining service - panel cut to size 660060 & 660061

TSLOTS Hardware

AREA CALCULATION MATRIX

HOW TO USE THE MATRIX

- Round both length and width dimensions up to the next 6" increment
- Find the length and width along the top and side of area calculation matrix
- Find the area in square feet at the intersection of the length and width matrix



		WIDTH									
		6"	12"	18"	24"	30"	36"	42"	48"	54"	60"
LENGTH	6"	0.25	0.50	0.75	1.00	1.25	1.50	1.75	2.00	2.25	2.50
	12"	0.50	1.00	1.50	2.00	2.50	3.00	3.50	4.00	4.50	5.00
	18"	0.75	1.50	2.25	3.00	3.75	4.50	5.25	6.00	6.75	7.50
	24"	1.00	2.00	3.00	4.00	5.00	6.00	7.00	8.00	9.00	10.00
	30"	1.25	2.50	3.75	5.00	6.25	7.50	8.75	10.00	11.25	12.50
	36"	1.50	3.00	4.50	6.00	7.50	9.00	10.50	12.00	13.50	15.00
	42"	1.75	3.50	5.25	7.00	8.75	10.50	12.25	14.00	15.75	17.50
	48"	2.00	4.00	6.00	8.00	10.00	12.00	14.00	16.00	18.00	20.00
	54"	2.25	4.50	6.75	9.00	11.25	13.50	15.75	18.00	20.25	22.50
	60"	2.50	5.00	7.50	10.00	12.50	15.00	17.50	20.00	22.50	25.00
	66"	2.75	5.50	8.25	11.00	13.75	16.50	19.25	22.00	24.75	27.50
	72"	3.00	6.00	9.00	12.00	15.00	18.00	21.00	24.00	27.00	30.00
	78"	3.25	6.50	9.75	13.00	16.25	19.50	22.75	26.00	29.25	32.50
	84"	3.50	7.00	10.50	14.00	17.50	21.00	24.50	28.00	31.50	35.00
	90"	3.75	7.50	11.25	15.00	18.75	22.50	26.25	30.00	33.75	37.50
	96"	4.00	8.00	12.00	16.00	20.00	24.00	28.00	32.00	36.00	40.00
	102"	4.25	8.50	12.75	17.00	21.25	25.50	29.75	34.00	38.25	42.50
108"	4.50	9.00	13.50	18.00	22.50	27.00	31.50	36.00	40.50	45.00	

06:22

SLATWALL PANELS



ITEM #	DESCRIPTION
599900	12'6" Slatwall Panel
301901	12' Channel 3/4" x 1/2"

RECOMMENDED FASTENERS FOR 10 S TSLOTS

QTY	ITEM #	DESCRIPTION
1	653273	10 to 15 S - 2 Hole Transition Strip
1	651130	1/4-20 x 1/2" FBHSCS & Economy T-Nut
1	651129	5/16-18 x 5/8" FBHSCS & Economy T-Nut

RECOMMENDED FASTENERS FOR 15 S TSLOTS

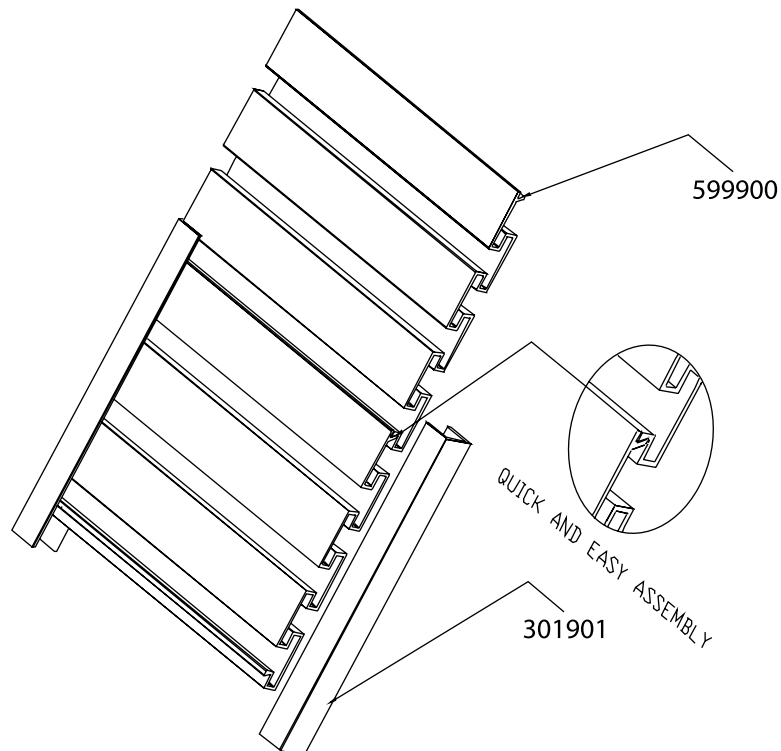
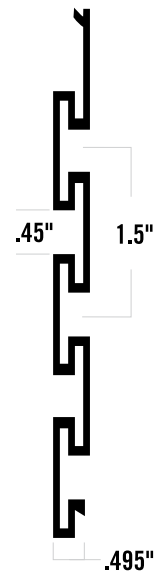
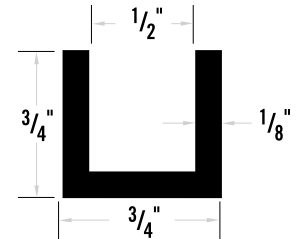
QTY	ITEM #	DESCRIPTION
1	653141	15 S 2 Hole Joining Strip
2	651129	5/16-18 x 5/8" FBHSCS & Economy T-Nut

CALCULATION FORMULA FOR NUMBER OF PANELS NEEDED

$$\frac{(\text{Desired Panel Height} - 0.335)}{4.6}$$

» *Custom size panels are available.*

» *Round to the next full panel.*



TSLOTS Hardware

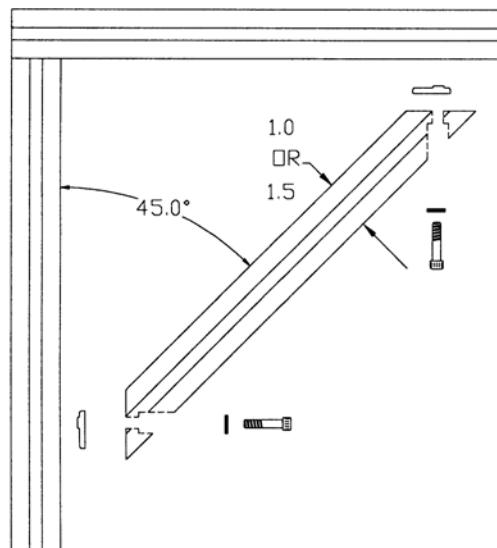
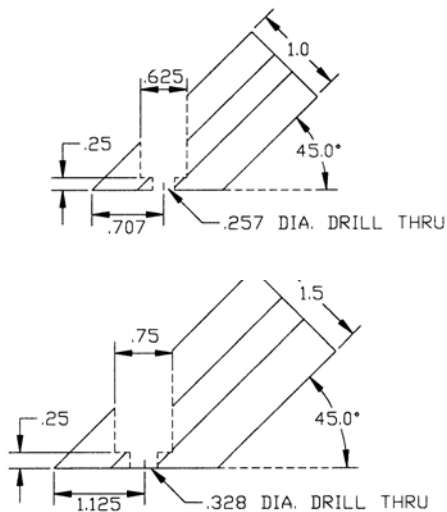
45° SUPPORT

ITEM #	DESCRIPTION	INCLUDED HARDWARE	QTY
655371	1010 x 6" 45° Support	1/4-20 x 5/8" SHCS, Washer & Economy T-Nut	2
655375	1010 x 12" 45° Support	1/4-20 x 5/8" SHCS, Washer & Economy T-Nut	2
655380	1010 x 18" 45° Support	1/4-20 x 5/8" SHCS, Washer & Economy T-Nut	2
655372	1020 x 6" 45° Support	1/4-20 x 5/8" SHCS, Washer & Economy T-Nut	4
655373	1020 x 12" 45° Support	1/4-20 x 5/8" SHCS, Washer & Economy T-Nut	4
655374	1020 x 18" 45° Support	1/4-20 x 5/8" SHCS, Washer & Economy T-Nut	4
655355	1515 x 6" 45° Support	5/16-18 x 3/4" SHCS, Washer & Economy T-Nut	2
655359	1515 x 12" 45° Support	5/16-18 x 3/4" SHCS, Washer & Economy T-Nut	2
655363	1515 x 18" 45° Support	5/16-18 x 3/4" SHCS, Washer & Economy T-Nut	2
655365	1515 x 24" 45° Support	5/16-18 x 3/4" SHCS, Washer & Economy T-Nut	2
655367	1515-Lite x 12" 45° Support	5/16-18 x 3/4" SHCS, Washer & Economy T-Nut	2
655368	1515-Lite x 6" 45° Support	5/16-18 x 3/4" SHCS, Washer & Economy T-Nut	2
655369	1515-Lite x 18" 45° Support	5/16-18 x 3/4" SHCS, Washer & Economy T-Nut	2
655370	1515-Lite x 24" 45° Support	5/16-18 x 3/4" SHCS, Washer & Economy T-Nut	2
655357	1530 x 6" 45° Support	5/16-18 x 3/4" SHCS, Washer & Economy T-Nut	4
655361	1530 x 12" 45° Support	5/16-18 x 3/4" SHCS, Washer & Economy T-Nut	4
655364	1530 x 18" 45° Support	5/16-18 x 3/4" SHCS, Washer & Economy T-Nut	4
655366	1530 x 24" 45° Support	5/16-18 x 3/4" SHCS, Washer & Economy T-Nut	4
655381	1530-Lite x 6" 45° Support	5/16-18 x 3/4" SHCS, Washer & Economy T-Nut	4
655382	1530-Lite x 12" 45° Support	5/16-18 x 3/4" SHCS, Washer & Economy T-Nut	4
655383	1530-Lite x 18" 45° Support	5/16-18 x 3/4" SHCS, Washer & Economy T-Nut	4
655384	1530-Lite x 24" 45° Support	5/16-18 x 3/4" SHCS, Washer & Economy T-Nut	4
655356	1545 x 6" 45° Support	5/16-18 x 3/4" SHCS, Washer & Economy T-Nut	6
655358	1545 x 12" 45° Support	5/16-18 x 3/4" SHCS, Washer & Economy T-Nut	6
655360	1545 x 18" 45° Support	5/16-18 x 3/4" SHCS, Washer & Economy T-Nut	6
655362	1545 x 24" 45° Support	5/16-18 x 3/4" SHCS, Washer & Economy T-Nut	6

» All 45 degree supports have hardware already attached and come as an assembly.

- Create 45° supports without external joining plates or connectors.
- Custom lengths to your specifications.

15



END CAPS

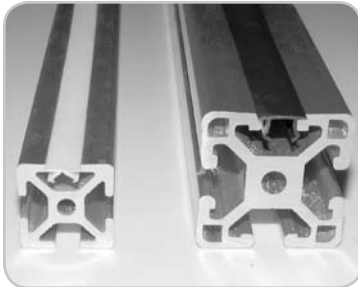


ITEM #	DESCRIPTION
655000	1" x 1" End Cap Black
655005	1" x 1" QR End Cap Black
655010	1" x 2" End Cap Black
655015	1" x 3" End Cap
655020	2" x 2" End Cap Black
655025	1.5" x 1.5" / 1.5" x 1.5" Lite End Cap Black
655030	1.5" x 1.5" QR End Cap Black
655035	1.5" x 3" / 1.5" x 3" Lite End Cap Black
655040	1.5" x 4.5" End Cap Black
655045	3" x 3" End Cap Black

- Allows you to cap off extrusion ends
- Push in fasteners included
- Can be mounted with 1/4-20 or 5/16-18 fasteners
- 10 and 15 Series sizes

» See page 04:09 for extra push in fasteners.

TSLOT COVERS



ITEM #	DESCRIPTION
655107	10 S Yellow T-Slot Cover 
655108	10 S Black T-Slot Cover 
655109	10 S Gray T-Slot Cover 
655104	15 S Yellow T-Slot Cover 
655105	15 S Black T-Slot Cover 
655106	15 S Gray T-Slot Cover 

- Covers T-Slot to keep dust and dirt out
- Covers wires and tubes in T-Slot
- Stocked in 96" lengths

TSLOT COVER PROFILE

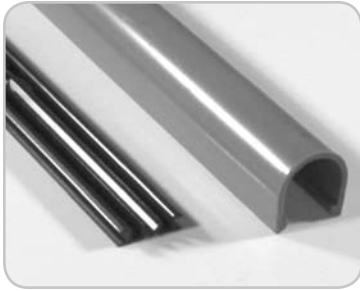


ITEM #	DESCRIPTION
655762	15 S NBR - Black 

- Can be used as an anti-slip stair tread

TSLOTS Hardware

CART GUARD®



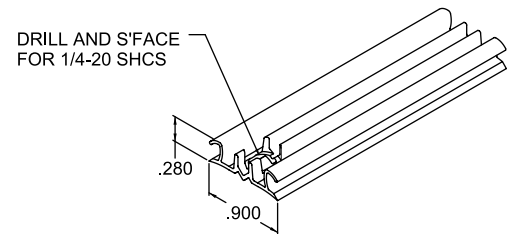
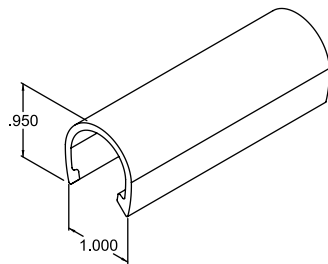
ITEM #	DESCRIPTION
655541	Cart Guard® Mounting Base
655542	Cart Guard® Cover – Black
655543	Cart Guard® Cover – Gray
655544	Cart Guard® Cover – Red
655545	Cart Guard® Cover – Blue

RECOMMENDED FASTENERS

QTY	ITEM #	DESCRIPTION
1*	651229	1/4-20 x 3/8" SHCS & Economy T-Nut

*1 for every 4" of Cart Guard® Mounting Base

- 1" x 1" PVC Bumper
- Bolt on Mounting Base allows Cart Guard® Cover to snap to TSLOTS frame
- Stock length 144"

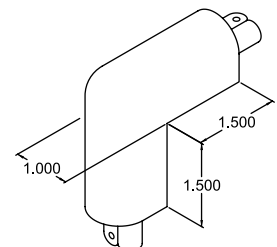
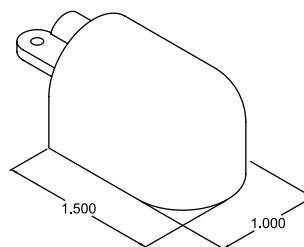
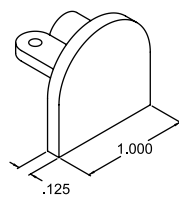


CART GUARD® CORNERS



COLOR	CORNER	SQUARE	ROUND
Black	655554	655550	655546
Gray	655555	655551	655547
Red	655556	655552	655548
Blue	655557	655553	655549

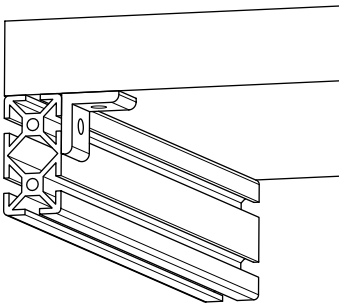
- End options: Square, Round, 90°
- Caps off exposed ends



LAMINATED TABLE TOPS



ITEM #	DESCRIPTION
655509	30" x 48" x 1.25" Laminated Table Top – Gray
655510	30" x 48" x 1.25" Laminated Table Top – Almond
655511	30" x 60" x 1.25" Laminated Table Top – Gray
655512	30" x 60" x 1.25" Laminated Table Top – Almond
655513	30" x 72" x 1.25" Laminated Table Top – Gray
655514	30" x 72" x 1.25" Laminated Table Top – Almond
655515	36" x 72" x 1.25" Laminated Table Top – Gray
655516	36" x 72" x 1.25" Laminated Table Top – Almond



RECOMMENDED FASTENERS FOR 10 SERIES EXTRUSION

QTY	ITEM #	DESCRIPTION
1	655635	10 S Table Mount Assembly

RECOMMENDED FASTENERS FOR 15 SERIES EXTRUSION

QTY	ITEM #	DESCRIPTION
1	655636	15 S Table Mount Assembly

- 1.25" thick high-pressure laminate table top
- Comes in gray or almond

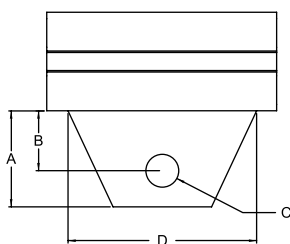
» Custom sizes and colors available upon request.

TOOL HANGERS

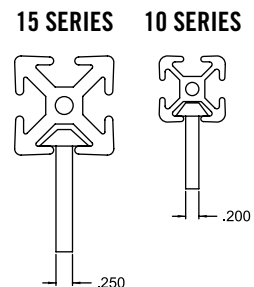


ITEM #	DESCRIPTION
655095	10 S Tool Hanger 
655096	15 S Tool Hanger 

- Ideal for hanging air tools, cable reels, heavy door panels or transporting cables
- Slides into the extrusion end and moves easily in the T-Slot
- 10 and 15 Series sizes
- 100 lb. Capacity



ITEM #	A	B	C	D
655095	1.10	.686	.328	2.00
655096	1.60	1.05	.500	3.00



TSLOTS Hardware

TUBE AND WIRE CLAMP



ITEM #	DESCRIPTION
655331	1/8" Single Tube Clamp
655332	1/4" Single Tube Clamp
655333	3/8" Single Tube Clamp
655334	1/2" Single Tube Clamp
655335	3/4" Single Tube Clamp
655336	1" Single Tube Clamp
655337	1/8" Double Tube Clamp
655338	1/4" Double Tube Clamp
655339	3/8" Double Tube Clamp
655340	1/2" Double Tube Clamp
655341	3/4" Double Tube Clamp
655342	1" Double Tube Clamp

RECOMMENDED FASTENERS

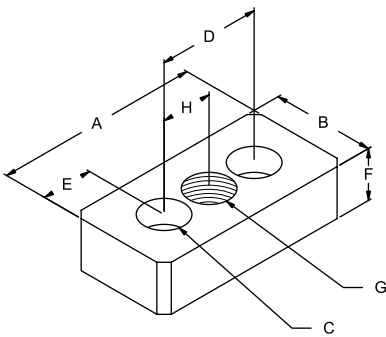
SINGLE CLAMP	655331	655332	655333	655334	655335	655336
DOUBLE CLAMP	655337	655338	655339	655340	655341	655342
10 SERIES	651117	651117	651118	651120	651121	651121
15 SERIES	651117	651118	651119	651120	651121	651121

FASTENER SIZE

10 SERIES	15 SERIES	DESCRIPTION
1/4-20x3/4"	1/4-20x3/4"	1/8" Tube and Wire Clamp
1/4-20x3/4"	1/4-20x7/8"	1/4" Tube and Wire Clamp
1/4-20x7/8"	1/4-20x1"	3/8" Tube and Wire Clamp
1/4-20x1 1/4"	1/4-20x1 1/4"	1/2" Tube and Wire Clamp
1/4-20x1 1/2"	1/4-20x1 1/2"	3/4" Tube and Wire Clamp
1/4-20x1 1/2"	1/4-20x1 1/2"	1" Tube and Wire Clamp

- Organizes tubes and wires throughout your TSLOTS design
- Attaches easily to T-Slot
- Mounts 1/8" through 1" O.D. tubing and wires
- Oil, chemical and acid resistant
- Stackable design
- 10 and 15 Series compatible

10 SERIES PRESSURE MANIFOLD PLATES



ITEM #	DESCRIPTION
655257	1" x 2" Blank Pressure Manifold Plate For Extrusion End
655300	1" x 2" 1/8" NPT Side Mount Pressure Manifold Plate
655141	1" x 2" 1/4" NPT End Mount Pressure Manifold Plate
655308	1" x 2" Blank Side Mount Pressure Manifold Plate
655303	1" x 3" Blank Pressure Manifold
655304	1" x 3" 1/4" NPT Blank Pressure Manifold
655258	2" x 2" Blank Pressure Manifold Plate For Extrusion End
655148	2" x 2" 3/8" NPT End Mount Pressure Manifold Plate

- Compatible with most fluids and gases
- Allows you to pressurize your machine
- 150 p.s.i. maximum pressure
- Item includes all fasteners and gaskets
- Contact us for custom manifolds

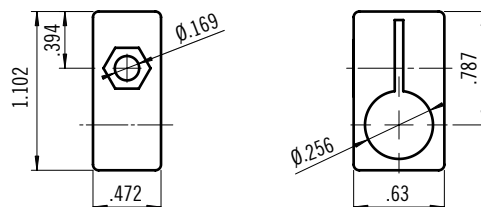
ITEM #	A	B	C	D	E	F	G	H
655257	2.00	1.00	DRILL THRU & C-BORE 1/4-20 SHCS	1.00	.500	.500	N/A	N/A
655300	2.00	1.00	DRILL THRU & C-BORE 1/4-20 SHCS	1.00	.500	.500	1/8"NPT	.500
655141	2.00	1.00	DRILL THRU & C-BORE 1/4-20 SHCS	1.00	.500	.500	1/4"NPT	.500
655303	3.00	1.00	DRILL THRU & C-BORE 1/4-20 SHCS	1.00	.500	.500	N/A	.500
655304	3.00	1.00	DRILL THRU & C-BORE 1/4-20 SHCS	1.00	.500	.500	1/4"NPT	.500
655308	2.00	1.00	DRILL THRU & C-BORE 1/4-20 SHCS	1.00	.500	.500	N/A	N/A
655258	2.00	2.00	DRILL THRU & C-BORE 1/4-20 SHCS	1.00	.500	.500	N/A	N/A
655300	2.00	2.00	DRILL THRU & C-BORE 1/4-20 SHCS	1.00	.500	.500	3/8"NPT	.500

SENSOR MOUNTING BLOCK



ITEM #	DESCRIPTION
655764	Sensor Mounting Block 10mm

- Attach sensors to TSLOTS profiles, fully adjustable
- Black, fiberglass reinforced nylon



TSLOTS Hardware

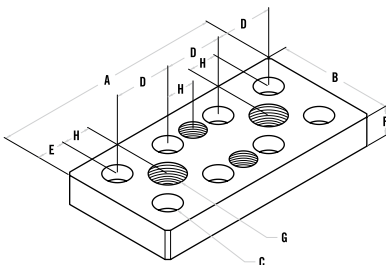
CLIP CABLE BINDER



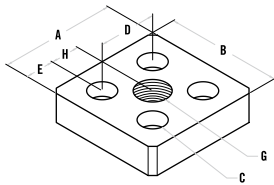
ITEM # DESCRIPTION
655765 15 S Nylon 

◦ Socket head screw and T-nut included

15 SERIES PRESSURE MANIFOLD PLATES



ITEM #	DESCRIPTION
655256	1.5" x 3" Blank Pressure Manifold Plate For Extrusion End
655307	1.5" x 3" Side Mount Blank Pressure Manifold Plate
655140	1.5" x 3" 3/8" NPT End Mount Pressure Manifold Plate
655302	1.5" x 3" 3/8" NPT Side Mount Pressure Manifold Plate
655301	1.5" x 3" 1/4" NPT Side Mount Pressure Manifold Plate
655259	3" x 3" Blank Pressure Manifold Plate For Extrusion End
655150	1.5" x 4.5" Blank End Mount Pressure Manifold Plate
655151	1.5" x 4.5" 3/8" NPT End Mount Pressure Manifold Plate



» Extrusion ends must be tapped a min of .75" for 10 Series and 1" deep for 15 Series.

ITEM #	A	B	C	D	E	F	G	H
655256	3.00	1.50	DRILL THRU & C-BORE 5/16-18 SHCS	1.50	.750	.750	N/A	N/A
655307	3.00	1.50	DRILL THRU & C-BORE 5/16-18 SHCS	1.50	.750	.750	N/A	N/A
655140	3.00	1.50	DRILL THRU & C-BORE 5/16-18 SHCS	1.50	.750	.750	3/8"NPT	.750
655302	3.00	1.50	DRILL THRU & C-BORE 5/16-18 SHCS	1.50	.750	.750	3/8"NPT	.750
655301	3.00	1.50	DRILL THRU & C-BORE 5/16-18 SHCS	1.50	.750	.750	1/4"NPT	.750
655259	3.00	1.50	DRILL THRU & C-BORE 5/16-18 SHCS	1.50	.750	.750	1/2"NPT	.750
655150	4.50	1.50	DRILL THRU & C-BORE 5/16-18 SHCS	1.50	.750	.750	N/A	N/A
655151	4.50	1.50	DRILL THRU & C-BORE 5/16-18 SHCS	1.50	.750	.750	3/8"NPT	N/A

REPLACEMENT GASKETS AND O-RINGS

GASKETS	ITEM #	SIZE	MATERIAL
	655142	1" x 2"	CR-20*
	655144	2" x 2"	CR-20*
	655143	1.5" x 3"	CR-20*
	655125	1.5" x 4.5"	CR-20*
	655145	3" x 3"	CR-20*
O-RINGS	655147	1" x 2"	RUBBER
	655146	1.5" x 3"	RUBBER

*CR-20 is a cork and synthetic rubber material manufactured by Global Technology Systems

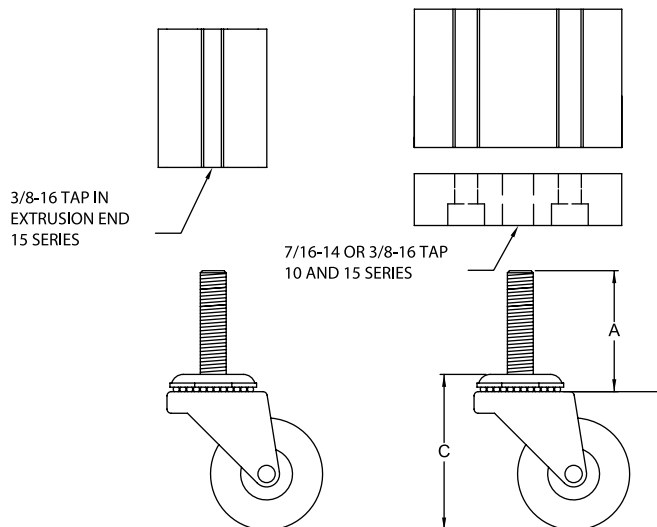
THREADED STEM SWIVEL CASTERS



ITEM #	DESCRIPTION
655231	1.62" Swivel Caster w/ 3/8-16 Stem w/o Brake
655232	2" Swivel Caster w/ 3/8-16 Stem w/ Brake
655233	3" Swivel Caster w/ 3/8-16 Stem w/ Brake
655237	4" Swivel Caster w/ 7/16-14 Stem w/ Brake
655234	4" Swivel Caster w/ 7/16-14 Stem w/ Brake
655235	5" Swivel Caster w/ 7/16-14 Stem w/ Brake
655236	5" Swivel Caster w/ 7/16-14 Stem w/ Brake

- Mounts directly to extrusion end or base plates
- 70-150 lb. Capacity
- 10 and 15 Series compatible

ITEM NUMBER	655231	655232	655233	655237	655234	655235	655236
DIAMETER	1.62"	2"	3"	4"	4"	5"	5"
CAPACITY	70 lbs	75 lbs	95 lbs	115 lbs	110 lbs	125 lbs	150 lbs
A	3/8-16 x 1.5"	3/8-16 x 1.5"	3/8-16 x 1.5"	7/16-14 x 1.5"	7/16-14 x 1.5"	7/16-14 x 1.5"	7/16-14 x 1.5"
B	2.15"	2.50"	3.50"	4.68"	4.563"	5.63"	5.63"
C	2.25"	2.60"	3.60"		4.75"	5.80"	5.80"
LOAD HEIGHT	2.25"	2.60"	3.60"	4.75"	4.75"	5.80"	5.80"
OIL RESISTANCE	Average	Average	Average	Average	Good	Average	Good
WHEEL COLOR	Black	Black	Black	Black	Black	Black	Black
LBS	.275	.333	.666	1.25	1.25	1.666	1.80
BRAKE	No	Yes	Yes	Yes	Yes	Yes	Yes
MOUNTING PLATE COMPATIBILITY	SEE PAGES 06:43 & 06:44 10 & 15 SERIES						



TSLOTS Hardware

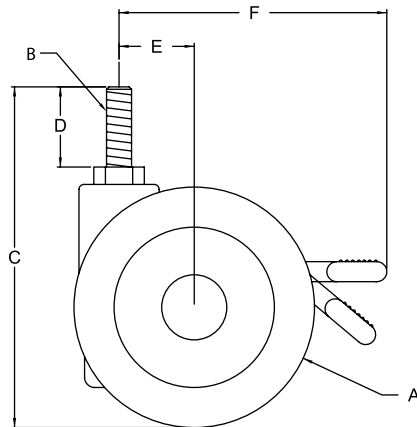
FURNITURE STYLE CASTERS



ITEM #	DESCRIPTION
655225	3" Furniture Style Caster w/o Brake  
655226	3" Furniture Style Caster w/ Brake  
655227	4" Furniture Style Caster w/o Brake  
655228	4" Furniture Style Caster w/ Brake  
655229	5" Furniture Style Caster w/o Brake  
655230	5" Furniture Style Caster w/ Brake  

























- Brake kits are optional on Furniture Style Casters
- 165 lb. to 265 lb. Capacity
- 10 and 15 Series compatible

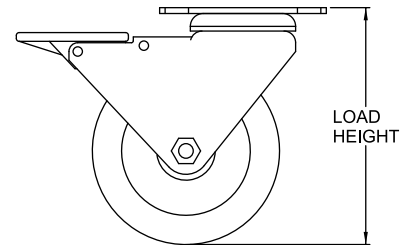
ITEM NUMBER	655225	655226	655227	655228	655229	655230
DIAMETER	3"	3"	4"	4"	5"	5"
CAPACITY	165	165	225	225	265	265
A	2.85	2.85	3.93	3.93	4.92	4.92
B	3/8-16	3/8-16	3/8-16	3/8-16	1/2-13	1/2-13
C	4.40	4.40	5.82	5.82	6.73	6.73
D	1.00	1.00	1.00	1.00	1.00	1.00
E	0.944	0.944	1.37	1.37	1.37	1.37
F	3.66	3.66	4.88	4.88	5.75	5.75
LOAD HEIGHT	3.15	3.15	4.33	4.33	5.24	5.24
WHEEL COLOR	Black	Black	Black	Black	Black	Black
LBS	.570	.570	.827	.827	1.312	1.312
BRAKE	No	Yes	No	Yes	No	Yes
MOUNTING PLATE	SEE PAGES 06:43 & 06:44					
COMPATIBILITY	10 & 15 SERIES					



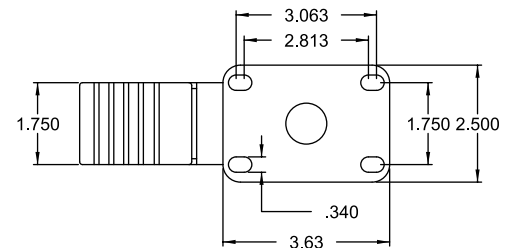
FLANGE MOUNT CASTERS



ITEM #	DESCRIPTION
655238	3" Flange Mount Rigid Caster w/o Brake  
655239	3" Flange Mount Rigid Caster w/o Brake  
655240	4" Flange Mount Rigid Caster w/o Brake  
655241	4" Flange Mount Rigid Caster w/o Brake  
655242	5" Flange Mount Rigid Caster w/o Brake  
655243	5" Flange Mount Rigid Caster w/o Brake  
655244	3" Flange Mount Swivel Caster w/ Brake  
655245	3" Flange Mount Swivel Caster w/ Brake  
655246	4" Flange Mount Swivel Caster w/ Brake  
655247	4" Flange Mount Swivel Caster w/ Brake  
655248	5" Flange Mount Swivel Caster w/ Brake  
655249	5" Flange Mount Swivel Caster w/ Brake  



- Swivel and Rigid casters available
- Brake kits come standard on swivel casters
- 125 lb. to 285 lb. capacity
- 3", 4" and 5" diameters available
- 10 and 15 Series compatible



RIGID CASTERS

ITEM NUMBER	655238	655239	655240	655241	655242	655243
DIAMETER	3"	3"	4"	4"	5"	5"
CAPACITY	125 lbs	210 lbs	165 lbs	255 lbs	190 lbs	280 lbs
LOAD HEIGHT	3.82"	3.82"	5.062"	5.062"	6.062"	6.062"
OIL RESISTANCE	Average	Good	Average	Good	Average	Good
WHEEL COLOR	Black	Black	Gray	Gray	Gray	Gray
LBS	1.50	1.50	2.00	2.00	2.50	2.50
BRAKES	No	No	No	No	No	No
MOUNTING PLATE	SEE PAGE 06:36					
MOUNTING BOLTS	(4)651050					

SWIVEL CASTERS

ITEM NUMBER	655244	655245	655246	655247	655248	655249
DIAMETER	3"	3"	4"	4"	5"	5"
CAPACITY	125 lbs	210 lbs	165 lbs	255 lbs	190 lbs	280 lbs
LOAD HEIGHT	3.82"	3.82"	5.062"	5.062"	6.062"	6.062"
OIL RESISTANCE	Average	Good	Average	Good	Average	Good
WHEEL COLOR	Black	Black	Gray	Gray	Gray	Gray
LBS	1.50	1.50	2.50	2.50	3.00	3.00
BRAKES	Yes	Yes	Yes	Yes	Yes	Yes
MOUNTING PLATE	SEE PAGE 06:36					
MOUNTING BOLTS	(4)651050					

TSLOTS Hardware

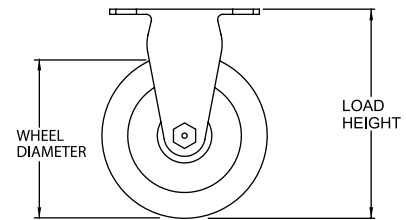
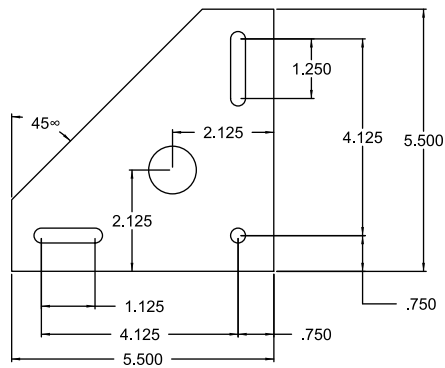
TRIANGULAR TOP PLATE CASTERS



ITEM #	DESCRIPTION
655254	4" Triangular Top Plate Caster w/ Brake  
655255	5" Triangular Top Plate Caster w/ Brake  

- Triangular Top Plate mounts directly to extrusion
- Triangular Top Plate Caster features both swivel and wheel lock
- 4" caster has 250 lb. capacity – 5" caster has 275 lb. capacity
- 10 and 15 Series compatible

ITEM NUMBER	655254	655255
DIAMETER	4"	5"
CAPACITY	250	275
LOAD HEIGHT	5.75	6.75
WHEEL COLOR	Green	Green
LBS	2.805	2.91



06:34

DELUXE FLANGE MOUNT CASTERS



ITEM #	DESCRIPTION
655250	4" Deluxe Flange Mount Swivel Caster w/ Brake  
655251	5" Deluxe Flange Mount Swivel Caster w/ Brake  
655252	4" Deluxe Flange Mount Rigid Caster w/o Brake  
655253	5" Deluxe Flange Mount Rigid Caster w/o Brake  

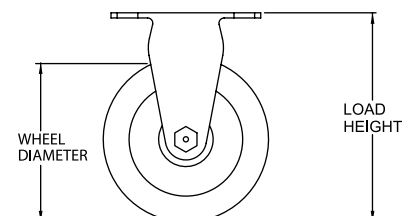
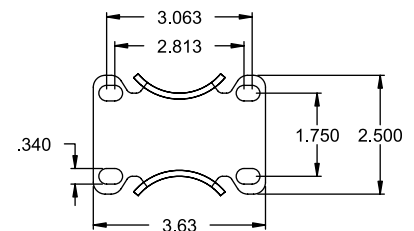
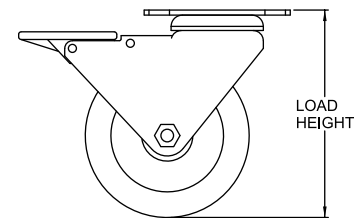
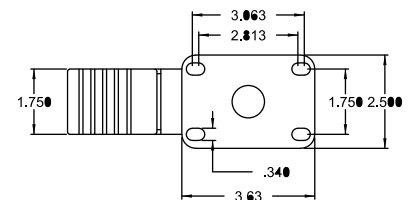
- Swivel and Rigid casters available
- Total Lock® brakes on all swivel casters – Press to lock – Press to unlock
- Mounts to TSLOTS with caster mount plates on page 06:41.
- Double ball hardened raceways
- Zerk fittings in wheel bearing
- 250 lb. capacity

SWIVEL CASTERS

ITEM NUMBER	655250	655251
DIAMETER	4"	5"
CAPACITY	250 lbs	250 lbs
LOAD HEIGHT	5.125"	6.187"
OIL RESISTANCE	Good	Good
WHEEL COLOR	Dark Red	Dark Red
LBS	2.50	3.25
BRAKES	Yes	Yes
MOUNTING PLATE	SEE PAGE 06:36	SEE PAGE 06:36
MOUNTING BOLTS	(4)651050	(4)651050

RIGID CASTERS

ITEM NUMBER	655252	655253
DIAMETER	4"	5"
CAPACITY	250 lbs	250 lbs
LOAD HEIGHT	5.125"	6.187"
OIL RESISTANCE	Good	Good
WHEEL COLOR	Dark Red	Dark Red
LBS	2.125	2.625
BRAKES	No	No
MOUNTING PLATE	SEE PAGE 06:36	SEE PAGE 06:36
MOUNTING BOLTS	(4)651050	(4)651050



TSLOTS Hardware

FLANGE MOUNT CASTER BASE PLATE



ITEM #	DESCRIPTION
655279	10 S Flange Mount Caster Base Plate
655280	10 S Flange Mount Caster Base Plate
655281	15 S Flange Mount Caster Base Plate
655287	15 S Flange Mount Caster Base Plate

RECOMMENDED FASTENERS TO MOUNT TO EXTRUSION T-SLOT

BASE PLATE PART #	655279	655280	655281	655287
651205			4	4
651234	4	4		

RECOMMENDED FASTENERS TO MOUNT TO EXTRUSION END

BASE PLATE PART #	655279	655280	655281	655287
651059			4	4
651027	4	4		

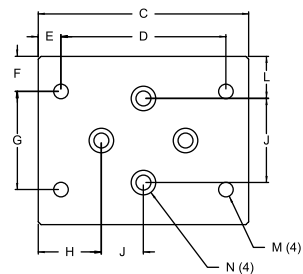
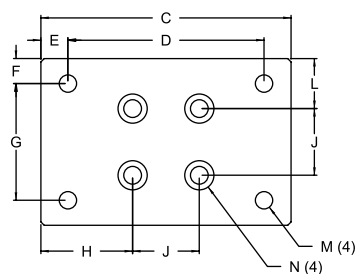
- Mounts Flange Mount Caster and Deluxe Flange Mount Caster to extrusion
- Mount Base Plate to either extrusion end or slot
- 10 and 15 Series sizes

10 SERIES

ITEM #	655279	655280
A	2.50	2.50
B	.500	.500
C	3.75	3.75
D	2.94	2.94
E	.405	.405
F	.375	.375
G	1.75	1.75
H	1.375	1.375
J	1.00	1.00
L	.750	.750
LBS	.430	.430
M	5/16-18 TAP THRU	
N	DRILL THRU & C-BORE 1/4-20 SHCS	

15 SERIES

ITEM #	655281	655287
A	3.00	3.00
B	.750	.750
C	3.75	3.75
D	2.94	2.94
E	.405	.405
F	.625	.625
G	1.75	1.75
H	1.175	1.175
J	1.50	1.50
L	.750	.750
LBS	.755	.755
M	5/16-18 TAP THRU	
N	DRILL THRU & C-BORE 1/4-20 SHCS	



HEAVY DUTY FLANGE MOUNT CASTER PLATE



ITEM #	DESCRIPTION
655137	Heavy Duty Flange Mount Caster Plate

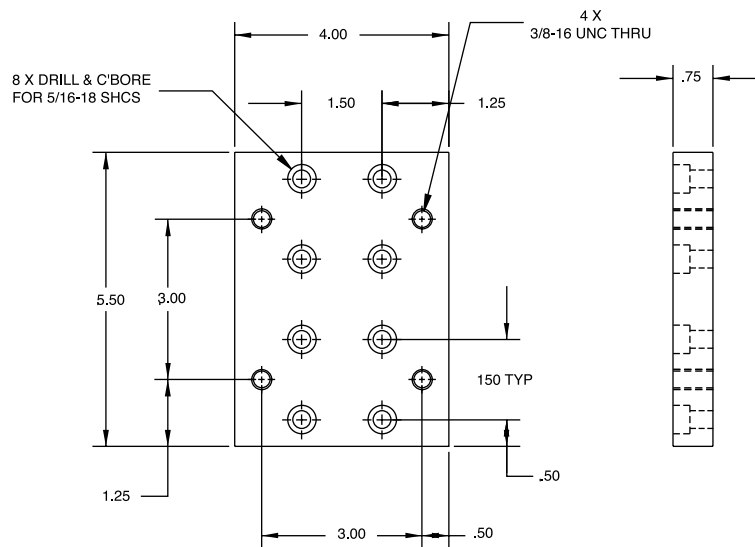
RECOMMENDED FASTENERS TO MOUNT TO EXTRUSION T-SLOT

QTY	ITEM #
8	651205

RECOMMENDED FASTENERS TO MOUNT TO EXTRUSION END

QTY	ITEM #
8	651059

- Mount heavy duty casters to your TSLOTS frame
- Can mount on side or end of any 15 series extrusion
- Can also be used as a joining plate



TSLOTS Hardware

HEAVY DUTY FLANGE MOUNT CASTERS



ITEM #	DESCRIPTION
655458	5" Heavy Duty Flange Mount Swivel Caster
655459	5" Heavy Duty Flange Mount Rigid Caster
655460	6" Heavy Duty Flange Mount Swivel Caster
655461	6" Heavy Duty Flange Mount Rigid Caster
655462	5" Heavy Duty Flange Mount Swivel Caster
655463	5" Heavy Duty Flange Mount Rigid Caster
655464	6" Heavy Duty Flange Mount Swivel Caster
655465	6" Heavy Duty Flange Mount Rigid Caster



- Swivel and Rigid casters available
- Comes in 5" and 6" diameters
- 425 lb. to 900 lb. capacity
- 15 Series compatible



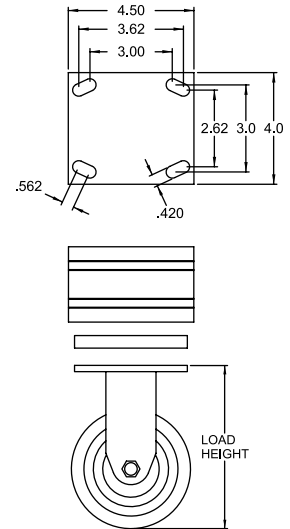
RIGID CASTERS

ITEM NUMBER	655459	655461	655463	655465
DIAMETER	5"	6"	5"	6"
CAPACITY	425 lbs	475 lbs	900 lbs	900 lbs
LOAD HEIGHT	6.5"	7.5"	6.5"	7.5"
OIL RESISTANCE	Average	Average	Good	Good
WHEEL COLOR	Black	Black	Dark Red	Dark Red
LBS	4.50	5.50	4.50	5.00
MOUNTING PLATE	SEE PAGE 06:37	SEE PAGE 06:37	SEE PAGE 06:37	SEE PAGE 06:37
MOUNTING BOLTS	(4)651062	(4)651062	(4)651062	(4)651062



SWIVEL CASTERS

ITEM NUMBER	655458	655460	655462	655464
DIAMETER	5"	6"	5"	6"
CAPACITY	425 lbs	475 lbs	750 lbs	900 lbs
LOAD HEIGHT	6.5"	7.5"	6.5"	7.5"
OIL RESISTANCE	Average	Average	Good	Good
WHEEL COLOR	Black	Black	Dark Red	Dark Red
LBS	5.50	7.00	5.00	6.00
MOUNTING PLATE	SEE PAGE 06:37	SEE PAGE 06:37	SEE PAGE 06:37	SEE PAGE 06:37
MOUNTING BOLTS	(4)651062	(4)651062	(4)651062	(4)651062

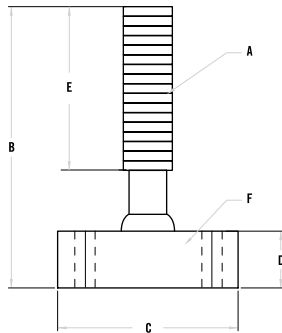


LARGE BASE GLIDES



ITEM #	DESCRIPTION
655167	3/8-16 Large Base Glide 1.97" Base
655168	1/2-13 Large Base Glide 1.97" Base
655165	3/8-16 Large Base Glide 3.15" Base
655166	1/2-13 Large Base Glide 3.15" Base

- 3/8-16 can mount directly into 15 S extrusion end
- Ideal for heavy duty frames
- Large Base diameter - Nylon



» See page 06:44 for 15 S Base Plates.

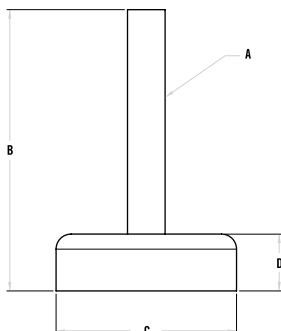
ITEM #	655167	655168	655165	655166
A	3/8-16	1/2-13	3/8-16	1/2-13
B	4.43	4.43	4.43	4.43
C	1.97	1.97	3.15	3.15
D	0.70	0.70	0.70	0.70
E	3.00	3.00	3.00	3.00
F	.256	.256	.354	.354
LOAD CAPACITY	4000 lbs	4000 lbs	5000 lbs	5000 lbs

LEVELING FEET



ITEM #	DESCRIPTION
655782	1/4-20 Economy Leveling Feet
655789	5/16-18 Economy Leveling Feet
655171	3/8-16 Economy Leveling Feet
655808	1/2-13 Economy Leveling Feet

- 3/8 - 16 Foot can mount directly into 15 S extrusion end
- Ideal for light duty machines, cabinets, workstations or office furniture
- Large base diameter - Nylon
- 10 and 15 Series sizes



» Tap machining service required to load extrusion end. See page 11:06.

ITEM #	655782	655789	655171	655808
A	1/4-20	5/16-18	3/8-16	1/2-13
B	1.87	3.21	2.39	3.21
C	1.57	2.32	3.11	3.89
D	.708	.708	.708	.708
LOAD CAPACITY	460 lbs	770 lbs	1035 lbs	1035 lbs

TSLOTS Hardware

ECONOMY ANTI-VIBRATION MOUNT

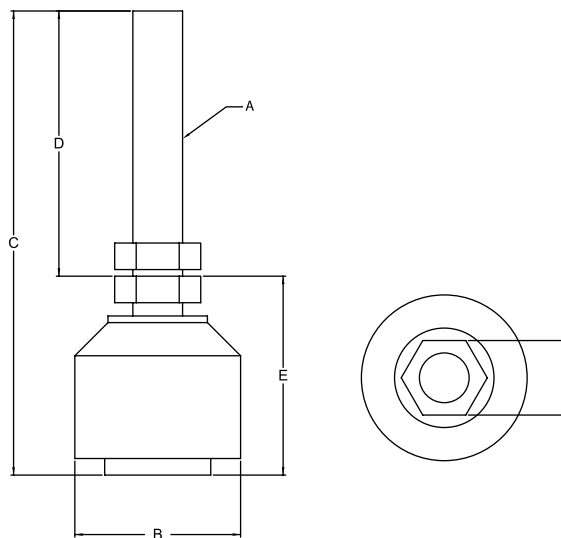


ITEM #	DESCRIPTION
655185	3/8-16 Economy Anti-Vibration Mount
655186	1/2-13 Economy Anti-Vibration Mount
655187	3/4-10 Economy Anti-Vibration Mount

- Reduces vibration transmission
- Level high precision or computerized machinery
- Gold irridite finish
- Black rubber vibration pad
- Available in three sizes

» Tap machining service required to load extrusion end. See page 11:06.

ITEM #	655185	655186	655187
A	3/8-16	1/2-13	3/4-10
B	1.25	1.875	3.00
C	3.50	3.75	4.125
D	2.00	2.00	2.00
E	1.50	1.75	2.125
F	.562	.625	1.062
LOAD CAPACITY	100 lbs	240 lbs	650 lbs



DELUXE LEVELING FEET

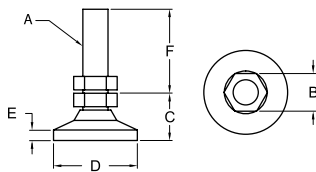


ITEM #	DESCRIPTION
655175	1/4-20 Deluxe Leveling Foot
655634	5/16-18 Deluxe Leveling Foot
655173	3/8-16 Deluxe Leveling Foot
655178	1/2-13 Deluxe Leveling Foot
655180	3/4-10 Deluxe Leveling Foot

- Threads directly into extrusion end or into 10 and 15 Series base plates
- Jam nut included
- Pivots 20 degrees to accommodate uneven floors
- 1000 lb. to 7400 lb. capacity
- 10 and 15 Series sizes



» Tap machining service required to load extrusion end. See page 11:06.



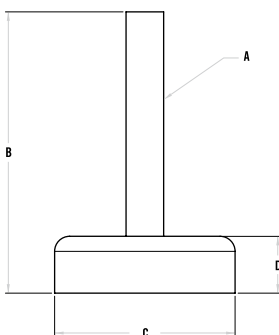
ITEM #	655175	655634	655173	655178	655180
A	1/4-20	5/16-18	3/8-16	1/2-13	3/4-10
B	.500	.630	.625	.750	1.062
C	.703	.880	.875	1.125	1.50
D	1.00	1.25	1.25	1.875	3.00
E	.156	.250	.188	.250	.500
F	1.25	2.00	2.00	2.00	2.00
LOAD CAPACITY	1000 lbs	2300 lbs	3750 lbs	5000 lbs	7400 lbs

DIE CAST LEVELING FEET



ITEM #	DESCRIPTION
655784	1/4-20 Die Cast Leveling Foot
655792	5/16-18 Die Cast Leveling Foot
655804	3/8-16 Die Cast Leveling Foot
655801	1/2-13 Die Cast Leveling Foot w/ Holes
655812	3/4-10 Die Cast Leveling Foot w/ Holes

ITEM #	655784	655792	655804	655801	655812
A	1/4-20	5/16-18	3/8-16	1/2-13	3/4-10
B	1.87	3.21	2.39	3.21	3.71
C	1.57	2.32	3.11	3.11	3.89
D	.708	.708	.708	.708	.708
LOAD RATING	460 lbs	770 lbs	1035 lbs	1035 lbs	5300 lbs



TSLOTS Hardware

ECONOMY LEVELING FEET

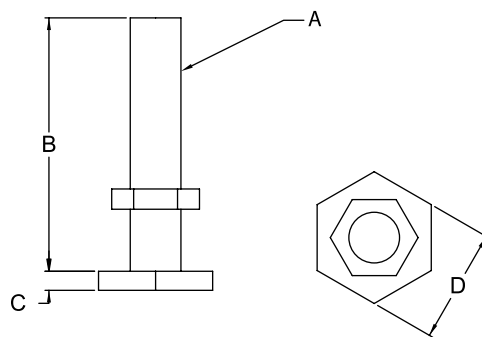


ITEM #	DESCRIPTION
655176	1/4-20 Economy Leveling Foot
655177	5/16-18 Economy Leveling Foot
655174	3/8-16 Economy Leveling Foot
655179	1/2-13 Economy Leveling Foot

- Threads directly into extrusion end or into 10 and 15 Series base plates
- Jam nut included
- 1050 lb. to 4700 lb. capacity
- 10 and 15 Series sizes

» Tap machining service required to load extrusion end. See page 11:06.

ITEM #	655176	655177	655174	655179
A	1/4-20	5/16-18	3/8-16	1/2-13
B	1.25	1.50	2.00	2.50
C	.094	.109	.141	.172
D	.563	.750	.875	1.063
LOAD CAPACITY	1050 lbs	1750 lbs	2550 lbs	7400 lbs

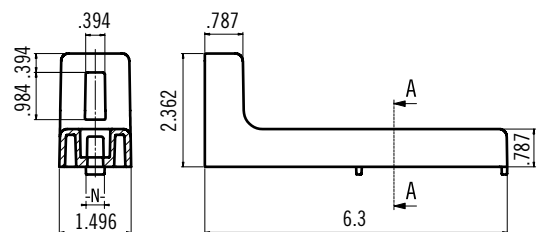


FLOOR BRACKET



ITEM #	DESCRIPTION
655766	Floor Bracket ^(40S)

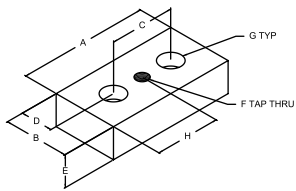
- Adjustable height up to 2.83"



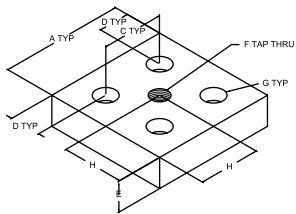
10 SERIES BASE PLATES

ITEM #	DESCRIPTION	BOLT KIT TO T SLOT	MOUNT IN EXTRUSION END
655120	10 S 1" x 2" Base Plate w/ 1/4-20 Tap In Center	(2) 651234	(2) 651027
659062	10 S 1" x 2" Base Plate w/ 5/16-18 Tap In Center	(2) 651234	(2) 651027
655121	10 S 1" x 2" Base Plate w/ 3/8-16 Tap In Center	(2) 651234	(2) 651027
655127	10 S 1" x 2" Base Plate w/ 7/16-14 Tap In Center	(2) 651234	(2) 651027
655260	10 S 1" x 2" Base Plate w/ 1/2-13 Tap In Center	(2) 651234	(2) 651027
655662	10 S 1" x 2" Base Plate Blank	(2) 651234	(2) 651027
655123	10 S 2" x 2" Base Plate w/ 3/8-16 Tap In Center	(4) 651234	(4) 651027
655129	10 S 2" x 2" Base Plate w/ 7/16-14 Tap In Center	(4) 651234	(4) 651027
655124	10 S 2" x 2" Base Plate w/ 1/2-13 Tap In Center	(4) 651234	(4) 651027
655261	10 S 2" x 2" Base Plate w/ 3/4-10 Tap In Center	(4) 651234	(4) 651027
655663	10 S 2" x 2" Base Plate Blank	(4) 651234	(4) 651027
655132	10 S 2" x 2" Base Plate w/ 3/8-16 Corner Tap	(3) 651234	N/A
655133	10 S 2" x 2" Base Plate w/ 7/16-14 Corner Tap	(3) 651234	N/A
655262	10 S 2" x 2" Base Plate w/ 1/2-13 Corner Tap	(3) 651234	N/A
655263	10 S 2" x 2" Base Plate w/ 3/4-10 Corner Tap	(3) 651234	N/A
655664	10 S 2" x 2" Corner Tap Base Plate Blank	(3) 651234	N/A

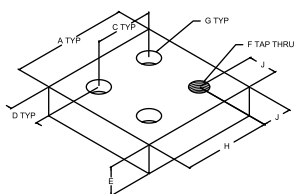
- Mounts leveling feet and threaded stem casters to T-SLOTS
- Bolts in extrusion end or in T-Slot
- See pages 06:39-06:42 for leveling feet
- See pages 06:31-06:32 for threaded stem casters



ITEM #	LBS	A	B	C	D	E	F	G	H
655120	.090	2.00	1.00	1.00	.500	.500	1/4-20	DRILL THRU & C-BORE FOR 1/4-20 SHCS	1.00
659062	.085	2.00	1.00	1.00	.500	.500	5/16-18	DRILL THRU & C-BORE FOR 1/4-20 SHCS	1.00
655121	.085	2.00	1.00	1.00	.500	.500	3/8-16	DRILL THRU & C-BORE FOR 1/4-20 SHCS	1.00
655127	.080	2.00	1.00	1.00	.500	.500	7/16-14	DRILL THRU & C-BORE FOR 1/4-20 SHCS	1.00
655260	.078	2.00	1.00	1.00	.500	.500	1/2-13	DRILL THRU & C-BORE FOR 1/4-20 SHCS	1.00
655662	.090	2.00	1.00	1.00	.500	.500	N/A	DRILL THRU & C-BORE FOR 1/4-20 SHCS	1.00



ITEM #	LBS	A	B	C	D	E	F	G	H
655123	.175	2.00	N/A	1.00	.500	.500	3/8-16	DRILL THRU & C-BORE FOR 1/4-20 SHCS	1.00
655129	.170	2.00	N/A	1.00	.500	.500	7/16-14	DRILL THRU & C-BORE FOR 1/4-20 SHCS	1.00
655124	.170	2.00	N/A	1.00	.500	.500	1/2-13	DRILL THRU & C-BORE FOR 1/4-20 SHCS	1.00
655261	.160	2.00	N/A	1.00	.500	.500	3/4-10	DRILL THRU & C-BORE FOR 1/4-20 SHCS	1.00
655663	.180	2.00	N/A	1.00	.500	.500	N/A	DRILL THRU & C-BORE FOR 1/4-20 SHCS	N/A



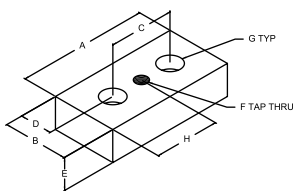
ITEM #	LBS	A	B	C	D	E	F	G	H	J
655132	.180	2.00	N/A	1.00	.500	.500	3/8-16	DRILL THRU & C-BORE FOR 1/4-20 SHCS	1.50	.500
655133	.175	2.00	N/A	1.00	.500	.500	7/16-14	DRILL THRU & C-BORE FOR 1/4-20 SHCS	1.50	.500
655262	.172	2.00	N/A	1.00	.500	.500	1/2-13	DRILL THRU & C-BORE FOR 1/4-20 SHCS	1.50	.500
655263	.170	2.00	N/A	1.00	.500	.500	3/4-10	DRILL THRU & C-BORE FOR 1/4-20 SHCS	1.50	.500
655664	.185	2.00	N/A	1.00	.500	.500	N/A	DRILL THRU & C-BORE FOR 1/4-20 SHCS	N/A	N/A

TSLOTS Hardware

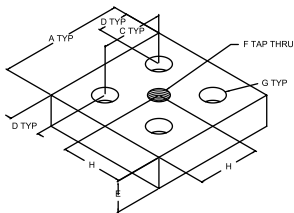
15 SERIES BASE PLATES

ITEM #	DESCRIPTION	BOLT KIT TO T SLOT	MOUNT IN EXTRUSION END
655122	15 S 1.5" x 3" Base Plate w/ 3/8-16 Tap In Center	(2) 651205	(2) 651059
655128	15 S 1.5" x 3" Base Plate w/ 7/16-14 Tap In Center	(2) 651205	(2) 651059
655126	15 S 1.5" x 3" Base Plate w/ 1/2-13 Tap In Center	(2) 651205	(2) 651059
655264	15 S 1.5" x 3" Base Plate w/ 3/4-10 Tap In Center	(2) 651205	(2) 651059
655658	15 S 1.5" x 3" Base Plate Blank	(2) 651205	(2) 651059
655135	15 S 3" x 3" Base Plate w/ 7/16-14 Tap In Center	(4) 651205	(4) 651059
655130	15 S 3" x 3" Base Plate w/ 1/2-13 Tap In Center	(4) 651205	(4) 651059
655265	15 S 3" x 3" Base Plate w/ 3/4-10 Tap In Center	(4) 651205	(4) 651059
655659	15 S 3" x 3" Base Plate Blank	(4) 651205	(4) 651059
655136	15 S 3" x 3" Base Plate w/ 7/16-14 Corner Tap	(3) 651205	N/A
655131	15 S 3" x 3" Base Plate w/ 1/2-13 Corner Tap	(3) 651205	N/A
655266	15 S 3" x 3" Base Plate w/ 3/4-10 Corner Tap	(3) 651205	N/A
655665	15 S 3" x 3" Corner Tap Base Plate Blank	(3) 651205	N/A
655660	15 S 1.5" x 4.5" Base Plate Blank	(3) 651205	(3) 651059

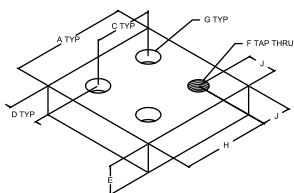
- Mounts leveling feet and threaded stem casters to TSLOTS
- Bolts in extrusion end or in T-Slot
- See pages 06:39-06:42 for leveling feet
- See pages 06:31-06:32 for threaded stem casters



ITEM #	LBS	A	B	C	D	E	F	G	H
655122	.300	3.00	1.50	1.50	.750	.750	3/8-16	DRILL THRU & C-BORE FOR 5/16-18 SHCS	1.50
655128	.300	3.00	1.50	1.50	.750	.750	7/16-14	DRILL THRU & C-BORE FOR 5/16-18 SHCS	1.50
655126	.300	3.00	1.50	1.50	.750	.750	1/2-13	DRILL THRU & C-BORE FOR 5/16-18 SHCS	1.50
655264	.286	3.00	1.50	1.50	.750	.750	3/4-10	DRILL THRU & C-BORE FOR 5/16-18 SHCS	1.50
655658	.305	3.00	1.50	1.50	.750	.750	N/A	DRILL THRU & C-BORE FOR 5/16-18 SHCS	N/A

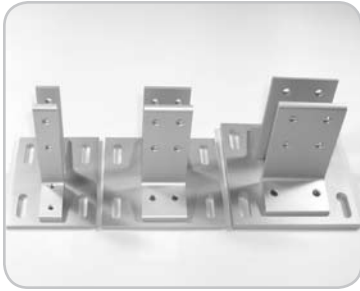


ITEM #	LBS	A	B	C	D	E	F	G	H
655135	.600	.300	N/A	1.5	.750	.750	7/16-14	DRILL THRU & C-BORE FOR 5/16-18 SHCS	1.50
655130	.600	.300	N/A	1.50	.750	.750	1/2-13	DRILL THRU & C-BORE FOR 5/16-18 SHCS	1.50
655265	.580	.300	N/A	1.50	.750	.750	3/4-10	DRILL THRU & C-BORE FOR 5/16-18 SHCS	1.50
655659	.610	.300	N/A	1.50	.750	.750	N/A	DRILL THRU & C-BORE FOR 5/16-18 SHCS	N/A



ITEM #	LBS	A	B	C	D	E	F	G	H	J
655136	.750	3.00	N/A	1.50	.750	.750	7/16-14	DRILL THRU & C-BORE FOR 5/16-18 SHCS	1.50	2.25
655131	.750	3.00	N/A	1.50	.750	.750	1/2-13	DRILL THRU & C-BORE FOR 5/16-18 SHCS	1.50	2.25
655266	.730	3.00	N/A	1.50	.750	.750	3/4-10	DRILL THRU & C-BORE FOR 5/16-18 SHCS	1.50	2.25
655665	.770	3.00	N/A	1.50	.750	.750	N/A	DRILL THRU & C-BORE FOR 5/16-18 SHCS	N/A	N/A

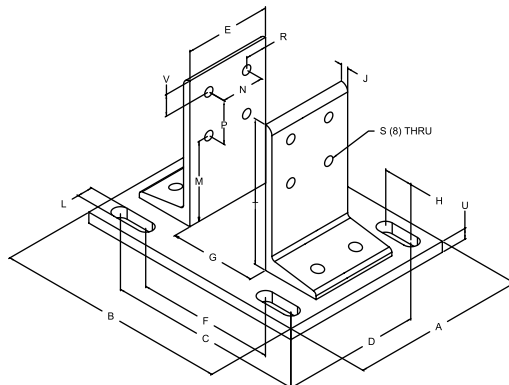
BASE PLATES - FLOOR MOUNT



ITEM #	DESCRIPTION	BOLT KIT TO MOUNT TO T-SLOT
655267	10 S 1010 Floor Mount Base Plate	(4) 651130
655268	10 S 1020 Floor Mount Base Plate	(8) 651130
655269	10 S 2020 Floor Mount Base Plate	(8) 651130
655270	15 S 1515 Floor Mount Base Plate	(4) 651129
655271	15 S 1530 Floor Mount Base Plate	(8) 651129
655274	15 S 3030 Floor Mount Base Plate	(8) 651129

- Very strong method of mounting your frame to the floor
- Bolts directly in the T-Slot
- Allows for vertical adjustments
- Slotted base plate holes allow for lateral adjustments
- 10 and 15 Series sizes

ITEM #	655267	655268	655269	655270	655271	655274
A	4.00	5.50	5.50	5.00	6.00	6.00
B	5.50	5.50	6.50	6.00	6.50	8.00
C	4.25	4.25	5.25	4.75	5.25	6.75
D	2.75	4.25	4.25	3.75	4.75	4.75
E	1.00	2.00	2.00	1.50	3.00	3.00
F	2.25	2.25	3.25	2.75	3.25	4.75
G	1.00	1.00	2.00	1.50	1.50	3.00
H	1.00	1.00	1.00	1.00	1.00	1.00
J	0.25	.250	.250	.250	.250	.250
L	.406	.406	.406	.531	.531	.531
M	2.75	2.75	2.75	2.75	2.75	2.75
N	N/A	1.00	1.00	N/A	1.50	1.50
P	1.50	1.50	1.50	1.50	1.50	1.50
R	.500	.500	.500	.750	.750	.750
S	.281	.281	.281	.328	.328	.328
T	5.00	5.00	5.00	5.00	5.00	5.00
U	.250	.250	.250	.375	.375	.375
V	.750	.750	.750	.750	.750	.750
LBS	.870	1.555	1.570	1.555	2.445	2.770



TSLOTS Hardware

BASE PLATES - FLOOR MOUNT 10 SERIES ECONOMY



655275

ITEM #	DESCRIPTION	BOLT KIT TO MOUNT TO TSLOT
655275	10 S 1" Economy Floor Mount Base Plate	(2) 651130
655277	10 S 2" Economy Floor Mount Base Plate	(4) 651130
655272	10 S 3" Economy Floor Mount Base Plate	(6) 651130

- Strong economy base plates
- Bolts directly in the T-Slot
- Allows vertical adjustments
- More economical than standard Floor Mount Base Plate

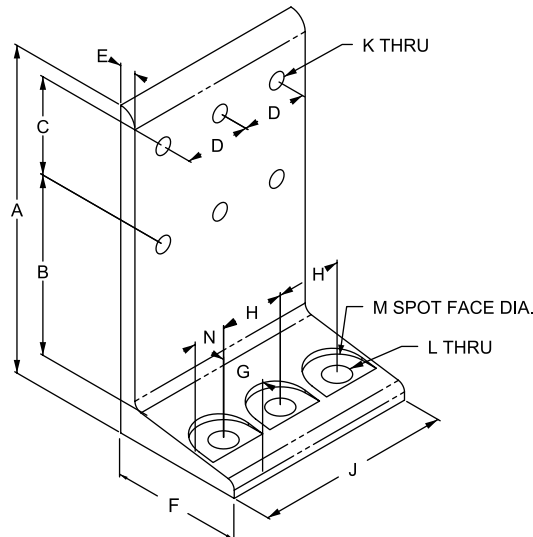


655277

ITEM #	655275	655277	655272
A	5.00	5.00	5.00
B	2.75	2.75	2.75
C	1.50	1.50	1.50
D	N/A	1.00	1.00
E	.250	.250	.250
F	2.00	2.00	2.00
G	1.00	1.00	1.00
H	N/A	1.00	1.00
J	1.00	2.00	3.00
K	.257	.257	.257
L	.390	.390	.390
M	.875	.875	.875
N	.500	.500	.500
LBS	.175	.350	.525



655272



BASE PLATES - FLOOR MOUNT 15 SERIES ECONOMY



655276



655278

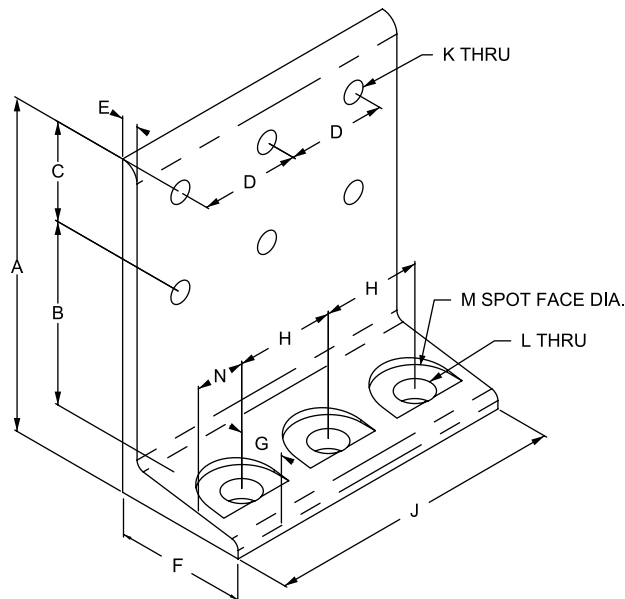


655273

ITEM #	DESCRIPTION	BOLT KIT TO MOUNT TO TSLOT
655276	15 S 1.5" Economy Floor Mount Base Plate	(2) 651129
655278	15 S 3" Economy Floor Mount Base Plate	(4) 651129
655273	15 S 4.5" Economy Floor Mount Base Plate	(6) 651129

- Strong economy base plates
- Bolts directly in the T-Slot
- Allows vertical adjustments
- More economical than standard Floor Mount Base Plate

ITEM #	655276	655278	655273
A	5.00	5.00	5.00
B	2.75	2.75	2.75
C	1.50	1.50	1.50
D	N/A	1.50	1.50
E	.250	.250	.250
F	2.00	2.00	2.00
G	1.00	1.00	1.00
H	N/A	1.50	1.50
J	1.50	3.00	4.50
K	.328	.328	.328
L	.531	.531	.531
M	1.125	1.125	1.125
N	.750	.750	.750
LBS	.265	.530	.795



07 | STANCHIONS

Stanchions allow you the ability to implement a fourth and fifth axis to your application. Within this section there are many types of stanchions that allow versatility when designing your project and modularity when utilizing your project. Anything from single or double shaft bases, blank mounting or pre-drilled mounting plates, to single or double mounting blocks are available.

The Horizontal Quick Clamp stanchion, a different style of stanchion, allows you to retain the modularity you get with TLOTS extrusions. By utilizing our tubes and solid rounds you can create precise positioning with our stanchions. Position of camera equipment and light sources, even positioning for actuators or sensors, has never been easier.

STANCHION ADVANTAGES

1. Adjustable in X, Y and Z axis when used with TLOTS
2. Bolts directly to TLOTS extrusions
3. Choose from aluminum or steel tubes for stanchion posts

Stanchions

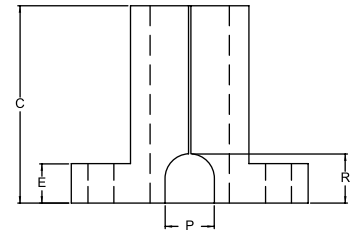
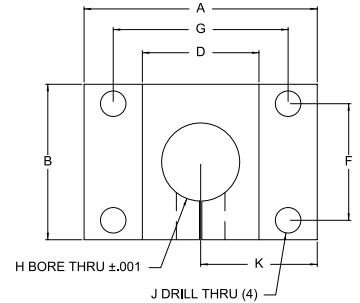
STANCHIONS - Single Shaft Base



ITEM #	DESCRIPTION
659012	10 S 1" Diameter Single Shaft Base
659013	15 S 1" Diameter Single Shaft Base
659016	15 S 1.5" Diameter Single Shaft Base
659018	15 S 2" Diameter Single Shaft Base

RECOMMENDED FASTENERS

QTY	ITEM#
(4)	651117 (for 659012)
(4)	651205 (for 659013)
(4)	651482 (for 659016)
(4)	651482 (for 659018)



ITEM #	LBS	A	B	C	D	E	F	G	H	J	K	P	R
659012	.705	3.000	2.125	2.500	1.500	.500	1.000	2.250	1.004	.257	1.500	.625	.625
659013	.700	3.000	2.125	2.500	1.500	.500	1.500	2.250	1.004	.328	1.500	.625	.625
659016	1.355	3.875	2.500	3.000	2.250	.750	1.500	3.000	1.505	.328	1.937	.875	.875
659018	2.220	4.750	3.500	3.500	2.750	.750	1.500	3.750	2.005	.328	2.375	1.250	.750

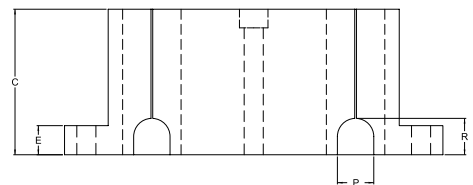
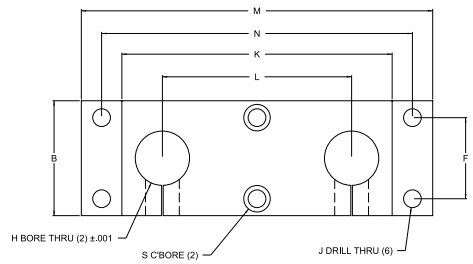
STANCHIONS - Double Shaft Base



ITEM #	DESCRIPTION
659014	10 S 1" Diameter Double Shaft Base
659015	15 S 1" Diameter Double Shaft Base
659017	15 S 1.5" Diameter Double Shaft Base
659020	15 S 2" Diameter Double Shaft Base

RECOMMENDED FASTENERS

QTY	ITEM#	&	QTY	ITEM#
(4)	651117	(2)	651483	(for 659014)
(4)	651205	(2)	651484	(for 659015)
(4)	651482	(2)	651485	(for 659017)
(4)	651482	(2)	651486	(for 659020)



ITEM #	LBS	B	C	E	F	H	J	K	L	M	N	P	R	S
659014	2.230	2.000	2.500	.500	1.000	1.004	.257	5.000	3.500	6.500	5.750	.620	.625	.406 x .26 Deep
659015	2.225	2.000	2.500	.500	1.500	1.004	.328	5.000	3.500	6.500	5.750	.620	.625	.50 x .32 Deep
659017	3.590	2.500	3.000	.750	1.500	1.505	.328	6.125	3.875	7.750	6.875	.875	.825	.50 x .32 Deep
659020	6.030	3.500	3.500	.750	1.500	2.005	.328	7.500	4.750	9.500	8.500	1.250	.750	.50 x .32 Deep

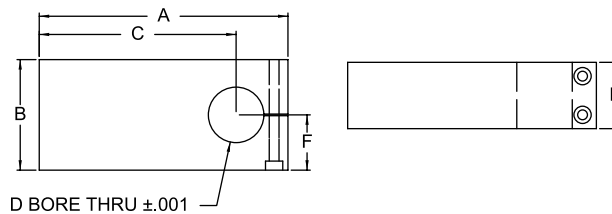
07:02

STANCHIONS - Single Shaft Blank Mounting Plate



ITEM #	DESCRIPTION
659023	1" Diameter Single Shaft Blank Mounting Plate
659026	1.5" Diameter Single Shaft Blank Mounting Plate
659028	2" Diameter Single Shaft Blank Mounting Plate

ITEM #	LBS	A	B	C	D	E	F
659023	.965	4.500	2.000	3.562	1.004	1.250	1.000
659026	2.515	6.500	3.000	5.125	1.505	1.500	1.500
659028	5.295	7.750	4.000	6.125	2.005	2.000	2.000

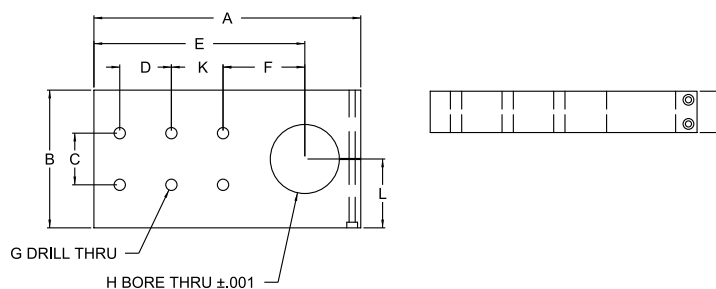


STANCHIONS - Single Shaft Pre-Drilled Mounting Plate



ITEM #	DESCRIPTION
659024	10 S 1" Diameter Single Shaft Pre-Drilled Mounting Plate
659025	15 S 1" Diameter Single Pre-Drilled Mounting Plate
659027	15 S 1.5" Diameter Single Shaft Pre-Drilled Mounting Plate
659029	15 S 2" Diameter Single Shaft Pre-Drilled Mounting Plate

ITEM #	LBS	A	B	C	D	E	F	G	H	J	K	L
659024	.940	4.500	2.000	1.000	1.000	3.560	2.062	4@.257	1.004	1.250	N/A	1.000
659025	.935	4.500	2.000	1.500	1.500	3.562	1.562	4@.328	1.004	1.250	N/A	1.000
659027	2.460	6.500	3.000	1.500	1.500	5.125	2.875	4@.328	1.505	1.500	N/A	1.500
659029	5.210	7.750	4.000	1.500	1.500	6.125	2.375	6@.328	2.005	2.000	1.500	2.000



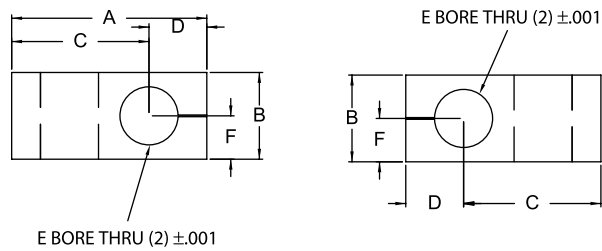
Stanchions

STANCHIONS - Single Shaft Mounting Block



ITEM # DESCRIPTION
659019 10 S 1" Quick Cross Clamp

ITEM #	LBS	A	B	C	D	E	F
659019	.825	3.375	1.500	2.375	1.000	1.004	.750

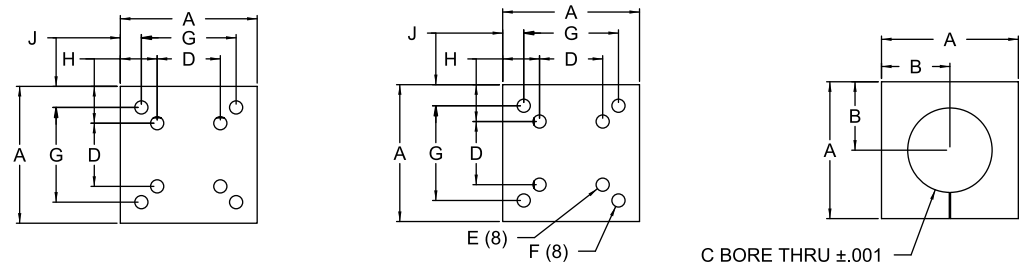


STANCHIONS - Single Shaft Mounting Block



ITEM # DESCRIPTION
659030 1" Diameter Single Shaft Mounting Plate

ITEM #	LBS	A	B	C	D	E	F	G	H	J
659030	.600	2.000	1.000	1.004	1.500	5/16-18X.500	N/A	N/A	.250	N/A



07:04

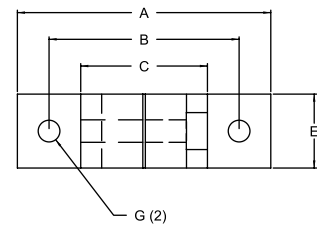
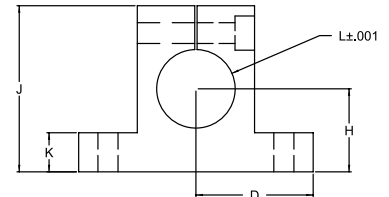
STANCHIONS - Single Horizontal Base



ITEM #	DESCRIPTION
659044	10 S 1" Single Horizontal Base
659045	15 S 1" Single Horizontal Base
659046	15 S 1.5" Single Horizontal Base
659047	15 S 2" Single Horizontal Base

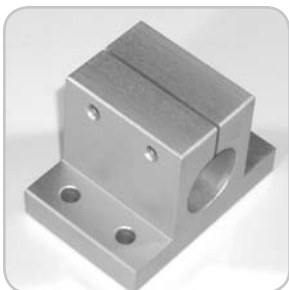
RECOMMENDED FASTENERS

QTY	ITEM#
(2)	651117 (for 659044)
(2)	651205 (for 659045)
(2)	651482 (for 659046)
(2)	651487 (for 651487)



ITEM #	LBS	A	B	C	D	E	G	H	J	K	L
659044	.268	3.000	2.250	1.500	1.500	1.000	.257 THRU	1.062	2.125	.500	1.004
659045	.259	3.000	2.250	1.500	1.500	1.000	.328 THRU	1.062	2.125	.500	1.004
659046	1.253	3.875	3.000	2.250	1.937	1.250	.328 THRU	1.125	2.500	.750	1.505
659047	1.074	4.750	3.750	2.750	2.375	1.500	.328 THRU	1.625	3.500	1.000	2.005

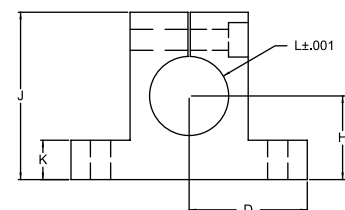
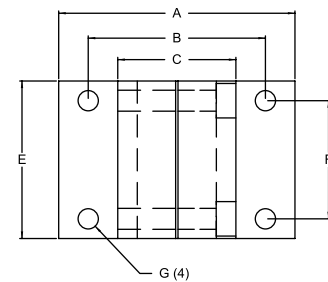
STANCHIONS - Double Horizontal Base



ITEM #	DESCRIPTION
659049	10 S 1" Double Horizontal Base
659050	15 S 1" Double Horizontal Base
659051	15 S 1.5" Double Horizontal Base
659052	15 S 2" Double Horizontal Base

RECOMMENDED FASTENERS

QTY	ITEM#
(4)	651117 (for 659049)
(4)	651205 (for 659050)
(4)	651482 (for 659051)
(4)	651487 (for 659052)



ITEM #	LBS	A	B	C	K	E	F	G	H	J	K	L
659049	.575	3.000	2.250	1.500	1.500	2.000	1.000	.257 THRU	1.062	2.125	.500	1.004
659050	.568	3.000	2.250	1.500	1.500	2.000	1.500	.328 THRU	1.062	2.125	.500	1.004
659051	1.210	3.875	3.000	2.250	1.937	2.500	1.500	.328 THRU	1.125	2.500	.750	1.505
659052	1.906	4.750	3.750	2.750	2.375	3.500	1.500	.328 THRU	1.625	3.500	1.000	2.005

Stanchions

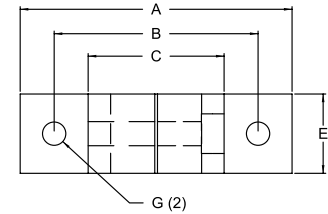
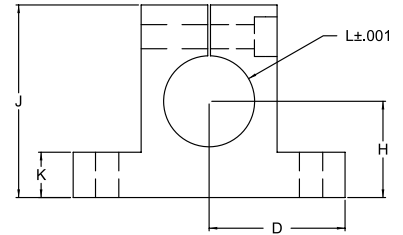
STANCHIONS - Horizontal Quick Clamp



ITEM #	DESCRIPTION
659021	10 S 1" Horizontal Quick Clamp
659022	15 S 1" Horizontal Quick Clamp

RECOMMENDED FASTENERS

QTY	ITEM#
(2)	651117 (for 659021)
(2)	651205 (for 659022)



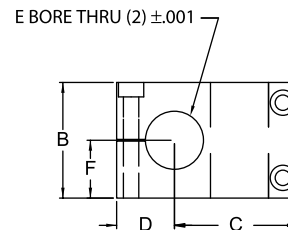
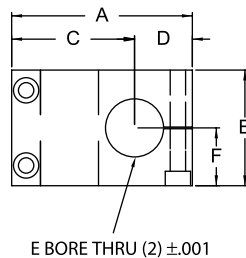
ITEM #	LBS	A	B	C	D	E	G	H	J	K	L
659021	.294	3.000	2.250	1.500	1.500	1.000	.257 THRU	1.062	2.125	.500	1.004
659022	.294	3.000	2.250	1.500	1.500	1.000	.328 THRU	1.062	2.125	.500	1.004

STANCHIONS - Cross Clamp



ITEM #	DESCRIPTION
659031	1" Diameter Stanchion Cross Clamp
659033	1.5" Diameter Stanchion Cross Clamp
659035	2" Diameter Stanchion Cross Clamp

ITEM #	LBS	A	B	C	D	E	F
659031	.925	3.125	2.000	2.125	1.000	1.004	1.000
659033	1.665	4.125	2.500	2.875	1.250	1.505	1.250
659035	3.620	5.500	3.500	3.875	1.750	2.005	1.625



08 | LINEAR MOTION

SHIMLESS INDUSTRIAL LINEAR BEARINGS

Shimless Industrial Linear Bearings are designed to be used in both low and high acceleration/deceleration applications. The Shimless Industrial Linear Bearing contains special threaded inserts in the pads that allow for a more heavy duty bearing. The Shimless Industrial Linear Bearings can be used in applications such as actuators, parts transfers, or pick and place operations.

ADVANTAGES OF THE SHIMLESS INDUSTRIAL LINEAR BEARING ARE:

1. Added radii increases structural strength of extrusion housing, and smooth clean finish.
2. Shimless Industrial Bearings provide convenience and single tool adjustability without disassembly.
3. Full length bearing pads on all bearings.
4. Due to type of fasteners provided, all bearings are designed for Industrial (hi-cycle, long life) use.
5. Can install L-handle brake for positioning.
6. Eliminate adjustability of bearing by using shim pack.

Linear Motion

10 SERIES SINGLE FLANGE LINEAR BEARINGS

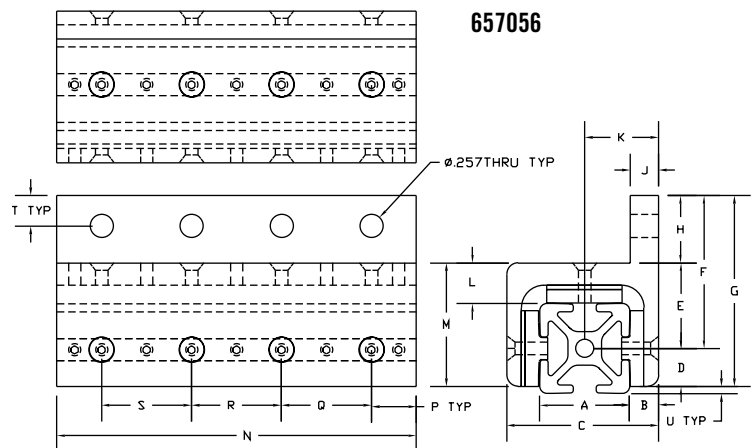
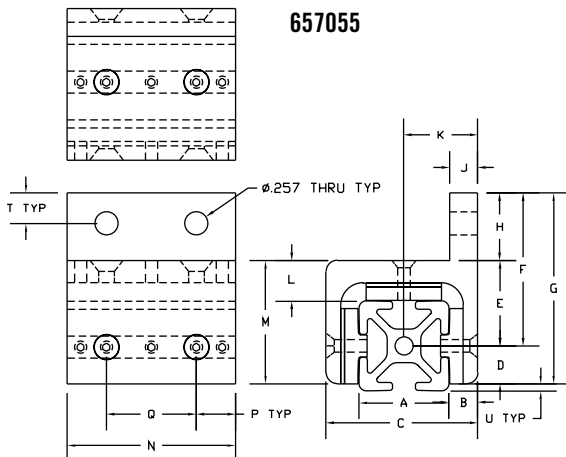


ITEM #	DESCRIPTION
657055	10 Series Single Flange Linear Bearings ^(25S)
657056	10 Series Single Flange Linear Bearings Long ^(25S)

» See page 08:12 for Linear Bearing Assembly and Adjustment Instructions.

ITEM #	657055	657056
A	1.000	1.000
B	.306	.306
C	1.701	1.701
D	.403	.403
E	1.007	1.007
F	1.757	1.757
G	2.160	2.160
H	.750	.750
J	.312	.312
K	.831	.831
L	.507	.507
M	1.410	1.410
N	1.88	4.00
P	.438	.500
Q	1.000	1.000
R	N/A	1.000
S	N/A	1.000
T	.375	.375
U*	.097	.097

* Add 1.00" when using 1020 extrusion.



10 SERIES DOUBLE FLANGE LINEAR BEARINGS

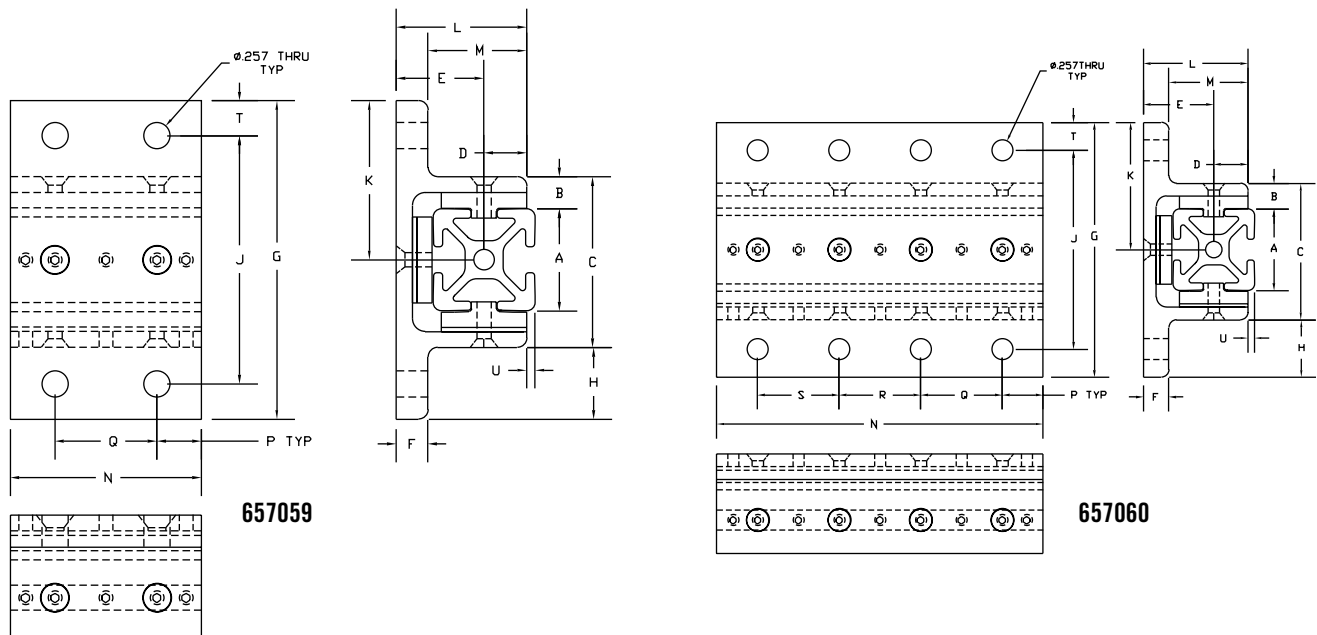


ITEM #	DESCRIPTION
657059	10 Series Double Flange Linear Bearings ^(25S)
657060	10 Series Double Flange Linear Bearings Long ^(25S)

» See page 08:12 for Linear Bearing Assembly and Adjustment Instructions.

ITEM #	657059	657060
A	1.000	1.000
B	.306	.306
C	1.701	1.701
D	.403	.403
E	.913	.913
F	.312	.312
G	3.260	3.260
H	.780	.780
J	2.500	2.500
K	1.610	1.610
L	1.316	1.316
M	1.004	1.004
N	1.88	4.00
P	.438	.500
Q	1.000	1.000
R	N/A	1.000
S	N/A	1.000
T	.360	.360
U*	.097	.097

* Add 1.00" when using 1020 extrusion.



Linear Motion

10 SERIES DOUBLE FLANGE LINEAR BEARINGS

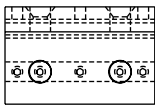


ITEM #	DESCRIPTION
657057	10 Series Double Flange Linear Bearings ^(25S)
657058	10 Series Double Flange Linear Bearings Long ^(40S)

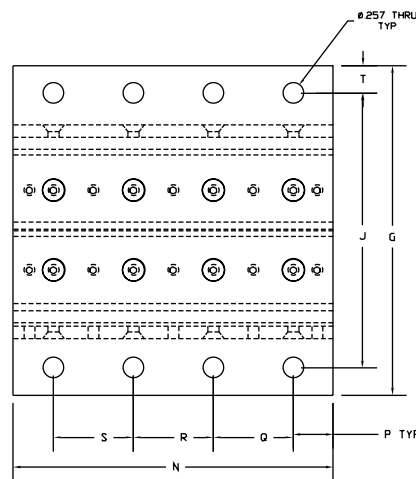
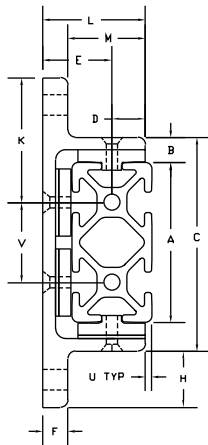
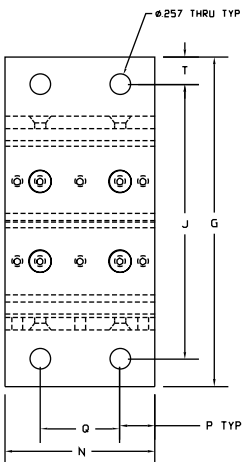
» See page 08:12 for Linear Bearing Assembly and Adjustment Instructions.

ITEM #	657057	657058
A	2.000	2.000
B	.306	.306
C	2.707	2.707
D	.403	.403
E	.913	.913
F	.312	.312
G	4.250	4.250
H	.772	.772
J	3.490	3.490
K	1.610	1.610
L	1.316	1.316
M	1.004	1.004
N	1.88	4.00
P	.438	.500
Q	1.000	1.000
R	N/A	1.000
S	N/A	1.000
T	.360	.360
U*	.097	.097
V	1.000	1.000

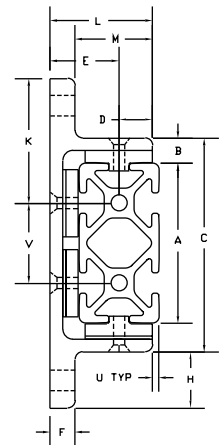
* Add 1.00" when using the 2020 extrusion.



657057



657058



15 SERIES SINGLE FLANGE LINEAR BEARINGS

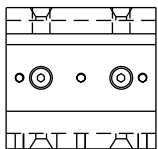


ITEM #	DESCRIPTION
657092	15 Series Single Flange Linear Bearings
657093	15 Series Single Flange Linear Bearings Long

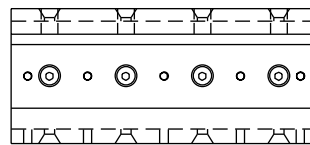
» See page 08:12 for Linear Bearing Assembly and Adjustment Instructions.

ITEM #	657092	657093
A	1.500	1.500
B	.490	.490
C	2.600	2.600
D	.620	.620
E	1.440	1.440
F	2.190	2.190
G	2.818	2.818
H	.750	.750
J	.500	.500
K	1.275	1.275
L	.690	.690
M	2.068	2.068
N	2.81	6.00
P	.656	.750
Q	1.500	1.500
R	N/A	1.500
S	N/A	1.500
T	.375	.375
U*	.130	.130

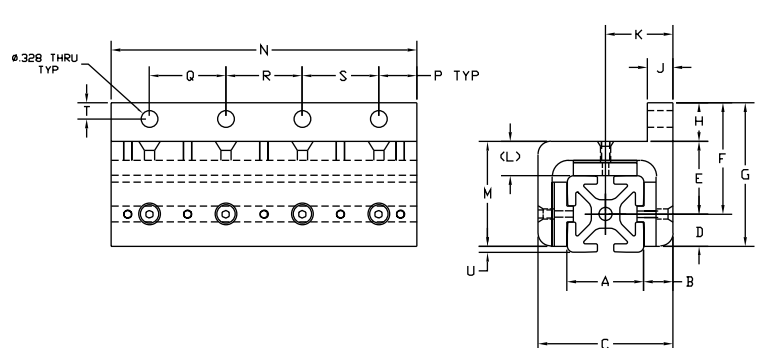
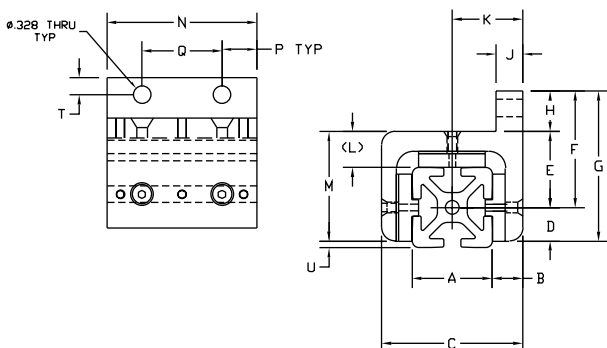
* Add 1.50" when using the 1530 /1530L extrusions or 3.00" when using the 1545 extrusion.



657092



657093



Linear Motion

15 SERIES DOUBLE FLANGE LINEAR BEARINGS

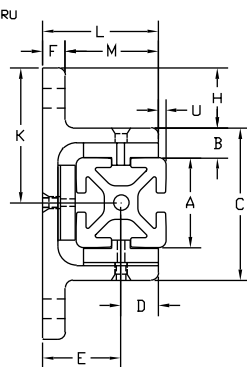
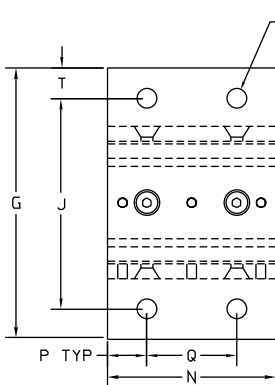


ITEM #	DESCRIPTION
657097	15 Series Double Flange Linear Bearings
657098	15 Series Double Flange Linear Bearings Long

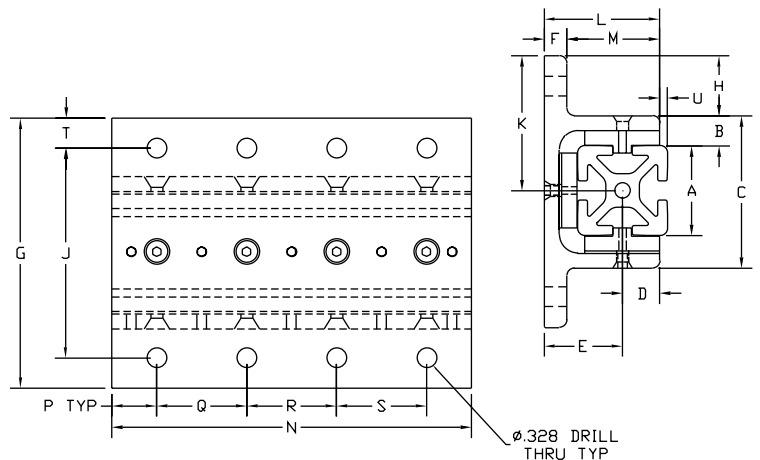
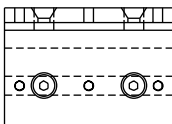
» See page 08:12 for Linear Bearing Assembly and Adjustment Instructions.

ITEM #	657097	657098
A	1.500	1.500
B	.490	.490
C	2.600	2.600
D	.620	.620
E	1.323	1.323
F	.375	.375
G	4.500	4.500
H	.950	.950
J	3.500	3.500
K	2.225	2.225
L	1.943	1.943
M	1.568	1.568
N	2.81	6.00
P	.656	.750
Q	1.500	1.500
R	N/A	1.500
S	N/A	1.500
T	.475	.475
U*	.130	.130

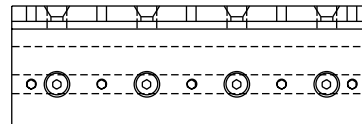
* Add 1.50" when using the 1530 /1530L extrusions or 3.00" when using the 1545 extrusion.



657097



657098



15 SERIES DOUBLE FLANGE LINEAR BEARINGS

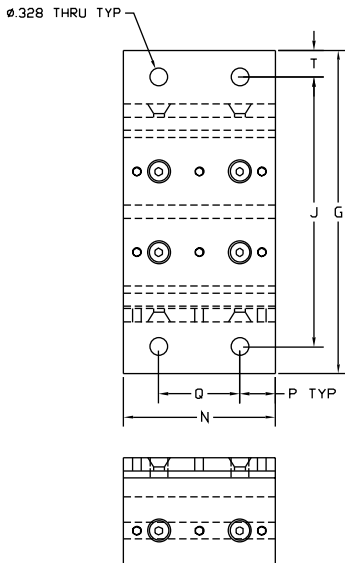


ITEM #	DESCRIPTION
657095	15 Series Double Flange Linear Bearings
657096	15 Series Double Flange Linear Bearings Long

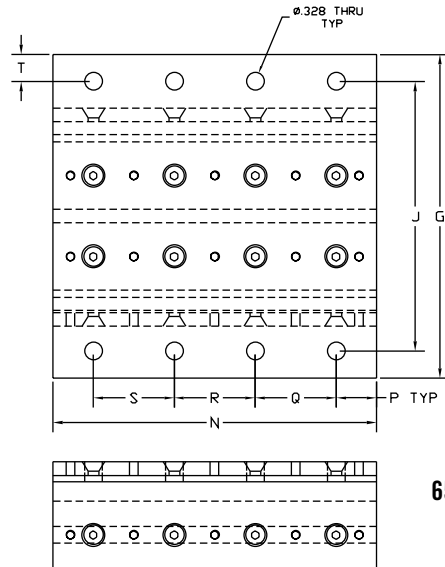
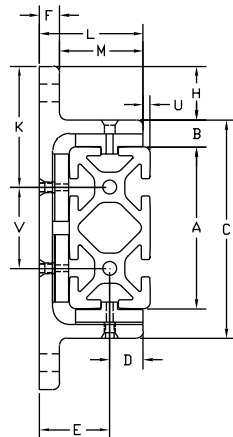
» See page 08:12 for Linear Bearing Assembly and Adjustment Instructions.

ITEM #	657095	657096
A	3.000	3.000
B	.490	.490
C	4.100	4.100
D	.620	.620
E	1.323	1.323
F	.375	.375
G	6.000	6.000
H	.950	.950
J	5.000	5.000
K	2.225	2.225
L	1.943	1.943
M	1.568	1.568
N	2.81	6.00
P	.656	.750
Q	1.500	1.500
R	N/A	1.500
S	N/A	1.500
T	.475	.475
U*	.130	.130
V	1.500	1.500

* Add 1.50" when using the 3030 extrusions or 4.50" when using the 3060 extrusion.



657095



657096

Linear Motion

10 SERIES ECONOMY SINGLE FLANGE LINEAR BEARINGS



657150

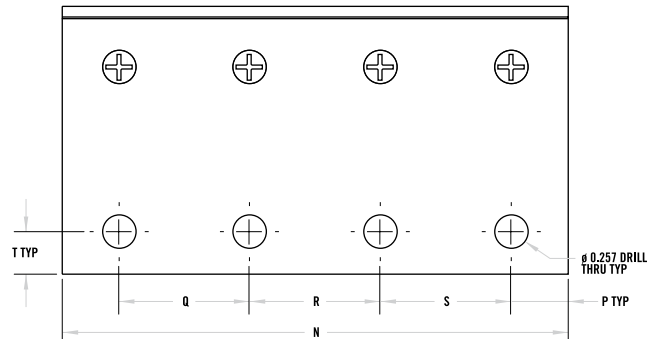
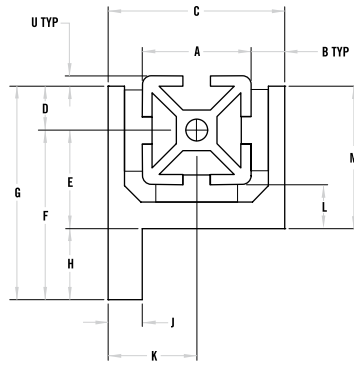


657151

ITEM #	DESCRIPTION
657150	10 Series Economy Short Flange Linear Bearing
657151	10 Series Economy Long Flange Linear Bearing

ITEM #	657150	657151
A	1.00	1.00
B	.312	.312
C	1.625	1.625
D	.406	.406
E	.903	.903
F	1.562	1.562
G	1.968	1.968
H	.656	.656
J	.312	.312
K	.813	.813
L	.406	.406
M	1.312	1.312
N	1.875	4.000
P	.438	.500
Q	1.000	1.000
R	N/A	1.000
S	N/A	1.000
T	.343	.343
U*	.094	.094

*Add 1" when using a 1" x 2" extrusion or 2" when using a 1" x 3" extrusion.



10 SERIES ECONOMY DOUBLE FLANGE LINEAR BEARINGS



657152

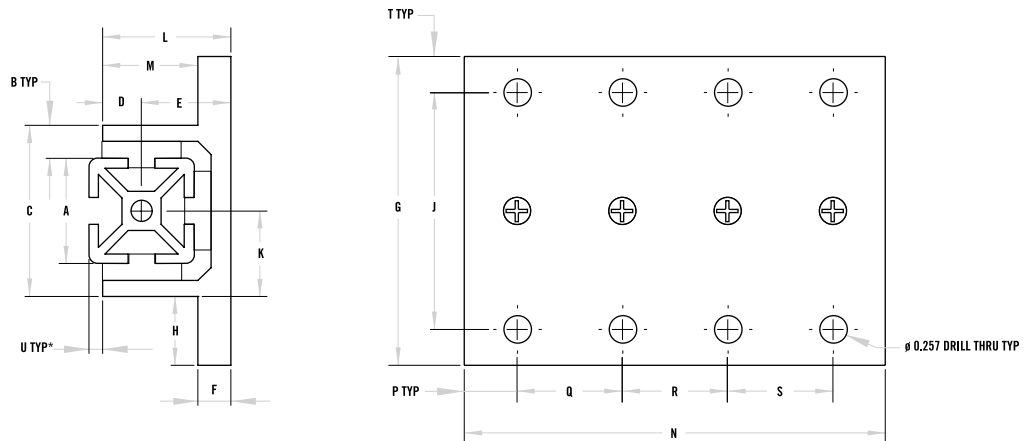


657153

ITEM #	DESCRIPTION
657152	10 Series Economy Short Double Flange Linear Bearing
657153	10 Series Economy Long Double Flange Linear Bearing

ITEM #	657152	657153
A	1.00	1.00
B	.312	.312
C	1.625	1.625
D	.406	.406
E	.812	.812
F	.312	.312
G	2.937	2.937
H	.656	.656
J	2.250	2.250
K	.812	.812
L	1.218	1.218
M	.906	.906
N	1.875	4.000
P	.438	.500
Q	1.000	1.000
R	N/A	1.000
S	N/A	1.000
T	.343	.343
U*	.094	.094

*Add 1" when using a 1" x 2" extrusion or 2" when using a 1" x 3" extrusion.



Linear Motion

08:10

10 SERIES ECONOMY DOUBLEWIDE FLANGE LINEAR BEARINGS



657154

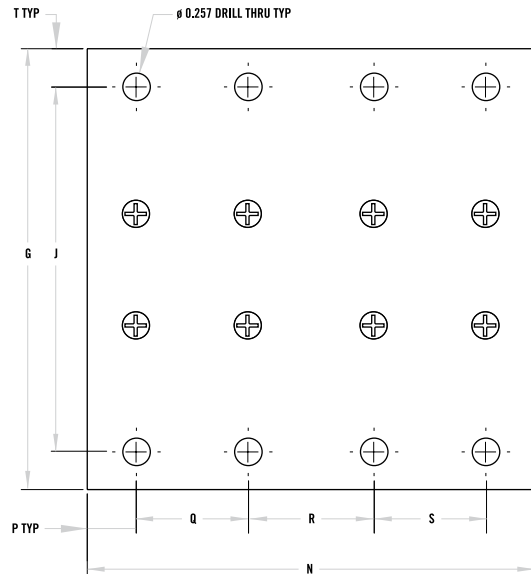
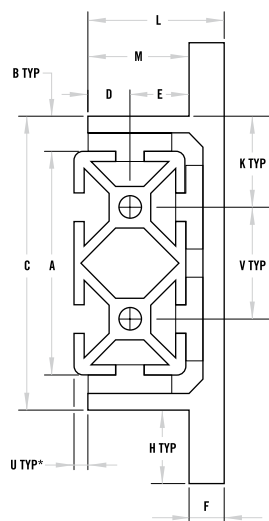


657155

ITEM #	DESCRIPTION
657154	10 Series Economy Short Doublewide Flange Linear Bearing
657155	10 Series Economy Long Doublewide Flange Linear Bearing

ITEM #	657154	657155
A	2.00	2.00
B	.312	.312
C	2.63	2.63
D	.406	.406
E	.812	.812
F	.312	.312
G	3.937	3.937
H	.656	.656
J	3.250	3.250
K	.812	.812
L	1.218	1.218
M	.906	.906
N	1.875	4.00
P	.437	.500
Q	1.00	1.00
R	N/A	1.00
S	N/A	1.00
T	.343	.343
U*	.094	.094
V	1.00	1.00

*Add 1" when using a 2" x 2" extrusion or 3" when using a 2" x 4" extrusion.



15 SERIES ECONOMY FLANGE LINEAR BEARINGS



657156

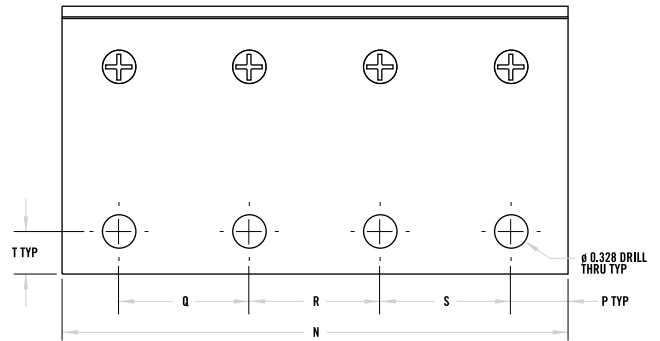
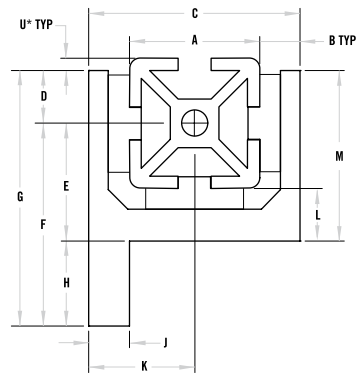


657157

ITEM #	DESCRIPTION
657156	15 Series Economy Short Flange Linear Bearing
657157	15 Series Economy Long Flange Linear Bearing

ITEM #	657156	657157
A	1.50	1.50
B	.500	.500
C	2.50	2.50
D	.625	.625
E	1.375	1.375
F	2.125	2.125
G	2.75	2.75
H	.750	.750
J	.500	.500
K	1.25	1.25
L	.625	.625
M	2.00	2.00
N	2.182	6.00
P	.656	.750
Q	1.50	1.50
R	N/A	1.50
S	N/A	1.50
T	.375	.375
U*	.125	.125

*Add 1.5" when using a 1.5" x 3" extrusion or 3" when using a 1.5" x 4" extrusion.



Linear Motion

08:12

15 SERIES ECONOMY DOUBLE FLANGE LINEAR BEARINGS



657148

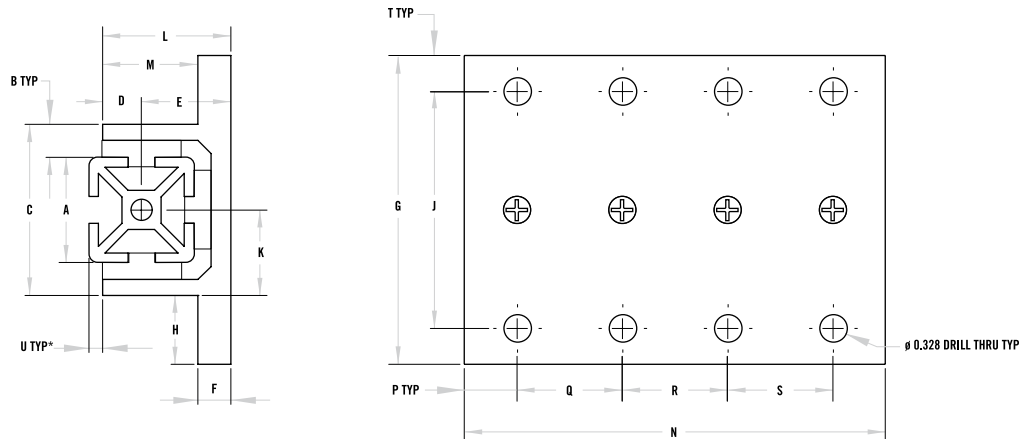


657158

ITEM #	DESCRIPTION
657148	15 Series Economy Short Double Flange Linear Bearing
657158	15 Series Economy Long Double Flange Linear Bearing

ITEM #	657148	657158
A	1.500	1.500
B	.500	.500
C	2.500	2.500
D	.640	.640
E	1.235	1.235
F	.375	.375
G	4.000	4.000
H	.750	.750
J	3.250	3.250
K	1.250	1.250
L	1.875	1.875
M	1.500	1.500
N	2.312	6.000
P	.656	.750
Q	1.500	1.500
R	N/A	1.500
S	N/A	1.500
T	.375	.375
U*	.125	.125

*Add 1.50" when using a 1.5" x 3" extrusion or 3" when using a 1.5" x 4.5" extrusion.



15 SERIES ECONOMY DOUBLEWIDE FLANGE LINEAR BEARINGS



657147

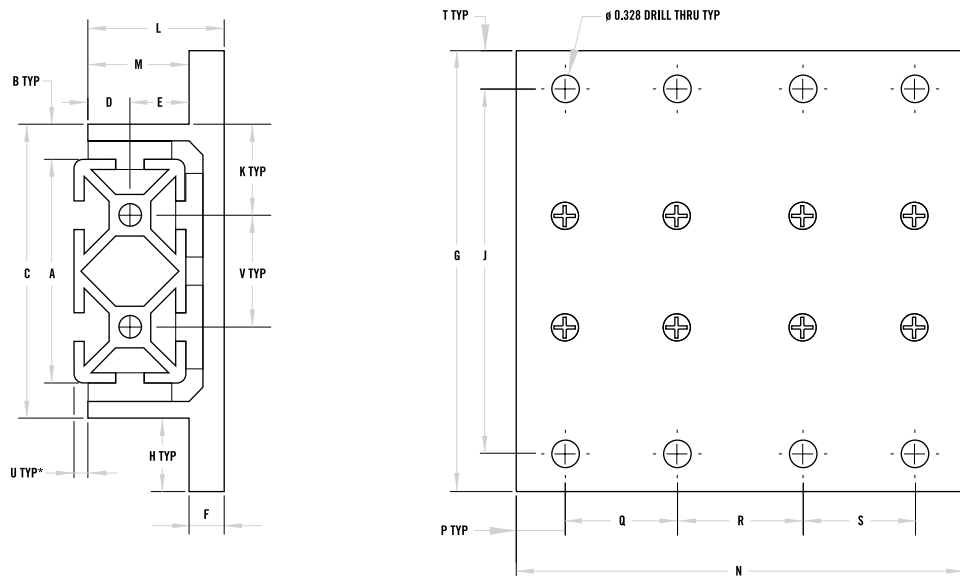


657149

ITEM #	DESCRIPTION
657147	15 Series Economy Short Doublewide Flange Linear Bearing
657149	15 Series Economy Long Doublewide Flange Linear Bearing

ITEM #	657147	657149
A	3.00	3.00
B	.500	.500
C	4.00	4.00
D	.640	.640
E	1.235	1.235
F	.375	.375
G	5.50	5.50
H	.750	.750
J	4.75	4.75
K	1.25	1.25
L	1.875	1.875
M	1.50	1.50
N	2.812	6.00
P	.656	.750
Q	1.50	1.50
R	N/A	1.50
S	N/A	1.50
T	.375	.375
U*	.125	.125
V	1.50	1.50

*Add 1.5" when using a 3" x 3" extrusion or 4.5" when using a 3" x 6" extrusion.



Linear Motion

LINEAR BEARING BRAKE HANDLE KITS



ITEM #	DESCRIPTION
657106	10 Series L-Handle
657107	10 Series Hex Nut
657108	10 Series Wing Nut
657079	15 Series L-Handle
657080	15 Series T-Handle
657081	15 Series Star Handle
657082	15 Series Hex Nut
657083	15 Series Wing Nut

**Includes Handle, Stud and Washers*

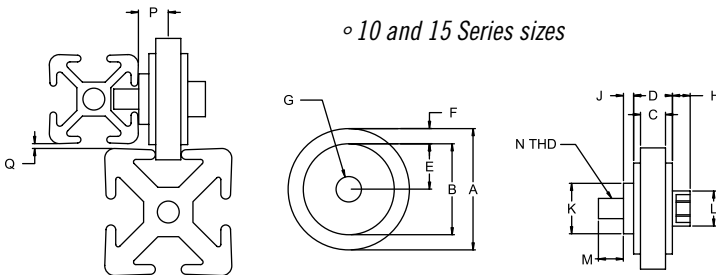
BLACK NYLON ROLLER WHEELS



ITEM #	DESCRIPTION
655222	10 S Roller Wheel
655223	10 S To 15 S Roller Wheel
655224	15 S Economy Roller Wheel
655221	15 S Deluxe Roller Wheel

- Use for guided linear motion
- Mounts to extrusion end or in T-Slot
- Made of high strength black nylatron
- Fasteners included
- 10 and 15 Series sizes

ITEM #	655221	655224	655223	655222
A	2	2	1.5	1.5
B	1.625	1.625	1.125	1.125
C	0.31	0.31	0.31	0.24
D	0.72	0.72	0.48	0.48
E	0.812	0.812	0.563	0.563
F	0.188	0.188	0.188	0.188
G	0.375	0.375	0.314	0.314
H	0.25	0.25	0.219	0.219
J	0.125	0.125	0.125	0.125
K	0.75	0.75	0.625	0.625
L	0.562	0.562	0.435	0.435
M	0.375	0.375	0.31	0.31
N	5/16-18	5/16-18	1/4-20	1/4-20
Q	0.06	0.06	0.06	0.06
P	0.485	0.485	0.37	0.37



		MOUNTS TO											
		1 x 1	1 x 2	2 x 2	1.5 x 1.5	1.5 x 1.5L	1.5 x 3.0	1.5 x 3.0L	1.5 x 4.5	3 x 3			
ROLLS IN	1 x 1	655222			655223								
	1 x 2												
	2 x 2												
	1.5 x 1.5	655221 & 655224											
	1.5 x 1.5L												
	1.5 x 3.0												
	1.5 x 3.0L												
	1.5 x 4.5												
3 x 3													

ROLLER WHEEL BRACKETS AND ASSEMBLIES

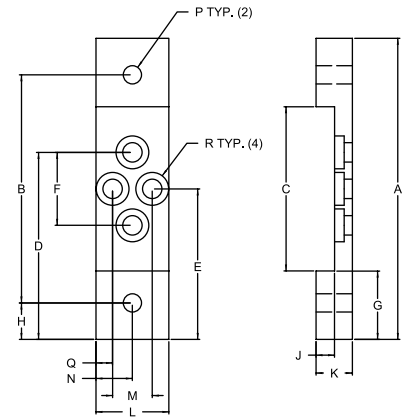


ITEM #	DESCRIPTION
655472	1010 Roller Wheel Bracket
655473	1010 Roller Wheel Bracket w/ 655222
655474	1020 Roller Wheel Bracket
655475	1020 Roller Wheel Bracket w/ 655222
655476	15 S Roller Wheel Bracket
655477	15 S Roller Wheel Bracket w/ 655221
655478	15 S Roller Wheel Bracket w/ 655224
655479	15 S Roller Wheel Bracket
655480	1530 Roller Wheel Bracket w/ 655221
655481	1530 Roller Wheel Bracket w/ 655224

- Ideal for framed doors
- Assembly part numbers include roller wheels
- Fasteners included for both assembly and bracket part numbers

INCLUDED HARDWARE

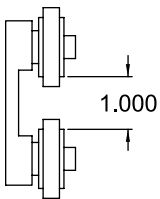
QTY	SERIES	DESCRIPTION
2	10 S	1/4-20 x 3/8" LHSCS
2	10 S	1/4-20 Std T-Nut
2	15 S	5/16-18 x 5/8" LHSCS
2	15 S	5/16-18 Std T-Nut



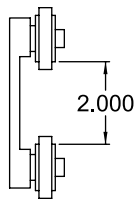
ITEM #	A	B	C	D	E	F	G	H	J	K	L	M	N	Q	P
655472	3.125	2.125	1.25	1.897	1.563	0.669	0.938	0.5	0.255	0.5	1	0.544	0.5	0.228	1/4-20
655474	4.125	3.125	2.25	2.562	2.063	1	0.938	0.5	0.255	0.5	1	0.544	0.5	0.228	1/4-20
655476	4.625	3.125	1.75	2.743	2.313	0.86	1.438	0.75	0.39	0.75	1.5	0.735	0.75	0.383	5/16-18
655479	6.125	4.625	3.25	3.813	3.063	1.5	1.438	0.75	0.39	0.75	1.5	0.735	0.75	0.383	5/16-18

ROLLER WHEEL BRACKETS AND ASSEMBLIES

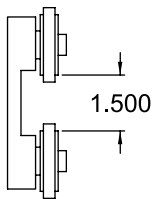
655473



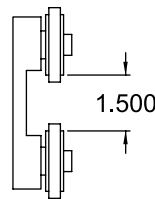
655475



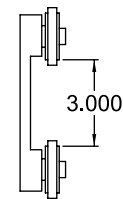
655477



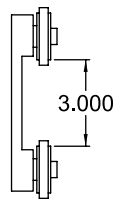
655478



655480



655481



ASSEMBLY PART #	INDIVIDUAL PART NUMBER							
	655472	655474	655476	655479	655222	655223	655221	655224
655473	1				2			
655475		1			2			
655477			1				2	
655480				1			2	
655478			1					2
655481				1				2

Linear Motion

LINEAR BEARING MACHINING SERVICES



ITEM #	DESCRIPTION
660093	10 S Brake Machining Service (.281 Hole)
660092	15 S Brake Machining Service (.328 Hole)

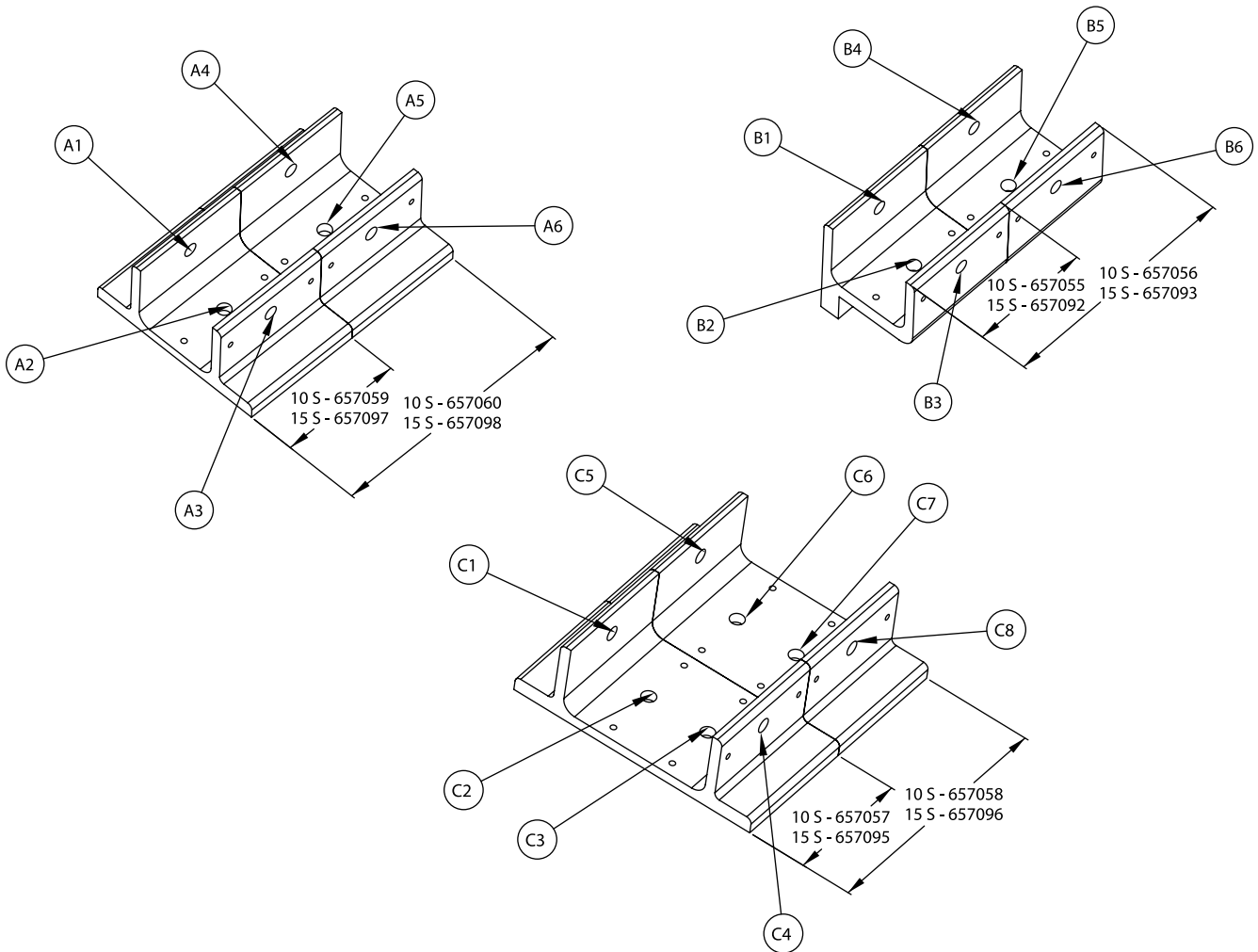
To order linear bearing machining services, specify the linear bearing, the machining service and the brake hole location.

Example - 657095 - 660092 @ C4

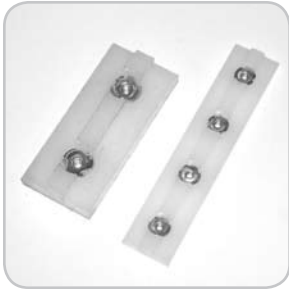
» We recommend using Linear Brakes on the side without the set screw if possible.

» Refer to linear bearing drawings on pages 8:02 - 8:13 for dimensions.

When ordering linear bearing machining services, make sure the linear bearing and the machining service are both the same series.



LINEAR BEARING REPLACEMENT PADS



ITEM #	DESCRIPTION
657135	10 S Short Keyed Bearing Pad
657133	10 S Short Flat Bearing Pad
657136	10 S Long Keyed Bearing Pad
657134	10 S Long Flat Bearing Pad
657139	15 S Short Keyed Bearing Pad
657137	15 S Short Flat Bearing Pad
657140	15 S Long Keyed Bearing Pad
657138	15 S Long Flat Bearing Pad

TSLOTS LINEAR BEARINGS

The shimless linear bearing from Futura Industries provides accurate linear movement on TSLOTS extrusions. The bearing can be adjusted for the first time on an assembly or adjusted for wear while assembled to the application, providing that the adjustment screws are available to the adjustment tools. No shims, no disassembly, only accurate sliding.

1. Linear Bearing adjustable bearing pads are delivered in the open position. Slide the bearing on the extrusion to be used. (Fit will be loose, because of the open position.)
2. Using a 1/16 allen wrench for a 10 Series linear bearing, and a 3/32 allen wrench for 15 Series linear bearing, loosen the Flathead socket cap screws on each side of the linear bearing incrementally as follows. (Fig. #1)

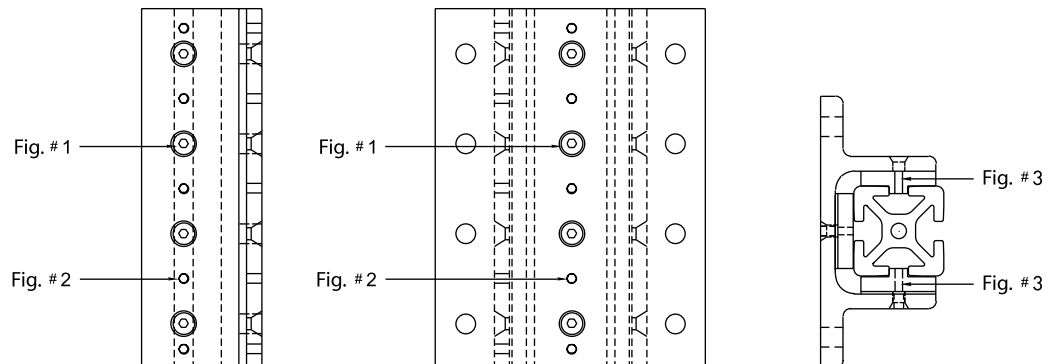
- 10 Series Bearing, 4-40 THREAD
- 15 Series Bearing, 8-32 THREAD

**Each flathead screw should be loosened the same amount, to provide even shimming on the extrusion.*

3. Tighten each set screw, using a .050 allen wrench for a 10 Series linear Bearing, and a 5/64 allen wrench for a 15 Series linear bearing, until each flat head screw is properly seated in each countersink. Hint: The amount of turns per set screw will be the same amount as for the flat head socket cap screw. (Fig. #2)

4. For fine tuning: Repeat steps 2 & 3.

**Replacement bearing pads are available through Futura Industries or your distributor. Due to patent requirements, Futura Industries requires all users of the aforementioned product to only replace bearing pads as per the drawing below. Only the opposing sides have keyed bearing pads. (Fig. #3)*



09 | TOOLS

In this section you will find the tools necessary to create and assemble your TSLOTS kit. Along with multiple wrenches, combo tools and cheater pipes, we provide the counterbore cutters, access hole drill bits, taps, and jigs for machining your own TSLOTS.

Tools

BALL END FOLD OUT TOOL



ITEM #	DESCRIPTION
657014	Metric Ball End Fold Out Combo Tool
657015	Fractional Ball End Fold Out Combo Tool

- Ball point allows access to hard to reach screws
- Fractional – yellow case, Metric – red case
- Self-contained tool eliminates lost keys
- 10 and 15 Series sizes

BALL DRIVER AND L-WRENCH TOOL SET



ITEM #	DESCRIPTION
657030	Metric Ball End L-Wrench Set
657035	Standard Ball End L-Wrench Set

- Ball point allows access to hard to reach screws
- Fractional – yellow case, Metric – red case
- 10 and 15 Series sizes

657014	657015	657030	657035
5mm	3/16	1.5mm	.050
6mm	7/32	2mm	1/16
7mm	1/4	2.5mm	5/64
8mm	5/16	3mm	3/32
10mm	3/8	4mm	7/64
		5mm	1/8
		6mm	9/64
		8mm	5/32
		10mm	3/16
			7/32
			1/4
			5/16
			3/8

RECOMMENDED TOOL SIZE FOR FASTENERS:

Thread size	SHCS	BHSCS
8/32	N/A	3/32"
10-32	5/32"	1/8"
1/4-20	3/16"	5/32"
5/16-18	1/4"	3/16"
3/8-16	5/16"	N/A
M6	5mm	4mm
M8	6mm	5mm

BALL END L HEX WRENCH



ITEM #	DESCRIPTION
657025	5/32" Ball End "L" Hex Wrench
657002	3/16" Ball End "L" Hex Wrench
657005	1/4" Ball End "L" Hex Wrench
657022	M4 Ball End "L" Hex Wrench
657023	M5 Ball End "L" Hex Wrench
657024	M6 Ball End "L" Hex Wrench

- Ball end for off axis rotation
- Long arm for maximum torque
- Allows for angle entry up to 25°

CHEATER PIPE



ITEM #	DESCRIPTION
657001	Cheater Pipe

- Gives extra torque in hard to reach spots
- Use with a ball end "L" hex wrench
- Fits over the end of a 1/4" hex wrench

T HANDLE BALL END HEX WRENCHES



ITEM #	DESCRIPTION
657000	3/16" "T" Handle Hex Wrench
657004	1/4" "T" Handle Hex Wrench
657034	5/32" "T" Handle Hex Wrench
657031	M4 "T" Handle Hex Wrench
657032	M5 "T" Handle Hex Wrench
657033	M6 "T" Handle Hex Wrench

- Cushion grip for maximum torque
- 10" long arm for hard to reach areas
- Allows for angle entry up to 25°

Tools

09:04

ANCHOR FASTENER COUNTERBORE CUTTERS



ITEM #	DESCRIPTION
657008	13/16" Counterbore Cutter
657043	10 S 9/16" Counterbore Cutter

- *Two flute style single end*
- *Made of high speed steel*
- *Specially ground for long life*
- *Allows you to make your own counterbores*

ACCESS HOLE DRILL BITS



ITEM #	DESCRIPTION
657036	10 Series .218 x 2.3 Access Hole Drill
657010	15 Series .295 x 2.68 Access Holl Drill

- *Two flute*
- *High speed steel*
- *Can be used with drill jigs, drill press, or mill*

TAPS



ITEM #	DESCRIPTION
657143	1/4-20 2 Flute Plug Tap
657144	M6 x 1.0 2 Flute Plug Tap
657145	5/16-18 2 Flute Plug Tap
657146	M8 x 1.25 2 Flute Plug Tap

ACCESS HOLE DRILL JIGS



ITEM #	DESCRIPTION
657037	.218 Access Hole Drill Jig for 1010
657040	.218 Access Hole Drill Jig 2 Hole for 1020
657042	.218 Access Hole Jig 4 Hole for 2020
657038	.218 Replacement Bushing for 10 Series
657011	.296 Access Hole Drill Jig For 1515
657039	.296 Access Hole Drill Jig 2 Hole for 1530
657041	.296 Access Hole Drill Jig 4 Hole for 3030
657012	.296 Replacement Bushing for 15 Series

- *Locates access holes precisely*
- *Hardened dowel pins prevent rotation*
- *Replaceable, hardened drill bushings*

10 | EXTRUSION PROFILES

The extrusion profiles are available in stock lengths in both mill finish and clear anodized, unless otherwise noted. This will allow you to custom machine your own brackets, joining plates, door hinges and other profiles that are not included in the catalog.

If you prefer, we can custom machine any of the profiles in this section that are needed to complete your project. If you need a custom part, just fax or email your drawing and we will create your part to match your print.

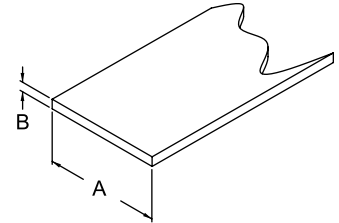
WHEN ORDERING EXTRUSION PROFILES OR CUSTOM MACHINED PARTS, CONSIDER THE FOLLOWING:

1. Include the item number of the part you are ordering.
2. Specify your length of extruded profile in inches and decimals.
3. Include a cut charge for any length under stock length.
4. Remember, if you need a custom machined part, send us your drawing for a quote.

Extrusion Profiles

FLAT STOCK

ANODIZED	MILL FINISH	A*	B	STOCK LN
662030	662031	1.00	.188	144
662034	662035	1	.188	144
662036	662037	1	.25	144
662040	662041	1	.50	144
N/A	662084	1.25	1.25	144
662042	662043	1.49	.25	144
662044	662045	1.5	.50	144
662046	662047	1.5	.75	144
N/A	662085	1.75	1.75	144
662050	662051	2	.188	144
662048	662049	2	.50	144
662142	662143	2.060	2.060	144
N/A	662120	2	2.5	144
662054	662055	2.5	.50	144
N/A	662121	2.5	2.5	144
662052	662053	3	.188	144
662056	662057	3	.25	144
N/A	662154	3	.5	144
662060	662061	3	.75	144
662146	662147	3.060	1.510	144
662062	662063	4	.188	144
662064	662065	4	.25	144
662066	662067	4	.75	144
662076	662077	4	2	144
N/A	662131	4	3	144
N/A	662112	4.5	.25	144
662068	662069	5	.25	144
662070	662071	6	.25	144
662072	662073	6	.375	144



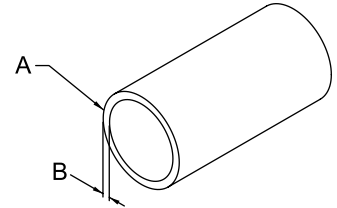
*A is the width of flatstock profile

» See page 11:05 for miscellaneous cut charges.

ALUMINUM TUBE

ANODIZED	MILL FINISH	A	B	STOCK LN
659006	659007	1	.125	144
659008	659009	1.5	.125	144
659010	659011	2	.125	144

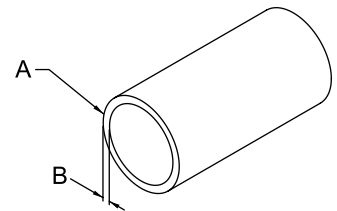
» See page 11:05 for miscellaneous cut charges.



STEEL TUBE

ITEM #	A	B	STOCK LN
659000	1	.125	144
659002	1.5	.125	144
659004	2	.125	144

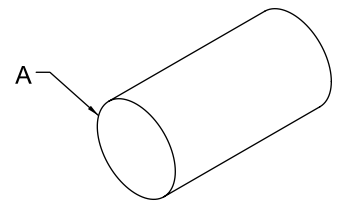
» See page 11:05 for miscellaneous cut charges.



SOLID STEEL ROUND

ITEM #	A	STOCK LN
659001	1	144
659003	1.5	144
659005	2	144

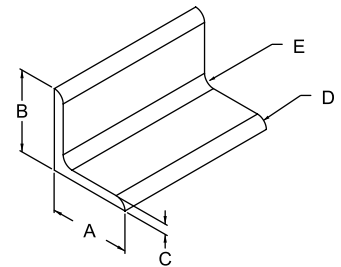
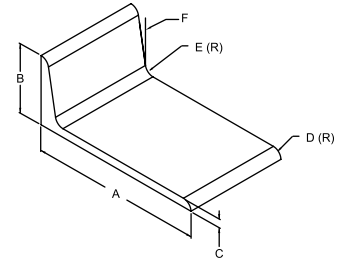
» See page 11:05 for miscellaneous cut charges.



Extrusion Profiles

ANGLES

ANODIZED	MILL FINISH	A	B	C	D	E	F	STOCK LN
662008	662009	1	1	.125	.028	.125		150
662014	662015	1	1	.188	.188	.125		150
662010	662011	1	2	.188	.188	.125		144
662012	662013	1.5	1.5	.188	.125	.088		150
662016	662017	1.5	1.5	.250	.250	.312		150
662022	662023	1.5	3	.250	.250	.312		120
662018	662019	2	2	.188	.188	.125		150
662020	662021	2.5	2.5	.188	.125	.250		150
662024	662025	3	3	.188	.125	.125		150
662026	662027	3	3	.250	.250	.312		150
662028	662029	4.5	4.5	.250	.250	.312		150
662078	662079	5	2	.250	.250	.250	10°	120
N/A	662148	3	2	.250	.250	.312		150



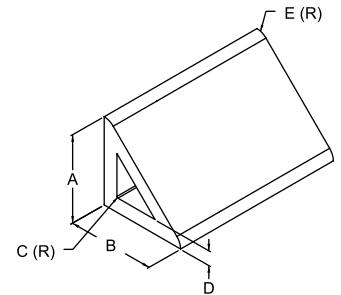
» See page 11:05 for miscellaneous cut charges.

45° GUSSET PROFILE

ANODIZED	MILL FINISH	A	B	C	D	E	STOCK LN
662134*	662135*	1	1	.020	.188	.188	120
662138	662139	1.5	1.5	.020	.250	.250	120
662136*	662137*	2	2	.020	.188	.188	120
662140	662141	3	3	.020	.250	.250	120

*10 Series compatible

» See page 11:05 for miscellaneous cut charges.

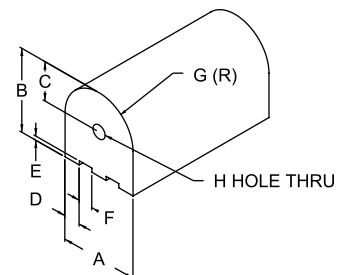


PIVOT NUB PROFILE

ANODIZED	MILL FINISH	A	B	C	D	E	F	G	H	STOCK LN
662106*	662107*	1	1.06	.50	.250	.04	.125	.50	.205	120
662104	662105	1.50	1.60	.75	.314	.08	.279	.75	.265	120

*10 Series compatible

» See page 11:05 for miscellaneous cut charges.

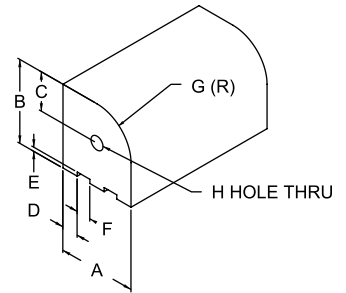


RIGHT ANGLE NUB PROFILE

ANODIZED	MILL FINISH	A	B	C	D	E	F	G	H	STOCK LN
662080*	662081*	1	1.06	.50	.250	.04	.125	.50	.205	120
662082	662083	1.50	1.60	.75	.314	.08	.279	.75	.26	120

*10 Series compatible

» See page 11:05 for miscellaneous cut charges.

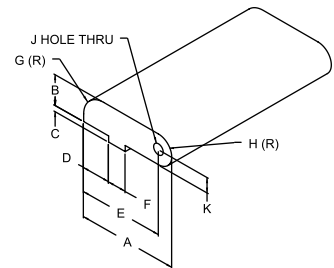


HINGE PROFILES

ANODIZED	MILL FINISH	A	B	C	D	E	F	G	H	J	K	STOCK LN
662108*	662109*	1.156	.500	.060	.252	.906	.249	.375	.250	.180	.250	120
662110	662111	1.655	.500	.100	.469	1.405	.312	.375	.250	.180	.250	120

*10 Series compatible

» See page 11:05 for miscellaneous cut charges.

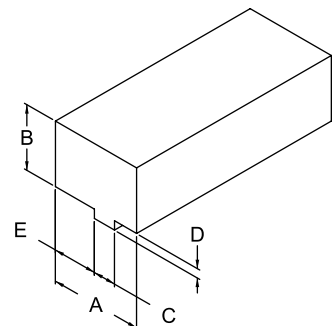


PANEL MOUNT PROFILE

ANODIZED	MILL FINISH	A	B	C	D	E	STOCK LN
662116*	662117*	.812	.700	.247	.050	.373	120
662114	662115	1.25	.875	.310	.125	.600	120

*10 Series compatible

» See page 11:05 for miscellaneous cut charges.



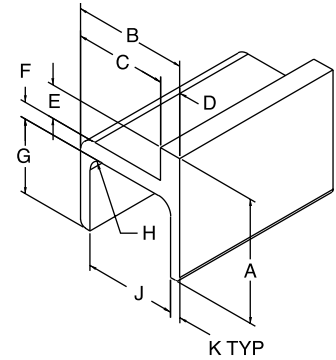
Extrusion Profiles

SINGLE FLANGE BEARING PROFILES

ANODIZED	MILL FINISH	A	B	C	D	E	F	G	H	J	K	STOCK LN
662092*	662093*	2.160	1.701	1.389	.312	.750	.250	1.160	.250	1.389	.156	120
662098	662099	2.818	2.600	2.100	.500	.750	.375	1.693	.312	2.100	.250	120

*10 Series compatible

» See page 11:05 for miscellaneous cut charges.

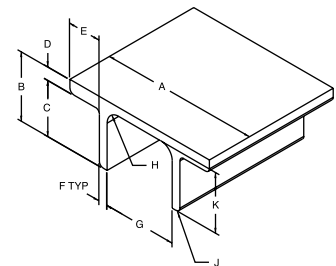


DOUBLE FLANGE BEARING PROFILE

ANODIZED	MILL FINISH	A	B	C	D	E	F	G	H	J	K	STOCK LN
662094*	662095*	3.260	1.316	1.004	.312	.780	.156	1.389	.125	.094	1.160	120
662096*	662097*	4.250	1.316	1.004	.312	.772	.156	2.395	.125	.094	1.160	120
662100	662101	4.500	1.943	1.568	.375	.950	.250	2.100	.312	.125	1.693	120
662102	662103	6.000	1.943	1.568	.375	.950	.250	3.600	.312	.125	1.693	120

*10 Series compatible

» See page 11:05 for miscellaneous cut charges.

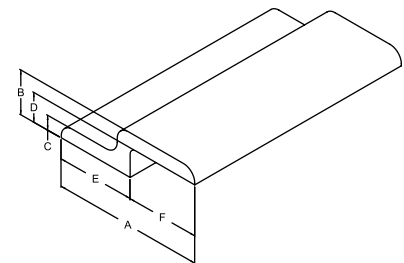


RETAINER ANGLES

ANODIZED	MILL FINISH	A	B	C	D	E	F	STOCK LN
662090*	662091*	1.938	.563	.188	.375	1.0	.938	120
662086	662087	2.879	.840	.250	.590	1.5	1.379	120

*10 Series compatible

» See page 11:05 for miscellaneous cut charges.

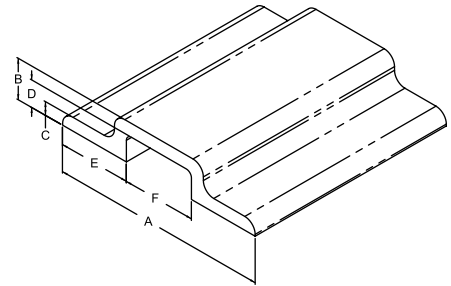


DOUBLE RETAINER ANGLES

ANODIZED	MILL FINISH	A	B	C	D	E	F	STOCK LN
662132*	662133*	3.021	.563	.188	.375	1.0	1.021	120
662088	662089	4.520	.840	.250	.590	1.5	1.523	120

*10 Series compatible

» See page 11:05 for miscellaneous cut charges.



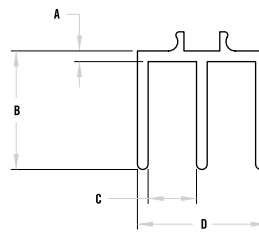
DOOR SLIDE TRACKS

ANODIZED	A	B	C	D
655189*	.062	.688	.281	.750
655188	.060	.650	.275	1.125
655191*	.085	.438	.281	.750
655190	.154	.400	.275	1.125

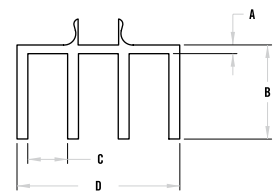
*10 Series compatible

» Profiles stocked in 12' length.

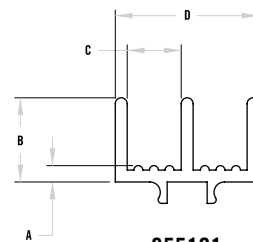
» See page 11:05 for miscellaneous cut charges.



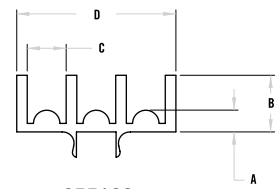
655189



655188



655191



655190

11 | MACHINING SERVICES

Machining your TSLOTS is an alternate way of assembling your project. Rather than using brackets and joining plates you can have your TSLOTS machined and ready in kit form for quick assembly.

Machining Services

MACHINING SERVICE

There are 8 standard machining services, they are as follows:

- Cut to Length
- Tap Profile End
- Drill Access Hole
- Counterbore Anchor/Butt Fastening Assembly
- Counterbore for Miter Cuts
- Plastic/Wire Cut to Length
- Panel Notch for Profile/Fastener Clearance
- Deluxe Door Handle Milling Service

To make machining TSLOTS a simple, straightforward process, it is necessary to identify the machinable location of the extrusion. For standard services, refer to the drawings on this page for basic identification of each profile.

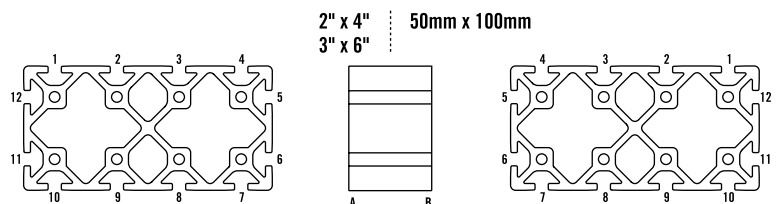
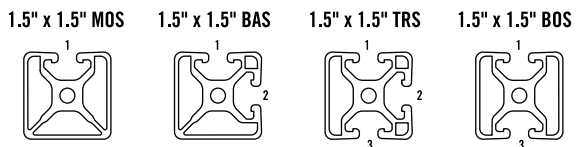
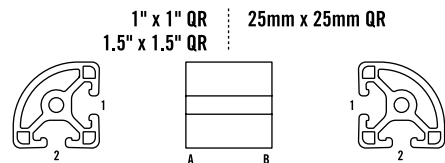
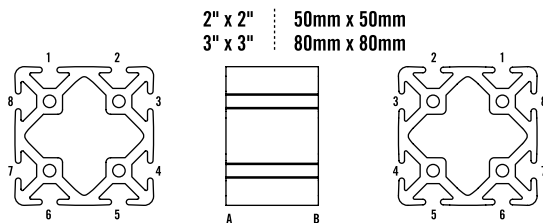
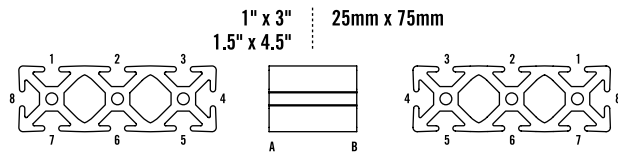
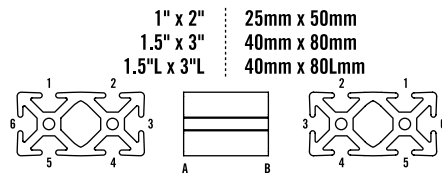
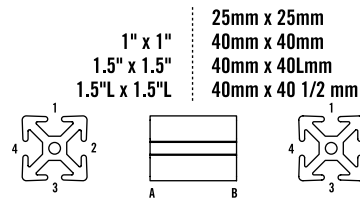
The machining section will detail each type of standard machining service so you can properly identify what you need done to your TSLOTS, either in our facility or yours.

Some things to keep in mind when ordering machining services:

If you order TSLOTS extrusions that are less than stocked length (20'), make sure the quantity of cut to length services matches the number of TSLOTS ordered. Where possible, include a drawing with the required machining services.

Remember, if you have us machine your kit for you, it will arrive at your door ready to assemble. Or, if you prefer, we will ship your kit to you pre-assembled, ready to use.

For non-standard machining services, custom prints are required or engineering help is available.



ORDERING NOTES

CUT TO LENGTH

Specify –

1. The extrusion item number or description
2. The machining service number
3. The length of the extrusion
4. The quantity of extrusions

TAPPING

Specify –

1. The extrusion item number or description
2. The number of pieces to be tapped
3. The machining service number
4. The end(s) at which the tapped hole is required
5. The length of the extrusion

DRILL ACCESS HOLES

Specify –

1. The extrusion item number or description
2. The number of pieces to be drilled
3. The machining service number
4. The T-Slot location at which the feature is required and the distance from end "A"
5. The length of the extrusion

COUNTERBORE FOR ANCHOR/BUTT FASTENER ASSEMBLY

Specify –

1. The extrusion item number or description
2. The number of pieces to be counterbored
3. The machining service number
4. The end(s) to be machined and the T-Slot location at which the counterbore is required
5. The length of the extrusion

MITER CUT AND COUNTERBORE

Specify –

1. The extrusion item number or description
2. The number of pieces to be miter cut
3. The machining service number
4. The end(s) at which the machining is required and the face from which a bolt would be installed
5. The length of the extrusion from longest corner to longest corner

All other machining services have ordering notes and ordering examples on the page where the machining service is located.

Machining Services

ORDER EXAMPLE

Your project calls for 15 pieces of 1.5" x 1.5" extrusion and 5 pieces of 1.5" x 3". All 15 pieces of the 1.5" x 1.5" are cut to length and will be machined – 10 pieces @ 55" and 5 pieces @ 24.25" and all 5 pieces of the 1.5" x 3" are miter cut and counterbored – 5 pieces @ 16.35".

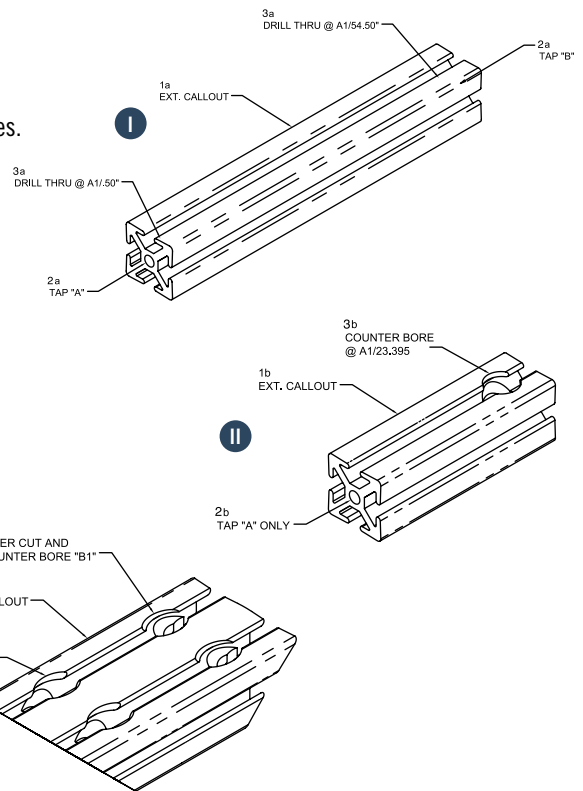
In this example there are (3) separate orders that will take place:

- I. 10 pieces of 1.5" x 1.5" @ 55"
- II. 5 pieces of 1.5" x 1.5" @ 24.25" and
- III. 5 pieces of 1.5" x 3" @ 16.35".

**At the end of your machining order, total each machining service on separate lines.
Ex. In Scenario I and II there are 15 Cut To Length charges – 660003 – 15.

The information needed to complete the above order scenario is as follows:

- I. The 10 pieces of 1.5" x 1.5" @ 55":
 - 1a. Extrusion item number or, Description pieces, length
 - 2a. Tapped
 - 3a. Drilled for access holes
- II. The 5 pieces off 1.5" x 1.5" @ 24.25":
 - 1b. Extrusion item number or Description, pieces, length
 - 2b. Tapped
 - 3b. Counterbored
- III. The 5 pieces of 1.5" x 3" @ 16.35":
 - 1c. Extrusion item number or Description, pieces, length
 - 2c. Miter cut and counterbored



Your order would look as follows:

ITEM #	QTY	MACHINING SERVICE NUMBER	LENGTH
I. (1a) 650005 (TS1515)	10	(2a) 660034 A-B (3a) 660028 A1/.75"-A1/54.25"	55"
II. (1b) 650005 (TS1515)	5	(2b) 660034 A (3b) 660057 A1/23.395"	24.25"
III. (1c) 650008 (TS1530)	5	(2c) 660056 A1-A2--B1-B2	16.35"
Machining Services Details	15	660003	
	25	660034	
	20	660028	
	5	660057	
	10	660056	

CUT TO LENGTH



ITEM #	DESCRIPTION - 10 S / 25 S
660002	Cut To Length 1010, 1010-QR / 2525, 2525-QR
660000	Cut To Length 1020 / 2550
660004	Cut To Length 2020 / 5050
660001	Cut To Length 1030 / 2575
660005	Cut To Length 2040 / 50100

ITEM #	DESCRIPTION - 15 S / 40 S
660003	Cut To Length 1515, 1515-L, 1515-QR / 4040, 4040-L, 4040-VL
660006	Cut To Length 1530, 1530-L / 4080, 4080-L, 4080-VL
660007	Cut To Length 1545
660013	Cut To Length 3030 / 8080
660008	Cut To Length 3060
660129	Miscellaneous Cut Charge

- Tolerance on cuts is +/- .015"
- Squareness of cut is .002" per inch max.

ORDERING NOTE

Cut to length requirements should be described by specifying:

1. The extrusion Item number, pieces and length
2. The number of pieces
3. The machining service number
4. The length of the extrusion.

EXAMPLE

A project required 8 pieces of 1.5"x1.5", cut to a length of 60" each.

These profiles would be ordered as follows:

ITEM #	QTY	MACHINING SERVICE NUMBER	LENGTH
650005 (TS 1515)	8		60"
	8	660003	

Machining Services

TAP PROFILE END



This machining service provides one or more tapped holes to your extrusion ends. End tap holes are required for the following fastening and accessories when using extrusion end.

- End Fastener Assembly
- Leveling Feet
- Base Plates
- Anchor Plates
- Caster Mounting Plates
- Pressure Manifold Plates
- Casters

ITEM #	# OF TAPS	DESCRIPTION - 10 S / 25 S
660035	1	1/4-20 Tap For 1010, 1010-QR
660036	1	M6 Tap For 1010, 1010-QR / 2525, 2525-QR
660025	2	1/4-20 Tap For 1020
660026	2	M6 Tap For 1020 / 2525
660037	4	1/4-20 Tap For 2020
660040	4	M6 Tap For 2020 / 5050
660016	3	1/4 Tap For 1030
660017	3	M6 Tap For 1030 / 2575
660018	4	1/4 Tap For 2040
660019	8	M6 Tap For 2040 / 50100

ITEM #	# OF TAPS	DESCRIPTION - 10 S / 40 S
660015	1	1/8 NPT Tap For 1515, 1515-L, 1515-QR / 4040, 4040-L, 4040-VL
660034	1	5/16-18 Tap For 1515, 1515-L, 1515-QR / 4040, 4040-L, 4040-VL, 2525
660033	1	M8 Tap For 1515, 1515-L, 1515-QR / 4040, 4040-L, 4040-VL, 2525
660009	1	3/8-16 Tap For 1515, 1515-L, 1515-QR / 4040, 4040-L, 4040-VL
660030	1	7/16-14 Tap For 1515, 1515-L, 1515-QR / 4040, 4040-L, 4040-VL
660024	2	5/16-18 Tap 1530 & 1530-L / 4080, 4080-L, 4080-VL, 2550
660027	2	M8 X 1.25 Tap For 1530 & 1530-L / 4080, 4080-L, 4080-VL, 2550
660010	3	5/16-18 Tap For 1545
660011	3	M8 X 1.25 Tap For 1545
660031	4	5/16-18 Tap For 3030 / 8080
660032	4	M8 X 1.25 For 3030 / 8080
660012	8	5/16-18 Tap For 3060
660014	8	M8 X 1.25 For 3060

» *Non-standard machining services are quoted by Futura Industries*

ORDERING NOTE

Profile end tapping requirements should be described by specifying:

1. The extrusion Item number or Description
2. The number of pieces
3. The machining service number
4. The end(s) at which the tapped hole is required
5. The length of the extrusion

See page 11:02 for the drawings of the extrusion ends.

EXAMPLE

You want 4 pieces of the 1.5" x 1.5" @ 30" tapped at each end for the attachment of the 5/16-18 End Fastener Assembly. This machining service would be ordered as follows:

ITEM #	QTY	MACHINING SERVICE NUMBER	LENGTH
650005 (TS1515)	4	660034 A-B	30"
	4	660003	
	8	660004	

◦ 1/4-20 Tap is standard for 10 Series

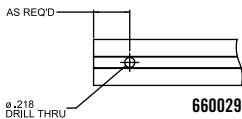
◦ 5/16-18 Tap is standard for 15 Series

DRILL ACCESS HOLE

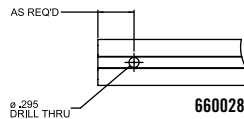


ITEM #	DESCRIPTION
660029	10 S / 25 S Single Drill Access Hole .218 thru
660028	15 S / 40 S Single Drill Access Hole .295 thru
660105	10 S Two-hole Pattern in-line on a single T-Slot .218 thru
660106	15 S Two-hole Pattern in-line on a single T-Slot .295 thru
660107	10 S Two-hole Pattern side by side on a double T-Slot .218 thru
660108	15 S Two-hole Pattern side by side on a double T-Slot .295 thru
660159	10 S 3-Hole Pattern side by side on a 10 x 30 .218 thru
660109	15 S 3-Hole Pattern side by side on a 15 x 45 .295 thru - Needs a 10 S 3 Hole
660110	10 S 4-Hole Pattern .218 thru
660111	15 S 4-Hole Pattern .295 thru

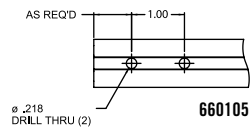
10 SERIES / 25 SERIES



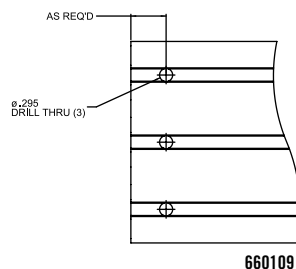
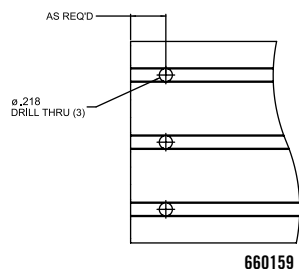
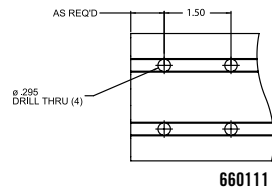
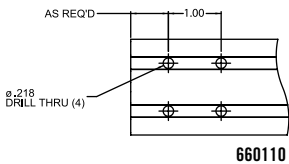
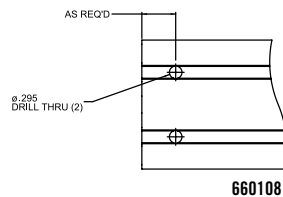
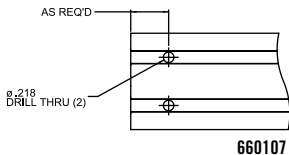
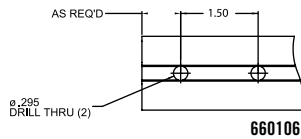
15 SERIES / 40 SERIES



10 SERIES



15 SERIES



ORDERING NOTE

Access hole requirements should be described by specifying:

1. The extrusion Item Number or Description to be machined
2. The quantity of pieces to be machined
3. The machining service number
4. The T-Slot(s) location at which the drilling is required and the distance from the end "A"
5. The length of the extrusion.

If multiple single hole drillings are required on one profile, they should be called out together with a hyphen (-) separating each drilling location callout. If different access hole drilling services are required on one profile (i.e. 1 x single hole, 1 x 4-hole pattern), they should be called out as separate line items. See page 11:02 for the correct end and T-Slot location call-outs.

EXAMPLE

You want 2 pieces of 1.5 x 1.5" @ 45" to receive a two-hole inline access hole pattern at both ends, for attachment of a length of 15 x 30. The order would look as follows:

ITEM #	QTY	MACHINING SERVICE #	LENGTH
650005 (TS 1515)	2	660106 A1/.75"-A1/44.25"	45"
	2	660003	
	4	660106	

Note that the distance specified in both cases (from the reference end of the profile) will provide a flush connection with the mating extrusion.

The 10 Series access hole is a .218 drill thru, the 15 Series access hole is a .295 drill thru that are required any time an end fastening assembly is used. The drill thru allows access for tightening the button head screw used in the fastening set.

Machining Services

ANCHOR FASTENER / BUTT FASTENING ASSEMBLY

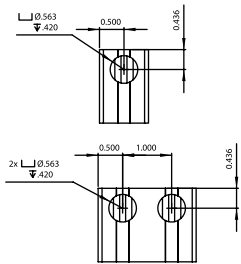


ITEM #	DESCRIPTION
660020	15 S / 40 S Anchor Fastener Counterbore
660022	10 S / 25 S Anchor Fastener Counterbore
660021	15 S / 40 S Butt Fastener Counterbore
660023	10 S / 25 S Butt Fastener Counterbore

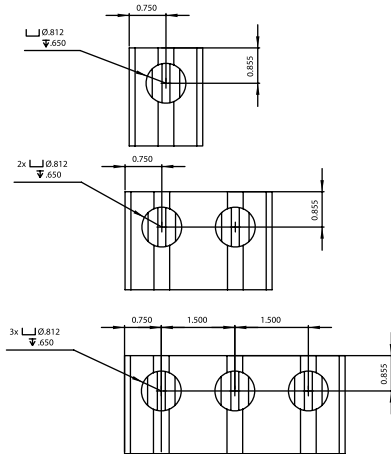
- Counterbore is needed to insert the anchor fastener assembly or butt fastener assembly
- Counterbore locations for each extrusion must be specified as shown below.

ANCHOR FASTENING

10 SERIES / 25 SERIES

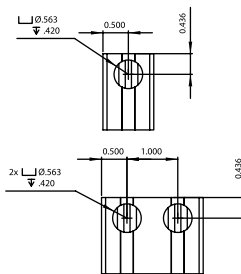


15 SERIES / 40 SERIES

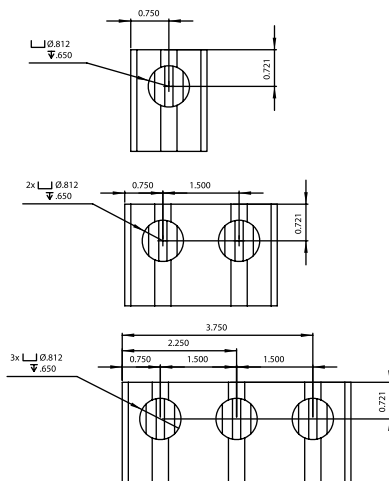


BUTT FASTENING

10 SERIES



15 SERIES



ORDERING NOTE

Counterboring requirements should be described by specifying:

1. The extrusion Item Number or Description
2. The quantity of extrusions
3. The machining service number
4. The end to be machined and the T-Slot location at which the counterbore is required
5. The length of the extrusion.

When multiple counterbores are needed on one profile, they should all be called out together, with a hyphen (-) separating each end / T-Slot location callout (see example). See page 11:02 for information regarding T-Slot location callouts.

EXAMPLE

A project requires that two lengths of profile be machined for an anchor fastener assembly. One of the lengths is the 1.5" x 1.5" @ 41" extrusion profile and requires the counterboring at one end only, in slot A1 and A3 of the profile. The other length is the 1.5" x 3" extrusion profile @ 45" that requires machining for two anchor fasteners at each end, in slot A3-A6 and B3-B6 of the profile only. The counterbore service would be ordered as follows:

ITEM #	QTY	MACHINING SERVICE #	LENGTH
650005 (TS 1515)	1	660106 A1/.75"-A1/44.25"	41"
650008 (TS 1530)	1	660020-A3-A6-B3-B6	45"
	1	660003	
	1	660006	
	6	660020	

(Counterbore machining services are priced per counterbore required.)

MITER SAW CUTS AND COUNTERBORE



Easy assembly miter cuts allow you to assemble without inserting fasteners through counterbore. The pre-assembled fastener and T-nut will slide into the mitered piece, ready to assemble.

For custom 45° support brackets and other types of brackets, a miter saw cut and counterbore machining service is required.

ITEM #	DESCRIPTION <i>(for one end)</i>
660039	Miter Cut 1010, 1010-QR / 2525
660041	Miter Cut 1020 / 2550
660042	Miter Cut 2020
660043	Miter Cut 1030
660044	Miter Cut 2040
660038	Miter Cut 1515, 1515-L, 1515-QR / 4040, 4040-L, 4040-VL
660046	Miter Cut 1530 & 1530-L / 4080, 4080-L, 4080-VL
660047	Miter Cut 1545
660054	Miter Cut 3030 / 8080
660055	Miter Cut & Counterbore 1030 / 2575

ITEM #	DESCRIPTION <i>(for both ends)</i>
660112	Easy Assembly Miter Cut & Counterbore 1010, 1010-QR / 2525
660113	Easy Assembly Miter Cut & Counterbore For 1020, 2020 / 2550
660114	Easy Assembly Miter Cut & Counterbore 1515, 1515-L, 1515-QR / 4040, 4040-L, 4040-VL
660115	Easy Assembly Miter Cut & Counterbore 1530, 1530-L, 3030 / 4080, 4080-L, 4080-VL, 8080
660116	Easy Assembly Miter Cut & Counterbore 1545
660050	Miter Cut & Counterbore 1010, 1010-QR / 2525
660053	Miter Cut & Counterbore 1020, 2020 / 2550
660049	Miter Cut & Counterbore 1515, 1515-L, 1515-QR / 4040, 4040-L, 4040-VL
660056	Miter Cut & Counterbore 1530, 1530-L, 3030 / 4080, 4080-L, 4080-VL, 8080
660058	Miter Cut & Counterbore 1545

ORDERING NOTE

Miter cut and counterbore requirements should be described by specifying:

1. The extrusion Item number or Description
2. The quantity of extrusions to be machined
3. The machining service number
4. The end at which the machining is required and the face from which a bolt would be installed into the counterbore.

Also, indicate the length of the finished profile from longest corner to longest corner. To specify the correct face on a 15 x 30 extrusion profile (where there are multiple T-Slots), specify only one of the T-Slot locations on that face. See page 11:02 for information on the correct end and T-Slot callouts.

EXAMPLE - Miter Cut:

Two custom support brackets are required for your project, but you plan on counterboring the part yourself. You will use 15 x 30 extrusions that are 15" long from corner to corner. The machining service would look as follows:

ITEM #	QTY	MACHINING SERVICE #	LENGTH
650008	2	660046 A1-B1	15"

Machining Services

MITER SAW CUTS AND COUNTERBORE *(continued)*



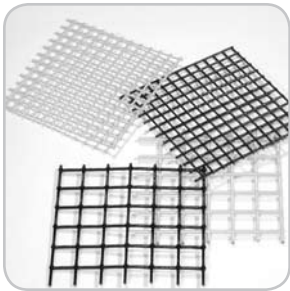
EXAMPLE - Miter Cut & Counterbore:

A custom support bracket is required for your project. The 15 x 30 extrusion must be 20" long from corner to corner and must be machined from the same face at both ends. The machining service would look as follows:

ITEM #	QTY	MACHINING SERVICE #	LENGTH
650008	2	660046 A1-B1	15"

» *For Standard Miter Cut Extrusions see page 06:24. Otherwise, miter cut services should be per supplied drawing.*

PANELS AND WIRE MESH - CUT TO SIZE



ITEM #	DESCRIPTION
660062	Cutting Plastic Panels Any Side ≤ 48"
660063	Cutting Plastic Panels Any Side > 48"
660060	Shearing Expanded Metal Or Wire Any Side ≤ 48"
660061	Shearing Expanded Metal Or Wire Any Side > 48"

ORDERING NOTE

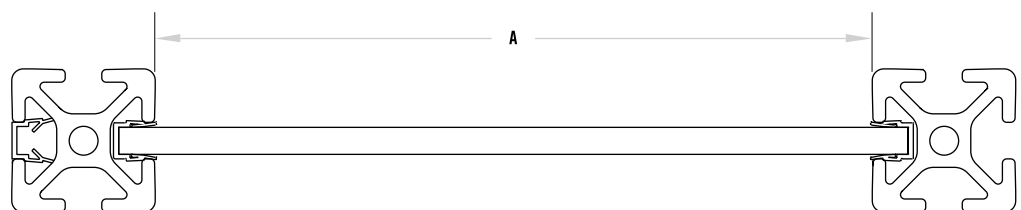
Panel saw cut requirements should be described by specifying the type of panel required and the size required in inches. Pricing is calculated on a square foot basis. The cutting charges will appear as a separate line item.

EXAMPLE

A machine guard project requires 3 clear Lexan® panels, Item number 655433, cut to a size of 4' x 3'. This panel would be ordered as follows:

ITEM #	QTY	MACHINING SERVICE #	PANEL SIZE
655433	3	660062 4' x 3'	36 sq. feet

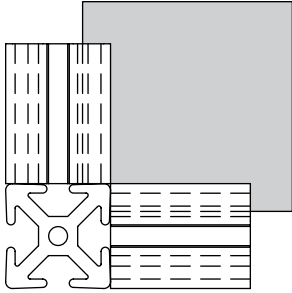
» *A cut to size machining service is available for polycarbonate panels, expanded PVC panels and wire mesh.*



15 SERIES / 40 SERIES
TO CALCULATE HEIGHT,
ADD .75" TO "A"

10 SERIES / 25 SERIES
TO CALCULATE HEIGHT,
ADD .50" TO "A"

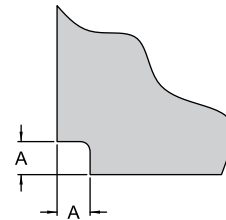
NOTCH PANEL FOR EXTRUSION CLEARANCE



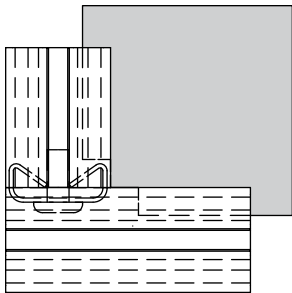
ITEM #	DESCRIPTION
660098	Notch Plastic Corner For 10 Series / 25 Series Extrusion Clearance / Notch
660099	Notch Plastic Corner For 15 Series / 40 Series Extrusion Clearance / Notch

Panel notching gives clearance for perpendicularly mounted extrusions. This machining service is only needed when panels are installed in TSLOTS.

DIMENSIONS	A
10/25 SERIES	.312
15/40 SERIES	.440



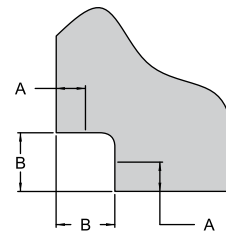
NOTCH PANEL FOR END FASTENER CLEARANCE



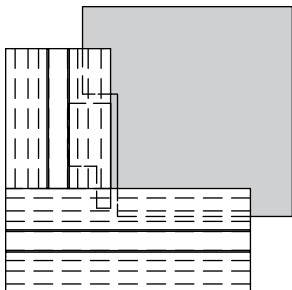
ITEM #	DESCRIPTION
660096	Notch Plastic For End Fastener 10 Series / 25 Series
660097	Notch Plastic For End Fastener 15 Series / 40 Series

Panel notching gives clearance for end fastener. This machining service is only needed when panels are installed in TSLOTS.

DIMENSIONS	A	B
10/25 SERIES	.250	.650
15/40 SERIES	.340	.650



NOTCH PANEL FOR ANCHOR FASTENER CLEARANCE

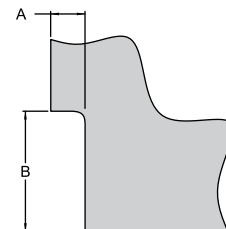


ITEM #	DESCRIPTION
660088	Anchor Fastener Notch For 10 Series / 25 Series
660089	Anchor Fastener Notch For 15 Series / 40 Series

Panel notching gives clearance for anchor fastener. This machining service is only needed when panels are installed in TSLOTS.

DIMENSIONS	A	B
10/25 SERIES	.375	1.063
15/40 SERIES	.500	1.750

Panel should be installed after the anchor fastener is tightened.



Machining Services

DELUXE DOOR HANDLE MILLING SERVICE



ITEM #	DESCRIPTION
660086	Deluxe Door Handle Milling Service

ORDERING NOTE

When ordering this service, specify the extrusion to be used and the distance from the end of the extrusion where the milling should take place. See page 11:07 for correct T-Slot call-out.

EXAMPLE

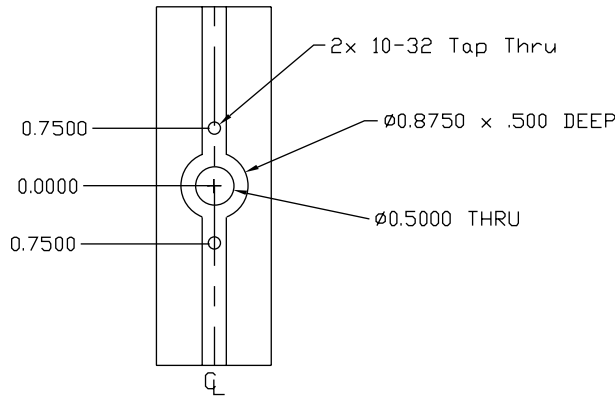
A project requires that a deluxe door handle be used on a 15 x 15 extrusion. The door handle will be 8" from side "A" in T-Slot 4. The machining service would look as follows:

ITEM #	QTY	MACHINING SERVICE #	LENGTH
650005 (TS1515)	1	660086 A4/8"	24"

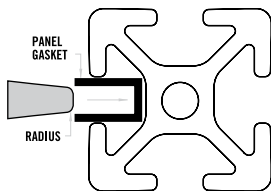
◦ Milling the extrusion allows the deluxe door handle to be mounted to the T-SLOTS extrusion.

◦ Please specify distance from end to handle center.

» For 15 Series only.



EDGE RADIUS FOR PLASTIC PANELS





ITEM #	DESCRIPTION
660094	Edge Radius 3/16" or 1/4" Plastic Panels all sides < 48"
660095	Edge Radius 3/16" or 1/4" Plastic Panels any side > 48"

◦ Round off sharp edges of highly visible panels.

◦ Allows for easy insertion of panels into panel gasket, on page 06:13.

» See page 06:20 for Plastic Panels.

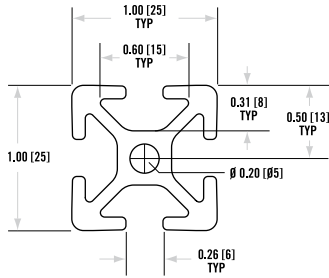
12 | METRIC

The metric section includes extrusions, fasteners, brackets and many hardware options for the 25mm and 40mm TLOTS extrusions. For all hardware options go to Section 06 and look for the  and  icons. All machining options can be found in Section 11.

Metric

TS25-25M [metric]

Item Number: **650025**

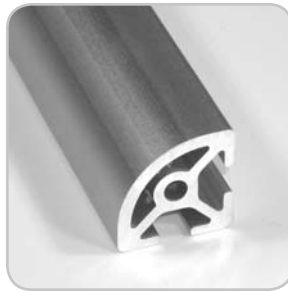
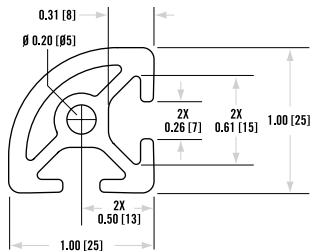


SPECIFICATIONS

Length	20' (6 m)
Weight	0.548 lbs/ft (0.816 kg/m)
Estimated Area	0.457 in ² (2.948 cm ²)
Moment of Inertia	lx=0.046 in ⁴ (1.915 cm ⁴) ly=0.046 in ⁴ (1.915 cm ⁴)

TS25-25MQR [metric]

Item Number: **650027**

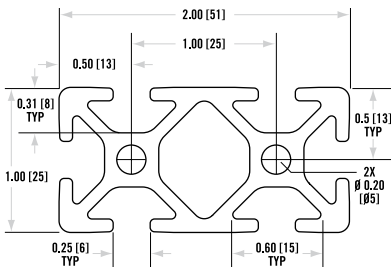


SPECIFICATIONS

Length	20' (6 m)
Weight	0.567 lbs/ft (.844 kg/m)
Estimated Area	0.4727 in ² (3.05 cm ²)
Moment of Inertia	lx=.0435 in ⁴ (1.81 cm ⁴) ly=.0435 in ⁴ (1.81 cm ⁴)

TS25-50M [metric]

Item Number: **650026**

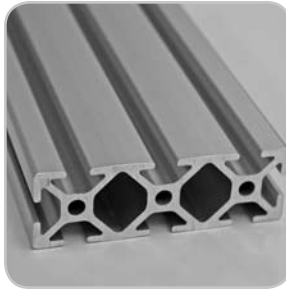
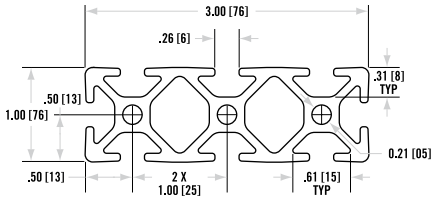


SPECIFICATIONS

Length	20' (6 m)
Weight	0.989 lbs/ft (1.472 kg/m)
Estimated Area	0.824 in ² (5.316 cm ²)
Moment of Inertia	lx=.087 in ⁴ (3.621 cm ⁴) ly=.321 in ⁴ (13.361 cm ⁴)

TS25-75M [metric]

Item Number: **650024**

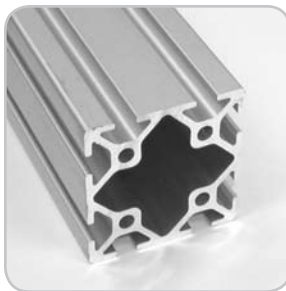
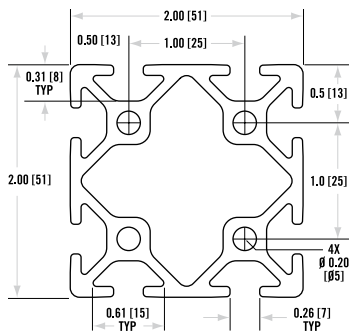


SPECIFICATIONS

Length	20' (6 m)
Weight	1.403 lbs/ft (2.087 kg/m)
Estimated Area	1.169 in ² (7.806 cm ²)
Moment of Inertia	I _x =.125 in ⁴ (5.202 cm ⁴)
	I _y =.986 in ⁴ (41.040 cm ⁴)

TS50-50M [metric]

Item Number: **650028**

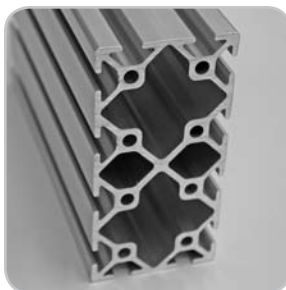
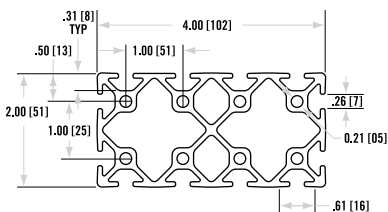


SPECIFICATIONS

Length	20' (6 m)
Weight	1.542 lbs/ft (2.295 kg/m)
Estimated Area	1.285 in ² (8.290 cm ²)
Moment of Inertia	I _x =.578 in ⁴ (24.058 cm ⁴)
	I _y =.578 in ⁴ (24.058 cm ⁴)

TS50-100M [metric]

Item Number: **650029**



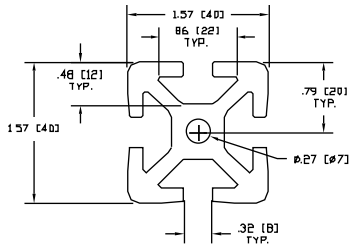
SPECIFICATIONS

Length	20' (6 m)
Weight	2.820 lbs/ft (4.195 kg/m)
Estimated Area	2.350 in ² (15.157 cm ²)
Moment of Inertia	I _x =1.075 in ⁴ (44.744 cm ⁴)
	I _y =3.656 in ⁴ (152.174 cm ⁴)

Metric

TS40-40M [metric]

Item Number: **650032**

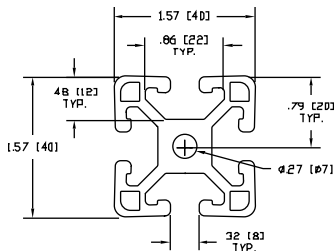


SPECIFICATIONS

Length	20' (6 m)
Weight	1.628 lbs/ft (2.423 kg/m)
Estimated Area	1.357 in ² (8.755 cm ²)
Moment of Inertia	I _x =.324 in ⁴ (13.486 cm ⁴) I _y =.324 in ⁴ (13.486 cm ⁴)

TS40-40LM [metric]

Item Number: **650033**

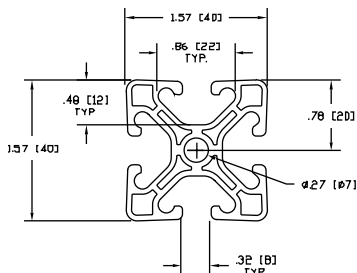


SPECIFICATIONS

Length	20' (6 m)
Weight	1.260 lbs/ft (1.875 kg/m)
Estimated Area	1.050 in ² (6.774 cm ²)
Moment of Inertia	I _x =.236 in ⁴ (9.823 cm ⁴) I _y =.236 in ⁴ (9.823 cm ⁴)

TS40-40VLM [metric]

Item Number: **650034**

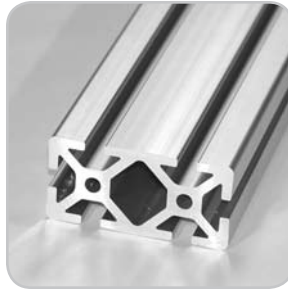
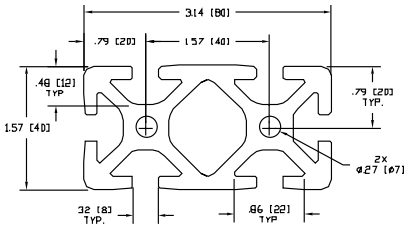


SPECIFICATIONS

Length	20' (6 m)
Weight	1.003 lbs/ft (1.445 kg/m)
Estimated Area	0.836 in ² (5.394 cm ²)
Moment of Inertia	I _x =.1972 in ⁴ (8.21 cm ⁴) I _y =.1972 in ⁴ (8.21 cm ⁴)

TS40-80M [metric]

Item Number: **650036**

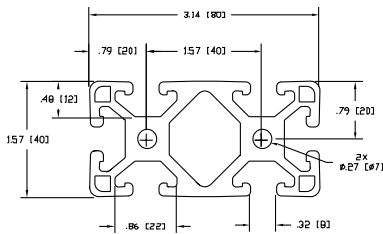


SPECIFICATIONS

Length	20' (6 m)
Weight	2.908 lbs/ft (4.329 kg/m)
Estimated Area	2.423 in ² (15.632 cm ²)
Moment of Inertia	I _x =.621 in ⁴ (25.848 cm ⁴) I _y =2.271 in ⁴ (94.526 cm ⁴)

TS40-80LM [metric]

Item Number: **650037**

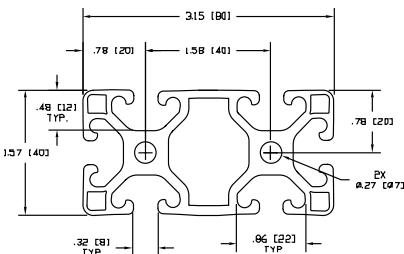


SPECIFICATIONS

Length	20' (6 m)
Weight	2.423 lbs/ft (3.609 kg/m)
Estimated Area	2.021 in ² (12.981 cm ²)
Moment of Inertia	I _x =.495 in ⁴ (20.603 cm ⁴) I _y =1.761 in ⁴ (73.298 cm ⁴)

TS40-80VLM [metric]

Item Number: **650038**



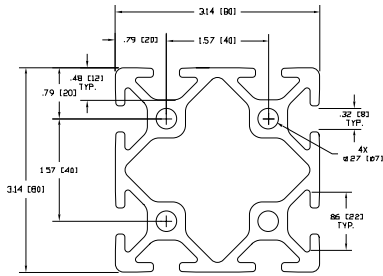
SPECIFICATIONS

Length	20' (6 m)
Weight	1.993 lbs/ft (2.966 kg/m)
Estimated Area	1.661 in ² (10.716 cm ²)
Moment of Inertia	I _x =.396 in ⁴ (16.48 cm ⁴) I _y =1.513 in ⁴ (62.98 cm ⁴)

Metric

TS80-80M [metric]

Item Number: **650039**

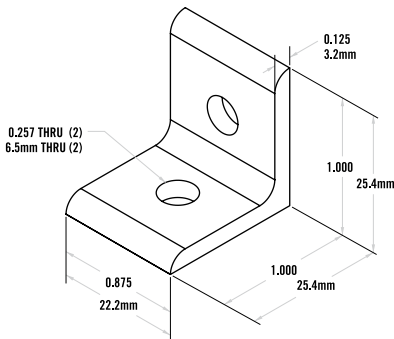


SPECIFICATIONS

Length	20' (6 m)
Weight	4.807 lbs/ft (7.154 kg/m)
Estimated Area	4.006 in ² (25.845 cm ²)
Moment of Inertia	I _x =4.289 in ⁴ (178.522 cm ⁴) I _y =4.289 in ⁴ (178.522 cm ⁴)

25 SERIES - 1/8" 2 Hole Inside Corner Bracket

Item Number: **653047**

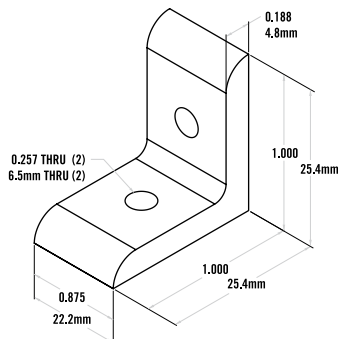


RECOMMENDED FASTENERS

QTY	DESCRIPTION	PART#
2	M6 x 10mm BHSCS & Economy T-Nut	651536
2	1/4 - 20 x 3/8" FBHSCS & Economy T-Nut	651166

25 SERIES - 3/16" 2 Hole Inside Corner Bracket

Item Number: **653056**



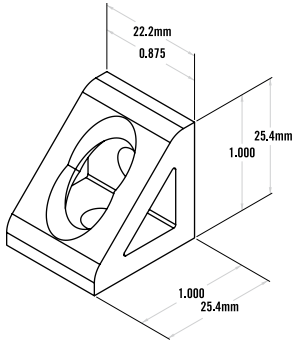
RECOMMENDED FASTENERS

QTY	DESCRIPTION	PART#
2	M6 x 12mm BHSCS & Economy T-Nut	651503
2	1/4 - 20 x 1/2" BHSCS & Economy T-Nut	651171

12:06

25 SERIES - 2 Hole Inside Corner Gusset

Item Number: **653069**

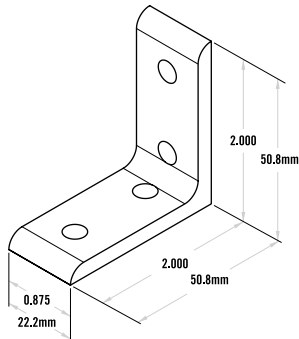


RECOMMENDED FASTENERS

QTY	DESCRIPTION	PART#
2	M6 x 12mm BHSCS & Economy T-Nut	651503
2	1/4 - 20 x 1/2" BHSCS & Economy T-Nut	651171

25 SERIES - 4 Hole Inside Corner Bracket

Item Number: **653052**

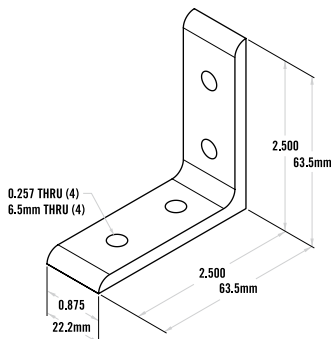


RECOMMENDED FASTENERS

QTY	DESCRIPTION	PART#
4	M6 x 12mm BHSCS & Economy T-Nut	651503
or 2	M6 x 12mm BHSCS & Double Economy T-Nut	651519
4	1/4 - 20 x 1/2" BHSCS & Economy T-Nut	651171
or 2	1/4 - 20 x 1/2" BHSCS & Double Economy T-Nut	651490

25 SERIES - 4 Hole Inside Corner Bracket

Item Number: **653045**



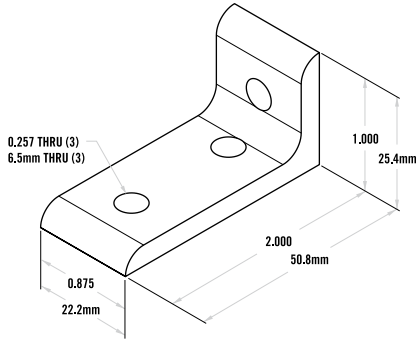
RECOMMENDED FASTENERS

QTY	DESCRIPTION	PART#
4	M6 x 12mm BHSCS & Economy T-Nut	651503
or 2	M6 x 12mm BHSCS & Double Economy T-Nut	651519
4	1/4 - 20 x 1/2" FBHSCS & Economy T-Nut	651130
or 2	1/4 - 20 x 1/2" FBHSCS & Double Economy T-Nut	651142

Metric

25 SERIES - 3 Hole Inside Corner Bracket

Item Number: **653107**

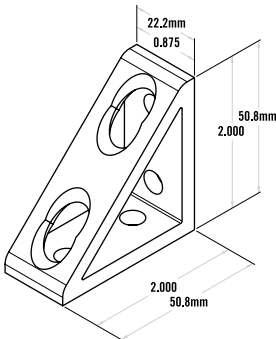


RECOMMENDED FASTENERS

QTY	DESCRIPTION	PART#
3	M6 x 12mm BHSCS & Economy T-Nut	651503
or 1	M6 x 12mm BHSCS & Double Economy T-Nut	651519
& 1	M6 x 12mm BHSCS & Economy T-Nut	651503
3	1/4-20 x 1/2" BHSCS & Economy T-Nut	651171
or 1	1/4-20 x 1/2" BHSCS & Double Economy T-Nut	651490
& 1	1/4-20 x 1/2" BHSCS & Economy T-Nut	651171

25 SERIES - 4 Hole Inside Corner Gusset

Item Number: **653073**

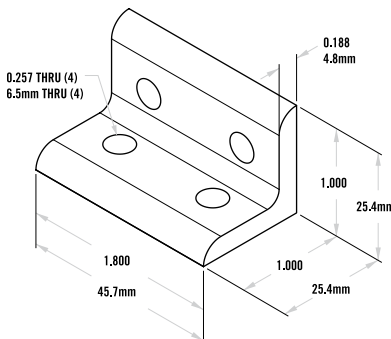


RECOMMENDED FASTENERS

QTY	DESCRIPTION	PART#
4	M6 x 12mm BHSCS & Economy T-Nut	651503
or 2	M6 x 12mm BHSCS & Double Economy T-Nut	651519
4	1/4-20 x 1/2" BHSCS & Economy T-Nut	651171
or 2	1/4-20 x 1/2" BHSCS & Double Economy T-Nut	651490

25 SERIES - 4 Hole Inside Corner Bracket

Item Number: **653050**

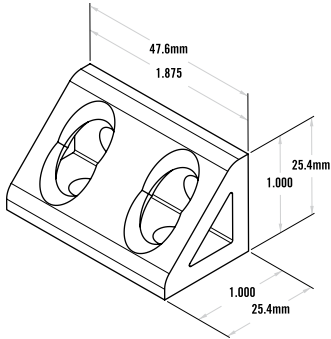


RECOMMENDED FASTENERS

QTY	DESCRIPTION	PART#
4	M6 x 12mm BHSCS & Economy T-Nut	651503
or 2	M6 x 12mm BHSCS & Double Economy T-Nut	651519
4	1/4-20 x 1/2" BHSCS & Economy T-Nut	651171
or 2	1/4-20 x 1/2" BHSCS & Double Economy T-Nut	651490

25 SERIES - 4 Hole Inside Corner Gusset

Item Number: **653071**

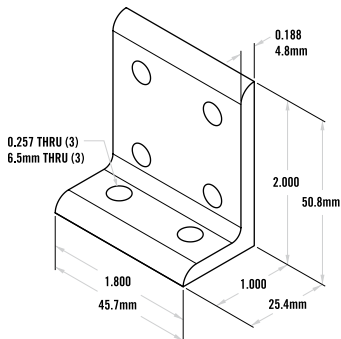


RECOMMENDED FASTENERS

QTY	DESCRIPTION	PART#
4	M6 x 12mm BHSCS & Economy T-Nut	651503
or 2	M6 x 12mm BHSCS & Double Economy T-Nut	651519
4	1/4-20 x 1/2" BHSCS & Economy T-Nut	651171
or 2	1/4-20 x 1/2" BHSCS & Double Economy T-Nut	651490

25 SERIES - 6 Hole Inside Corner Bracket

Item Number: **653106**

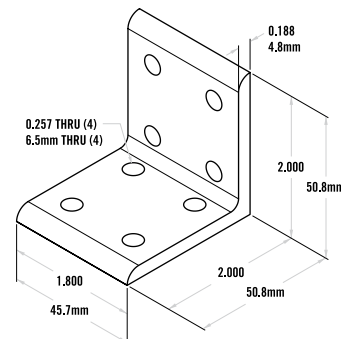


RECOMMENDED FASTENERS

QTY	DESCRIPTION	PART#
6	M6 x 12mm BHSCS & Economy T-Nut	651503
or 2	M6 x 12mm BHSCS & Double Economy T-Nut	651519
& 2	M6 x 12mm BHSCS & Economy T-Nut	651503
6	1/4 - 20 x 1/2" BHSCS & Economy T-Nut	651171
or 2	1/4 - 20 x 1/2" BHSCS & Double Economy T-Nut	651490
& 2	1/4 - 20 x 1/2" BHSCS & Economy T-Nut	651171

25 SERIES - 8 Hole Inside Corner Bracket

Item Number: **653051**



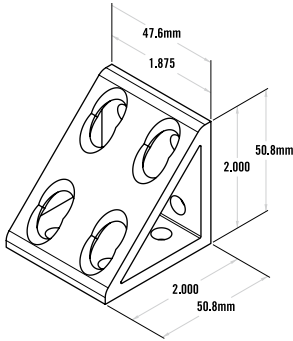
RECOMMENDED FASTENERS

QTY	DESCRIPTION	PART#
4	M6 x 12mm BHSCS & Economy T-Nut	651503
or 2	M6 x 12mm BHSCS & Double Economy T-Nut	651519
4	1/4-20 x 1/2" BHSCS & Economy T-Nut	651171
or 2	1/4-20 x 1/2" BHSCS & Double Economy T-Nut	651490

Metric

25 SERIES - 8 Hole Inside Corner Gusset

Item Number: **653075**

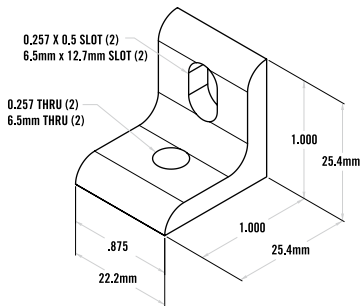


RECOMMENDED FASTENERS

QTY	DESCRIPTION	PART#
4	M6 x 12mm BHSCS & Economy T-Nut	651503
or 2	M6 x 12mm BHSCS & Double Economy T-Nut	651519
4	1/4-20 x 1/2" BHSCS & Economy T-Nut	651171
or 2	1/4-20 x 1/2" BHSCS & Double Economy T-Nut	651490

25 SERIES - 2 Hole Slotted Corner Bracket

Item Number: **653126**

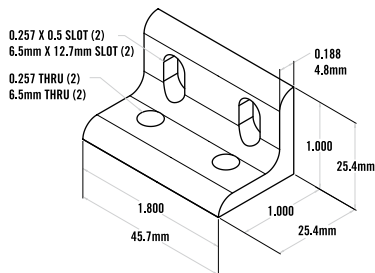


RECOMMENDED FASTENERS

QTY	DESCRIPTION	PART#
2	M6 x 12mm BHSCS & Economy T-Nut	651503
2	1/4-20 x 1/2" BHSCS & Economy T-Nut	651171

25 SERIES - 4 Hole Slotted Corner Bracket

Item Number: **653125**

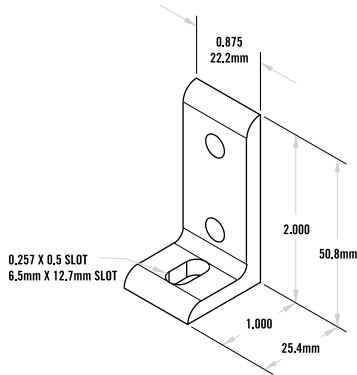


RECOMMENDED FASTENERS

QTY	DESCRIPTION	PART#
4	M6 x 12mm BHSCS & Economy T-Nut	651503
4	1/4-20 x 1/2" BHSCS & Economy T-Nut	651171

25 SERIES – 3 Hole Slotted Corner Bracket

Item Number: **653123**

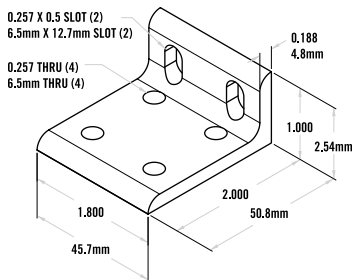


RECOMMENDED FASTENERS

QTY	DESCRIPTION	PART#
3	M6 x 12mm BHSCS & Economy T-Nut	651503
or 1	M6 x 12mm BHSCS & Double Economy T-Nut	651519
& 1	M6 x 12mm BHSCS & Economy T-Nut	651503
3	1/4-20 x 1/2" BHSCS & Economy T-Nut	651171
or 1	1/4-20 x 1/2" BHSCS & Double Economy T-Nut	651490
& 1	1/4-20 x 1/2" BHSCS & Economy T-Nut	651171

25 SERIES - 6 Hole Slotted Inside Corner Bracket

Item Number: **653131**

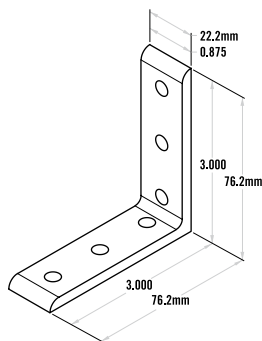


RECOMMENDED FASTENERS

QTY	DESCRIPTION	PART#
6	M6 x 12mm BHSCS & Economy T-Nut	651503
or 2	M6 x 12mm BHSCS & Double Economy T-Nut	651519
& 2	M6 x 12mm BHSCS & Economy T-Nut	651503
6	1/4-20 x 1/2" BHSCS & Economy T-Nut	651171
or 2	1/4-20 x 1/2" BHSCS & Double Economy T-Nut	651490
& 2	1/4-20 x 1/2" BHSCS & Economy T-Nut	651171

25 SERIES - 6 Hole Inside Corner Bracket

Item Number: **653012**



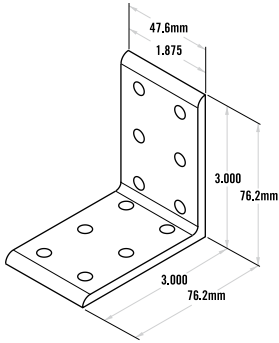
RECOMMENDED FASTENERS

QTY	DESCRIPTION	PART#
6	M6 x 12mm BHSCS & Economy T-Nut	651503
or 2	M6 x 12mm BHSCS & Double Economy T-Nut	651519
& 2	M6 x 12mm BHSCS & Economy T-Nut	651503
6	1/4-20 x 1/2" BHSCS & Economy T-Nut	651171
2	1/4 - 20 x 1/2" FBHSCS & Triple Economy T-Nut	651144

Metric

25 SERIES - 12 Hole Inside Corner Bracket

Item Number: **653013**

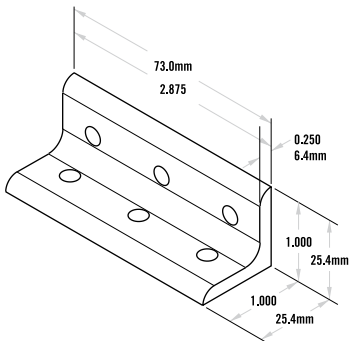


RECOMMENDED FASTENERS

QTY	DESCRIPTION	PART#
12	M6 x 12mm BHSCS & Economy T-Nut	651503
or 4	M6 x 12mm BHSCS & Double Economy T-Nut	651519
& 4	M6 x 12mm BHSCS & Economy T-Nut	651503
12	1/4-20 x 1/2" BHSCS & Economy T-Nut	651171
4	1/4 - 20 x 1/2" FBHSCS & Triple Economy T-Nut	651144

25 SERIES - 6 Hole Inside Corner Bracket

Item Number: **653014**

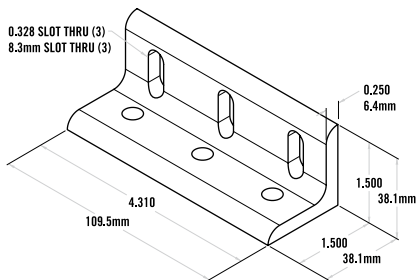


RECOMMENDED FASTENERS

QTY	DESCRIPTION	PART#
2	M6 x 12mm BHSCS & Economy T-Nut	651503
6	1/4-20 x 1/2" FBHSCS & Economy T-Nut	651171

25 SERIES - 6 Hole Slotted Corner Bracket

Item Number: **653127**

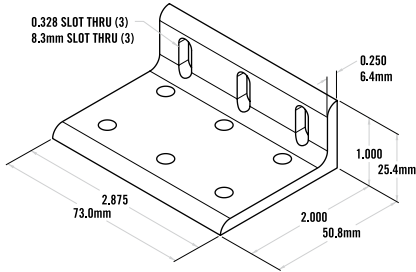


RECOMMENDED FASTENERS

QTY	DESCRIPTION	PART#
4	M6 x 12mm BHSCS & Economy T-Nut	651503
6	1/4-20 x 1/2" FBHSCS & Economy T-Nut	651171

25 SERIES – 9 Hole Slotted Corner Bracket

Item Number: **653124**

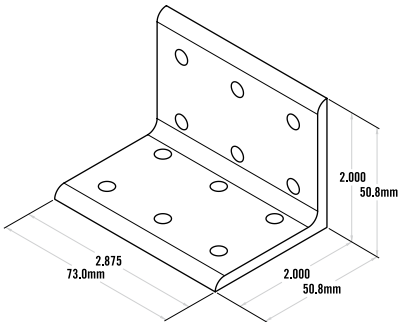


RECOMMENDED FASTENERS

QTY	DESCRIPTION	PART#
9	M6 x 12mm BHSCS & Economy T-Nut	651503
or 3	M6 x 12mm BHSCS & Double Economy T-Nut	651519
& 3	M6 x 12mm BHSCS & Economy T-Nut	651503
9	1/4-20 x 1/2" BHSCS & Economy T-Nut	651171
or 3	1/4-20 x 1/2" BHSCS & Double Economy T-Nut	651490
& 3	1/4-20 x 1/2" BHSCS & Economy T-Nut	651171

25 SERIES - 12 Hole Inside Corner Bracket

Item Number: **653015**

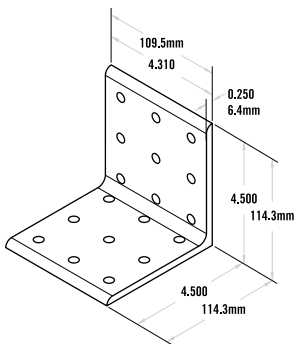


RECOMMENDED FASTENERS

QTY	DESCRIPTION	PART#
12	M6 x 12mm BHSCS & Economy T-Nut	651503
or 6	M6 x 12mm BHSCS & Double Economy T-Nut	651519
12	1/4-20 x 1/2" BHSCS & Economy T-Nut	651171
or 6	1/4-20 x 1/2" BHSCS & Double Economy T-Nut	651490

25 SERIES - 18 Hole Inside Corner Bracket

Item Number: **653016**



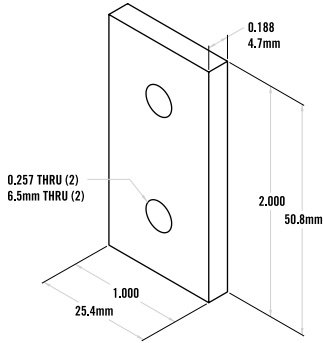
RECOMMENDED FASTENERS

QTY	DESCRIPTION	PART#
18	M6 x 12mm BHSCS & Economy T-Nut	651503
18	1/4-20 x 1/2" FBHSCS & Economy T-Nut	651171
or 6	1/4 - 20 x 1/2" FBHSCS & Triple Economy T-Nut	651144

Metric

25 SERIES - 2 Hole Inside Corner Bracket

Item Number: **653046**

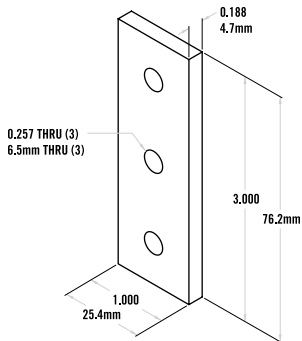


RECOMMENDED FASTENERS

QTY	DESCRIPTION	PART#
2	M6 x 12mm BHSCS & Economy T-Nut	651503
or 1	M6 x 12mm BHSCS & Double Economy T-Nut	651519
2	1/4-20 x 1/2" FBHSCS & Economy T-Nut	651130
or 1	1/4-20 x 1/2" FBHSCS & Double Economy T-Nut	651142

25 SERIES - 3 Hole Joining Strip

Item Number: **653055**

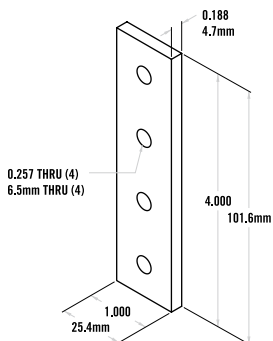


RECOMMENDED FASTENERS

QTY	DESCRIPTION	PART#
3	M6 x 12mm BHSCS & Economy T-Nut	651503
or 1	M6 x 12mm BHSCS & Double Economy T-Nut	651519
& 1	M6 x 12mm BHSCS & Economy T-Nut	651503
3	1/4-20 x 1/2" FBHSCS & Economy T-Nut	651130
or 1	1/4-20 x 1/2" FBHSCS & Double Economy T-Nut	651142
& 1	1/4-20 x 1/2" FBHSCS & Economy T-Nut	651130

25 SERIES - 4 Hole Joining Strip

Item Number: **653054**

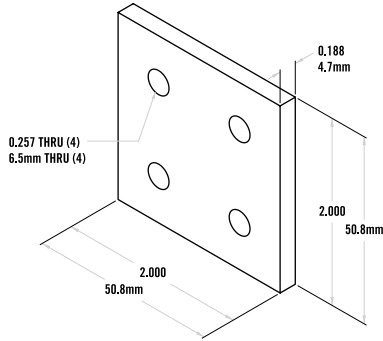


RECOMMENDED FASTENERS

QTY	DESCRIPTION	PART#
4	M6 x 12mm BHSCS & Economy T-Nut	651503
or 2	M6 x 12mm BHSCS & Double Economy T-Nut	651519
4	1/4 - 20 x 1/2" FBHSCS & Economy T-Nut	651130
or 2	1/4 - 20 x 1/2" FBHSCS & Double Economy T-Nut	651142

25 SERIES – 4 Hole Joining Plate

Item Number: **653100**

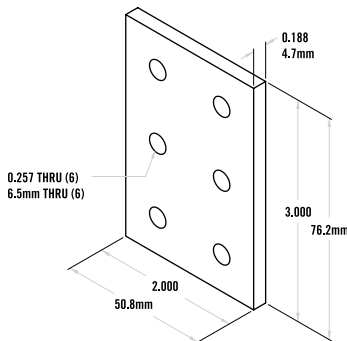


RECOMMENDED FASTENERS

QTY	DESCRIPTION	PART#
4	M6 x 12mm BHSCS & Economy T-Nut	651503
or 2	M6 x 12mm BHSCS & Double Economy T-Nut	651519
4	1/4 - 20 x 1/2" FBHSCS & Economy T-Nut	651130
or 2	1/4 - 20 x 1/2" FBHSCS & Double Economy T-Nut	651142

25 SERIES - 6 Hole Joining Plate

Item Number: **653099**

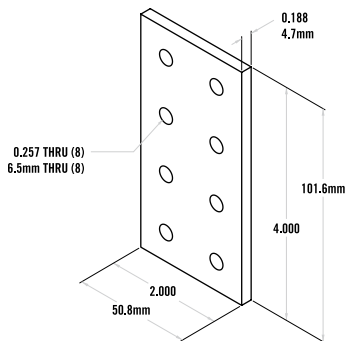


RECOMMENDED FASTENERS

QTY	DESCRIPTION	PART#
6	M6 x 12mm BHSCS & Economy T-Nut	651503
6	1/4-20 x 1/2" FBHSCS & Economy T-Nut	651130
or 2	1/4 - 20 x 1/2" FBHSCS & Triple Economy T-Nut	651144

25 SERIES - 8 Hole Joining Plate

Item Number: **653098**



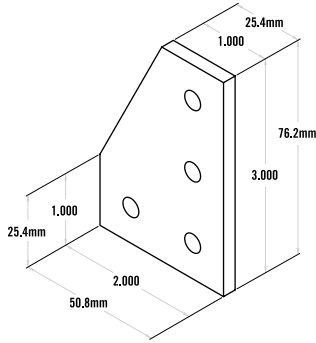
RECOMMENDED FASTENERS

QTY	DESCRIPTION	PART#
4	M6 x 12mm BHSCS & Economy T-Nut	651503
or 2	M6 x 12mm BHSCS & Double Economy T-Nut	651519
4	1/4 - 20 x 1/2" FBHSCS & Economy T-Nut	651130
or 2	1/4 - 20 x 1/2" FBHSCS & Double Economy T-Nut	651142

Metric

25 SERIES - 4 Hole 90° Joining Plate

Item Number: **653084**

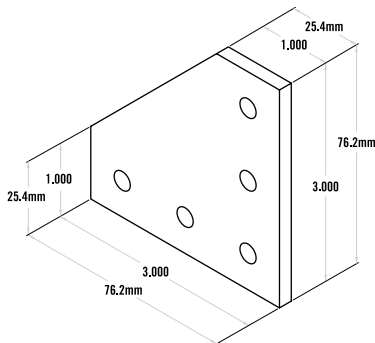


RECOMMENDED FASTENERS

QTY	DESCRIPTION	PART#
4	M6 x 12mm BHSCS & Economy T-Nut	651503
or 2	M6 x 12mm BHSCS & Double Economy T-Nut	651519
4	1/4 - 20 x 1/2" FBHSCS & Economy T-Nut	651130
or 2	1/4 - 20 x 1/2" FBHSCS & Double Economy T-Nut	651142

25 SERIES - 5 Hole 90° Joining Plate

Item Number: **653085**

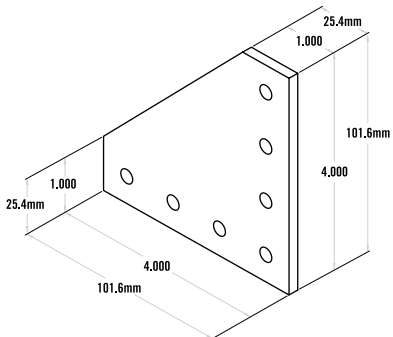


RECOMMENDED FASTENERS

QTY	DESCRIPTION	PART#
5	M6 x 12mm BHSCS & Economy T-Nut	651503
or 2	M6 x 12mm BHSCS & Double Economy T-Nut	651519
& 1	M6 x 12mm BHSCS & Economy T-Nut	651503
5	1/4-20 x 1/2" FBHSCS & Economy T-Nut	651130
or 1	1/4-20 x 1/2" FBHSCS & Double Economy T-Nut	651142
& 1	1/4-20 x 1/2" FBHSCS & Triple Economy T-Nut	651144

25 SERIES - 7 Hole 90° Joining Plate

Item Number: **653086**

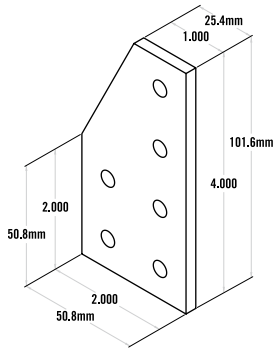


RECOMMENDED FASTENERS

QTY	DESCRIPTION	PART#
7	M6 x 12mm BHSCS & Economy T-Nut	651503
or 3	M6 x 12mm BHSCS & Double Economy T-Nut	651519
& 1	M6 x 12mm BHSCS & Economy T-Nut	651503
7	1/4-20 x 1/2" FBHSCS & Economy T-Nut	651130
or 2	1/4-20 x 1/2" FBHSCS & Triple Economy T-Nut	651144
& 1	1/4-20 x 1/2" FBHSCS & Economy T-Nut	651130

25 SERIES – 6 Hole 90° Joining Plate

Item Number: **653057**

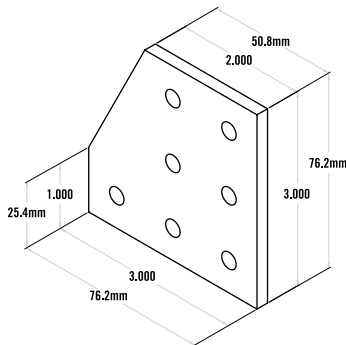


RECOMMENDED FASTENERS

QTY	DESCRIPTION	PART#
6	M6 x 12mm BHSCS & Economy T-Nut	651503
or 3	M6 x 12mm BHSCS & Double Economy T-Nut	651519
6	1/4-20 x 1/2" FBHSCS & Economy T-Nut	651130
or 3	1/4-20 x 1/2" FBHSCS & Double Economy T-Nut	651142

25 SERIES - 7 Hole 90° Joining Plate

Item Number: **653066**

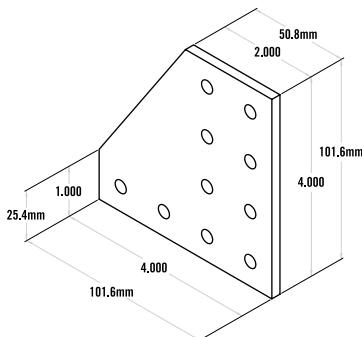


RECOMMENDED FASTENERS

QTY	DESCRIPTION	PART#
7	M6 x 12mm BHSCS & Economy T-Nut	651503
or 3	M6 x 12mm BHSCS & Double Economy T-Nut	651519
& 1	M6 x 12mm BHSCS & Economy T-Nut	651503
7	1/4-20 x 1/2" FBHSCS & Economy T-Nut	651130
or 2	1/4-20 x 1/2" FBHSCS & Double Economy T-Nut	651142
& 1	1/4-20 x 1/2" FBHSCS & Triple Economy T-Nut	651144

25 SERIES - 10 Hole 90° Joining Plate

Item Number: **653064**



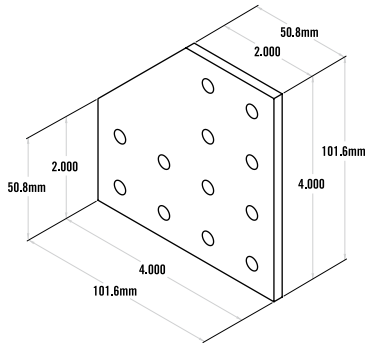
RECOMMENDED FASTENERS

QTY	DESCRIPTION	PART#
10	M6 x 12mm BHSCS & Economy T-Nut	651503
10	1/4 - 20 x 1/2" FBHSCS & Economy T-Nut	651130
or 2	1/4 - 20 x 1/2" FBHSCS & Double Economy T-Nut	651142
& 2	1/4 - 20 x 1/2" FBHSCS & Triple Economy T-Nut	651144

Metric

25 SERIES - 12 Hole 90° Joining Plate

Item Number: **653065**

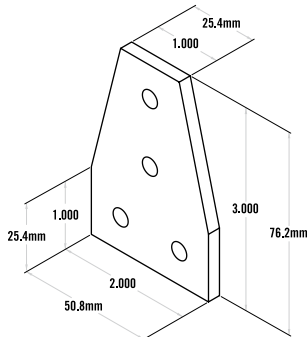


RECOMMENDED FASTENERS

QTY	DESCRIPTION	PART#
12	M6 x 12mm BHSCS & Economy T-Nut	651503
or 6	M6 x 12mm BHSCS & Double Economy T-Nut	651519
12	1/4 - 20 x 1/2" FBHSCS & Economy T-Nut	651130
or 6	1/4 - 20 x 1/2" FBHSCS & Double Economy T-Nut	651142

25 SERIES - 4 Hole Joining Plate

Item Number: **653078**

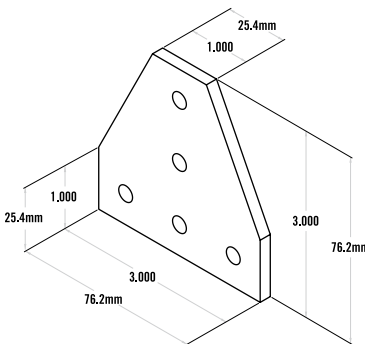


RECOMMENDED FASTENERS

QTY	DESCRIPTION	PART#
4	M6 x 12mm BHSCS & Economy T-Nut	651503
or 2	M6 x 12mm BHSCS & Double Economy T-Nut	651519
4	1/4-20 x 1/2" FBHSCS & Economy T-Nut	651130
or 2	1/4-20 x 1/2" FBHSCS & Double Economy T-Nut	651142

25 SERIES - 5 Hole Tee Joining Plate

Item Number: **653077**

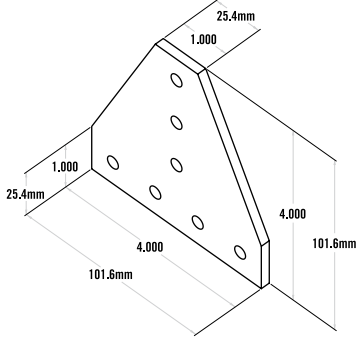


RECOMMENDED FASTENERS

QTY	DESCRIPTION	PART#
5	M6 x 12mm BHSCS & Economy T-Nut	651503
or 2	M6 x 12mm BHSCS & Double Economy T-Nut	651519
& 1	M6 x 12mm BHSCS & Economy T-Nut	651503
5	1/4-20 x 1/2" FBHSCS & Economy T-Nut	651130
or 1	1/4-20 x 1/2" FBHSCS & Double Economy T-Nut	651142
& 1	1/4-20 x 1/2" FBHSCS & Triple Economy T-Nut	651144

25 SERIES – 7 Hole Tee Joining Plate

Item Number: **653049**

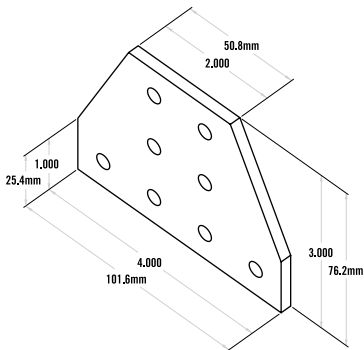


RECOMMENDED FASTENERS

QTY	DESCRIPTION	PART#
7	M6 x 12mm BHSCS & Economy T-Nut	651503
or 3	M6 x 12mm BHSCS & Double Economy T-Nut	651519
& 1	M6 x 12mm BHSCS & Economy T-Nut	651503
7	1/4-20 x 1/2" FBHSCS & Economy T-Nut	651130
or 2	1/4-20 x 1/2" FBHSCS & Double Economy T-Nut	651142
& 1	1/4-20 x 1/2" FBHSCS & Triple Economy T-Nut	651144

25 SERIES - 8 Hole Tee Joining Plate

Item Number: **653089**

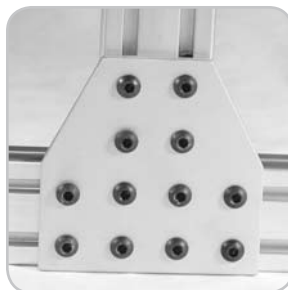
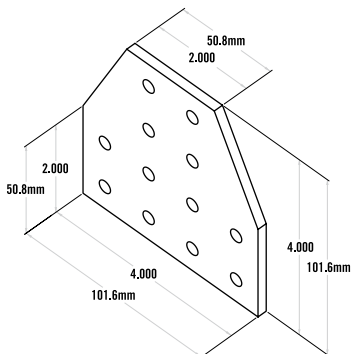


RECOMMENDED FASTENERS

QTY	DESCRIPTION	PART#
8	M6 x 12mm BHSCS & Economy T-Nut	651503
or 4	M6 x 12mm BHSCS & Double Economy T-Nut	651519
8	1/4-20 x 1/2" FBHSCS & Economy T-Nut	651130
or 4	1/4-20 x 1/2" FBHSCS & Double Economy T-Nut	651142

25 SERIES - 12 Hole Tee Joining Plate

Item Number: **653062**



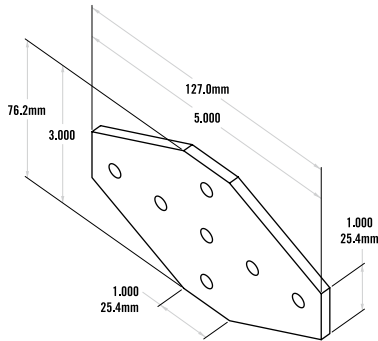
RECOMMENDED FASTENERS

QTY	DESCRIPTION	PART#
12	M6 x 12mm BHSCS & Economy T-Nut	651503
or 6	M6 x 12mm BHSCS & Double Economy T-Nut	651519
12	1/4 - 20 x 1/2" FBHSCS & Economy T-Nut	651130
or 6	1/4 - 20 x 1/2" FBHSCS & Double Economy T-Nut	651142

Metric

25 SERIES - 7 Hole Crossing Joining Plate

Item Number: **653072**

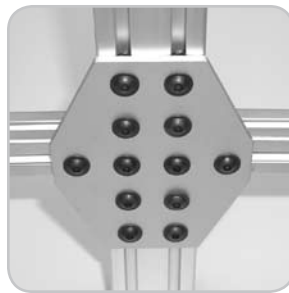
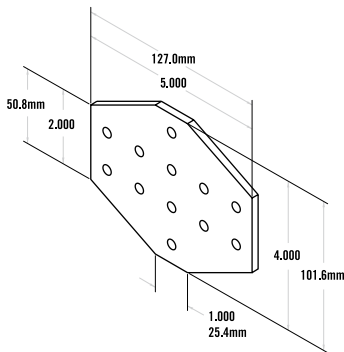


RECOMMENDED FASTENERS

QTY	DESCRIPTION	PART#
7	M6 x 12mm BHSCS & Economy T-Nut	651503
or 3	M6 x 12mm BHSCS & Double Economy T-Nut	651519
or 1	M6 x 12mm BHSCS & Economy T-Nut	651503
7	1/4 - 20 x 1/2" FBHSCS & Economy T-Nut	651130
or 2	1/4 - 20 x 1/2" FBHSCS & Double Economy T-Nut	651142
& 1	1/4 - 20 x 1/2" FBHSCS & Triple Economy T-Nut	651144

25 SERIES - 12 Hole Crossing Joining Plate

Item Number: **653094**

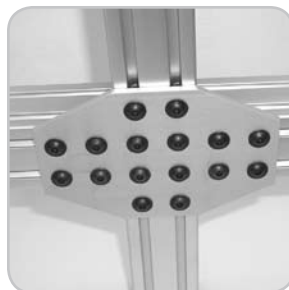
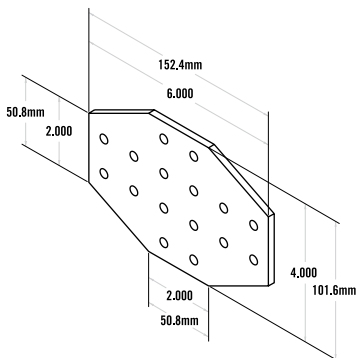


RECOMMENDED FASTENERS

QTY	DESCRIPTION	PART#
12	M6 x 12mm BHSCS & Economy T-Nut	651503
or 6	M6 x 12mm BHSCS & Double Economy T-Nut	651519
12	1/4-20 x 1/2" FBHSCS & Economy T-Nut	651130
or 6	1/4-20 x 1/2" FBHSCS & Double Economy T-Nut	651142

25 SERIES - 16 Hole Crossing Joining Plate

Item Number: **653103**

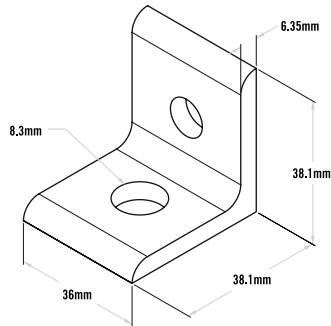


RECOMMENDED FASTENERS

QTY	DESCRIPTION	PART#
16	M6 x 12mm BHSCS & Economy T-Nut	651503
or 8	M6 x 12mm BHSCS & Double Economy T-Nut	651519
16	1/4-20 x 1/2" FBHSCS & Economy T-Nut	651130
or 8	1/4-20 x 1/2" FBHSCS & Double Economy T-Nut	651142

40 SERIES – 2 Hole Inside Corner Bracket

Item Number: **664005**

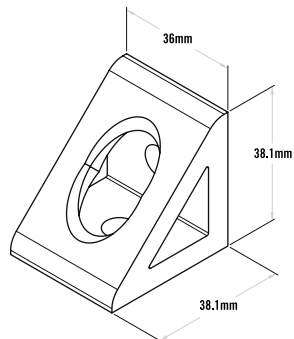


RECOMMENDED FASTENERS

QTY	DESCRIPTION	PART#
2	M8 x 16mm BHSCS & Economy T-Nut	651506

40 SERIES - 2 Hole Inside Corner Gusset

Item Number: **664006**

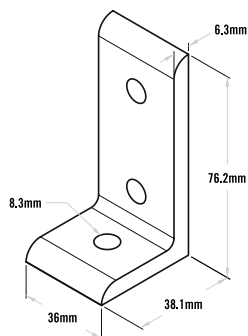


RECOMMENDED FASTENERS

QTY	DESCRIPTION	PART#
2	M8 x 16mm BHSCS & Economy T-Nut	651506

40 SERIES - 3 Hole Inside Corner Bracket

Item Number: **664007**



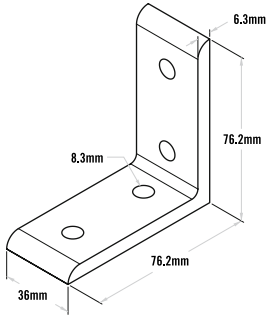
RECOMMENDED FASTENERS

QTY	DESCRIPTION	PART#
3	M8 x 16mm BHSCS & Economy T-Nut	651506
or 1	M8 x 16mm BHSCS & Economy T-Nut	651506
& 1	M8 x 16mm BHSCS & Double Economy T-Nut	651521

Metric

40 SERIES - 4 Hole Inside Corner Bracket

Item Number: **664004**

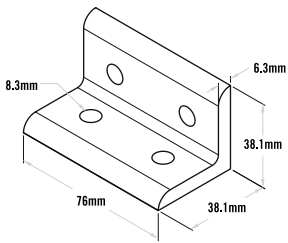


RECOMMENDED FASTENERS

QTY	DESCRIPTION	PART#
4	M8 x 16mm BHSCS & Economy T-Nut	651506
or 2	M8 x 16mm BHSCS & Double Economy T-Nut	651521

40 SERIES - 4 Hole Inside Corner Bracket

Item Number: **664001**

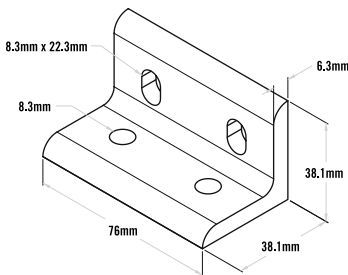


RECOMMENDED FASTENERS

QTY	DESCRIPTION	PART#
4	M8 x 16mm BHSCS & Economy T-Nut	651506

40 SERIES - 4 Hole Slotted Inside Corner Bracket

Item Number: **659060**

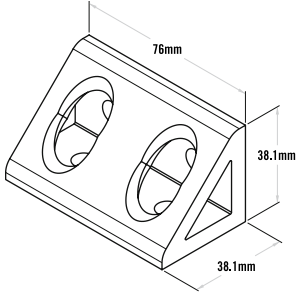


RECOMMENDED FASTENERS

QTY	DESCRIPTION	PART#
4	M8 x 16mm BHSCS & Economy T-Nut	651506

40 SERIES - 4 Hole Inside Corner Gusset

Item Number: **664032**

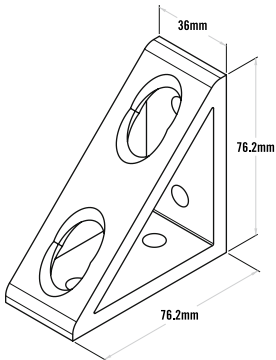


RECOMMENDED FASTENERS

QTY	DESCRIPTION	PART#
4	M8 x 16mm BHSCS & Economy T-Nut	651506

40 SERIES - 4 Hole Inside Corner Gusset

Item Number: **664002**

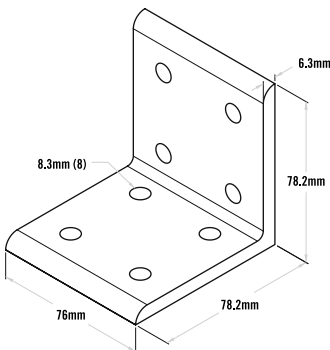


RECOMMENDED FASTENERS

QTY	DESCRIPTION	PART#
4	M8 x 16mm BHSCS & Economy T-Nut	651506
or 2	M8 x 16mm BHSCS & Double Economy T-Nut	651521

40 SERIES - 8 Hole Inside Corner Bracket

Item Number: **664027**



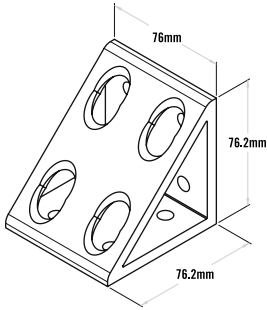
RECOMMENDED FASTENERS

QTY	DESCRIPTION	PART#
8	M8 x 16mm BHSCS & Economy T-Nut	651506
or 4	M8 x 16mm BHSCS & Double Economy T-Nut	651521

Metric

40 SERIES - 8 Hole Inside Corner Gusset

Item Number: **664000**

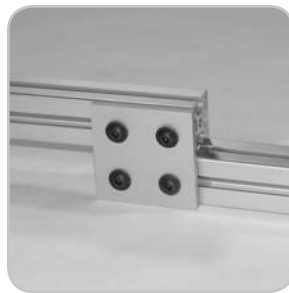
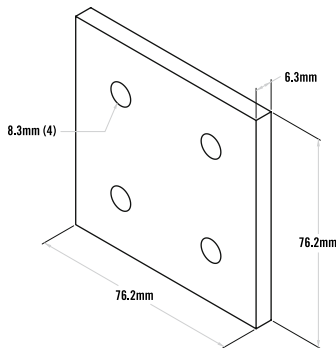


RECOMMENDED FASTENERS

QTY	DESCRIPTION	PART#
8	M8 x 16mm BHSCS & Economy T-Nut	651506
or 4	M8 x 16mm BHSCS & Double Economy T-Nut	651521

40 SERIES - 4 Hole Joining Plate

Item Number: **664049**

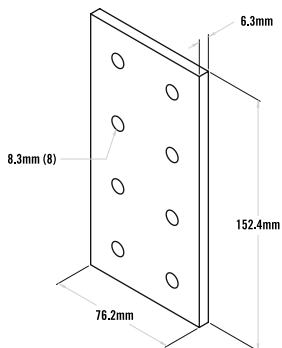


RECOMMENDED FASTENERS

QTY	DESCRIPTION	PART#
4	M8 x 16mm BHSCS & Economy T-Nut	651506
or 2	M8 x 16mm BHSCS & Double Economy T-Nut	651521

40 SERIES - 8 Hole Joining Plate

Item Number: **659059**

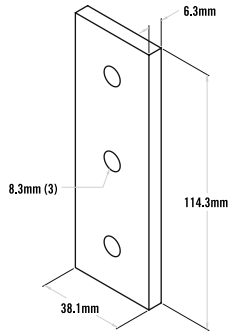


RECOMMENDED FASTENERS

QTY	DESCRIPTION	PART#
8	M8 x 16mm BHSCS & Economy T-Nut	651506
or 4	M8 x 16mm BHSCS & Double Economy T-Nut	651521

40 SERIES - 3 Hole Joining Strip

Item Number: **664041**

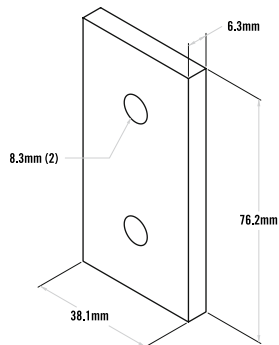


RECOMMENDED FASTENERS

QTY	DESCRIPTION	PART#
3	M8 x 16mm BHSCS & Economy T-Nut	651506

40 SERIES - 2 Hole Joining Strip

Item Number: **664057**

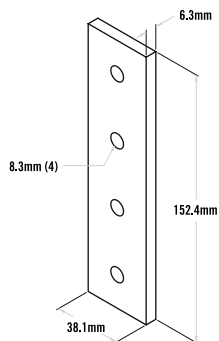


RECOMMENDED FASTENERS

QTY	DESCRIPTION	PART#
2	M8 x 16mm BHSCS & Economy T-Nut	651506

40 SERIES - 4 Hole Joining Strip

Item Number: **664050**



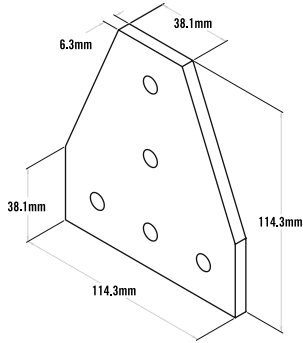
RECOMMENDED FASTENERS

QTY	DESCRIPTION	PART#
4	M8 x 16mm BHSCS & Economy T-Nut	651506

Metric

40 SERIES - 5 Hole Tee Joining Plate

Item Number: **664051**

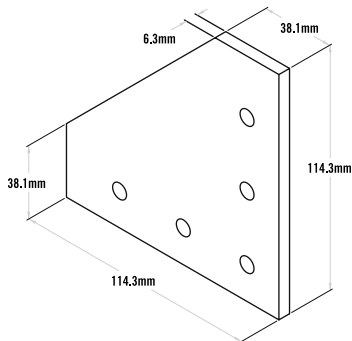


RECOMMENDED FASTENERS

QTY	DESCRIPTION	PART#
5	M8 x 16mm BHSCS & Economy T-Nut	651506

40 SERIES - 5 Hole 90° Joining Plate

Item Number: **664029**

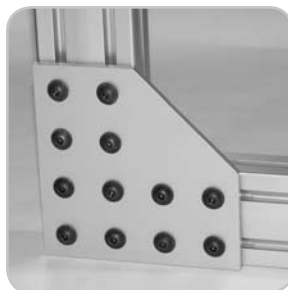
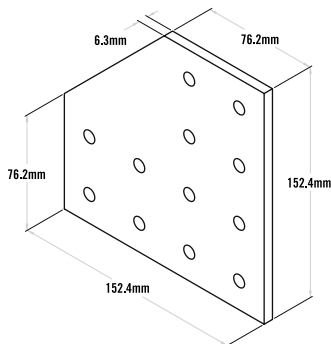


RECOMMENDED FASTENERS

QTY	DESCRIPTION	PART#
5	M8 x 16mm BHSCS & Economy T-Nut	651506
or 2	M8 x 16mm BHSCS & Double Economy T-Nut	651521
& 1	M8 x 16mm BHSCS & Economy T-Nut	651506

40 SERIES - 12 Hole 90° Joining Plate

Item Number: **664053**

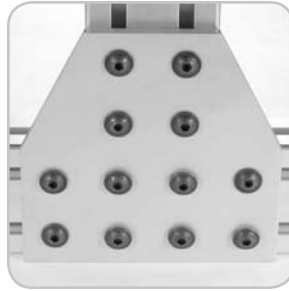
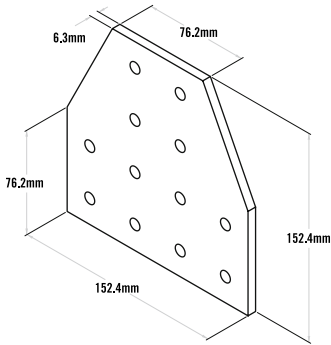


RECOMMENDED FASTENERS

QTY	DESCRIPTION	PART#
12	M8 x 16mm BHSCS & Economy T-Nut	651506
or 6	M8 x 16mm BHSCS & Double Economy T-Nut	651521

40 SERIES - 12 Hole Tee Joining Plate

Item Number: **664054**



RECOMMENDED FASTENERS

QTY	DESCRIPTION	PART#
12	M8 x 16mm BHSCS & Economy T-Nut	651506
or 6	M8 x 16mm BHSCS & Double Economy T-Nut	651521

FASTENER/TOOL RECOMMENDED CHART

THREAD SIZE	FASTENER HEAD			
	SHCS	BHSCS	FBHSCS	FHSCS
8/32	n/a	3/32"	n/a	n/a
10-32	5/32"	1/8"	n/a	n/a
1/4-20	3/16"	5/32"	5/32"	5/32"
5/16-18	1/4"	3/16"	3/16"	3/16"
3/8-16	5/16"	n/a	n/a	7/32"
M6	5mm	4mm	n/a	n/a
M8	6mm	5mm	n/a	n/a

* Numbers in chart reflect hex tool size required.

ECONOMY T-NUTS



ITEM #	DESCRIPTION	THREAD
651386	Bright Zinc 10 S / 25 S Metric Economy T-Nut offset	M6x1.0
651366	Bright Zinc 15 S / 40 S Metric Economy T-Nut offset	M6x1.0
651367	Bright Zinc 15 S / 40 S Metric Economy T-Nut offset	M8x1.25
651445	Black Zinc 15 S / 40 S Metric Economy T-Nut	M8x1.25

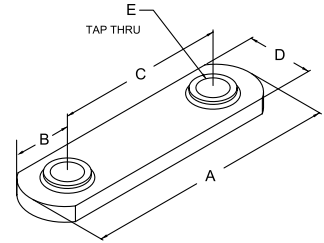
- Economical
- High Strength
- Extrusion end loading only
- 25 & 40 Series sizes

Metric

DOUBLE ECONOMY T-NUTS

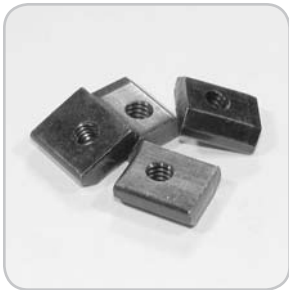


- Economical
- High Strength
- Extrusion end loading only
- 25 & 40 Series sizes
- More convenient and better productivity over single economy T-Nut
- 25mm and 40mm centerlines make pre-assembly easy



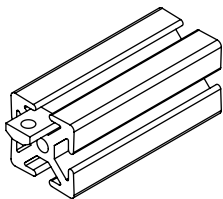
ITEM #	DESCRIPTION	THREAD	A	B	C	D	E
651331	Bright Zinc 10 S / 25 S Metric Dbl. Economy T-Nut	M6x1.0	1.87	0.443	1	0.443	M6x1.0
651461	Black Zinc 40 S Double Economy T-Nut	M8x1.25	76mm	19mm	40mm	16mm	M8x1.25

STANDARD T-NUTS OFFSET

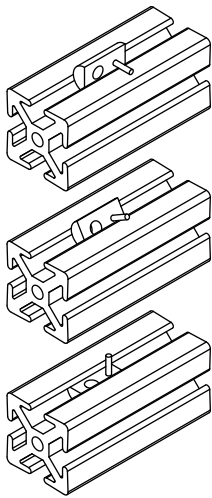
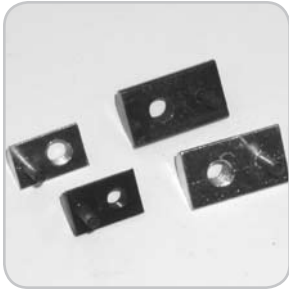


ITEM #	DESCRIPTION	THREAD
651398	Bright Zinc 10 S / 25 S Standard T-Nut	M5x.8
651400	Bright Zinc 10 S / 25 S Standard T-Nut	M6x1.0
651393	Bright Zinc 15 S / 40 S Standard T-Nut	M6x1.0
651395	Bright Zinc 15 S / 40 S Standard T-Nut	M8x1.25
651477	10 S / 25 S Standard T-Nut Profile	36" length
651475	15 S / 40 S Standard T-Nut Profile	36" length

- 25 and 40 Series sizes
- Extrusion end loading only
- High Strength
- Economical



DROP IN T-NUTS WITH RUBBER HANDLE



ITEM #	DESCRIPTION	THREAD
651402	Bright Zinc 10 S / 25 S Drop In T-Nut	M5x.8
651403	Bright Zinc 10 S / 25 S Drop In T-Nut	M6x1.0
651372	Bright Zinc 15 S / 40 S Drop In T-Nut	M6x1.0
651371	Bright Zinc 15 S / 40 S Drop In T-Nut	M8x1.25

- Tapered bottom allows for easy loading and removal from extrusion slot
- Reduces assembly time
- Easy to add and reposition in T-Slot when ends are closed off
- Rubber nub holds T-Nut in vertical T-Slot
- 25 and 40 Series sizes
- High Strength

DROP IN T-NUTS WITH SET SCREW



ITEM #	DESCRIPTION	THREAD
651421	Bright Zinc 15 S / 40 S Drop In T-Nut w/ Set Screw	M8x1.25
651425	Bright Zinc 15 S / 40 S Drop In T-Nut w/ Set Screw	M6x1.0

- Tapered bottom allows for easy loading and removal from extrusion slot
- Reduces assembly time
- Easy to add and reposition in T-Slot when ends are closed off
- Set screw holds T-Nut in vertical T-Slot
- 40 Series sizes
- High Strength

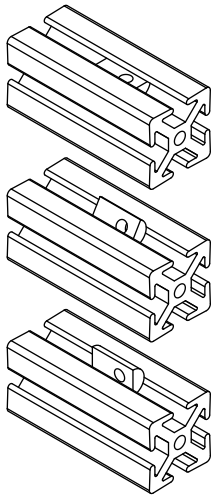
Metric

DROP IN T-NUTS WITH BALL BEARING



ITEM #	DESCRIPTION	THREAD
651471	10 S / 25 S Bright Zinc Drop-in Tnut w/ Ball Bearing	M5 x.8
651472	10 S / 25 S Bright Zinc Drop-in Tnut w/ Ball Bearing	M6 x1.0
651646	15 S / 40 S Bright Zinc Drop-in Tnut w/ Ball Bearing	M5 x.8
651647	15 S / 40 S Bright Zinc Drop-in Tnut w/ Ball Bearing	M6 x1.0
651648	15 S / 40 S Bright Zinc Drop-in Tnut w/ Ball Bearing	M8 x1.25

- Tapered bottom allows for easy loading and removal from extrusion slot
- Reduces assembly time
- Easy to add and reposition in T-Slot when ends are closed off
- Ball bearing holds T-Nut in vertical T-Slot
- 25 and 40 Series sizes
- High Strength



STEPPED DROP IN T-NUTS WITH BALL BEARING



ITEM #	DESCRIPTION	THREAD
664111	15 S Stepped Drop In T-Nut w/ Ball Bearing	M5
664112	15 S Stepped Drop In T-Nut w/ Ball Bearing	M6
664113	15 S Stepped Drop In T-Nut w/ Ball Bearing	M8
664114	15 S Stepped Drop In T-Nut w/ Ball Bearing	1/4-20
664115	15 S Stepped Drop In T-Nut w/ Ball Bearing	10-32
664116	15 S Stepped Drop In T-Nut w/ Ball Bearing	5/16-18

- Self aligning roll-in T-SLOT nut with spring ball, zinc plated steel

Z-NUTS



ITEM #	DESCRIPTION	THREAD
662002	M5 Z-Nut	M5
662001	M6 Z-Nut	M6

- Design allows for easy loading from extrusion slot
- Fits 40 Series sizes
- Metric thread size only

BUTT FASTENERS



ITEM #	DESCRIPTION
651153	10 S / 25 S Butt Fastener
651154	15 S / 40 S Butt Fastener

- Allows you to butt two extrusions end to end for maximum strength and alignment
- 25 and 40 Series sizes

» See page 11:08 for machining services.

ANCHOR FASTENERS



ITEM #	DESCRIPTION
651500	10 S / 25 S Anchor Fastener w/M5 Bolt & Std. T-Nut
651492	10 S / 25 S Anchor Fastener w/o Leg - Cam only
651424	15 S / 40 S Metric Anchor Fastener w/ M8 Bolt & Std. T-Nut
651491	15 S / 40 S Anchor Fastener w/o Leg - Cam only

- Strongest of available fasteners
- Creates 90 degree T-Slot connections
- 25 & 40 Series sizes
- All T-Nuts are offset

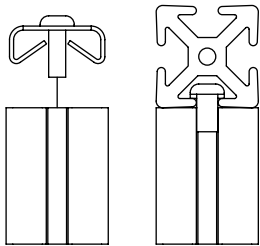
Metric

END FASTENERS



ITEM #	DESCRIPTION	THREAD
651422	Bright Zinc 10 S / 25 S End Fastener with Screw	M6x1.0
651291	Bright Zinc 10 S / 25 S End Fastener without Screw	n/a
651159	Black Zinc 10 S / 25 S End Fastener without Screw	n/a
651418	Bright Zinc 15 S / 40 S End Fastener with Screw	M8x1.25
651289	Bright Zinc 15 S / 40 S End Fastener without Screw	n/a
651160	Black Zinc 15 S / 40 S End Fastener without Screw	n/a

- Provides a hidden fastener when connecting extrusions at 90 degrees
- Mating extrusions glide over end fastener
- Tapping service required in the extrusion base end and access hole in the mating extrusion
- 25 and 40 Series sizes
- Prevents mating extrusion from rotating

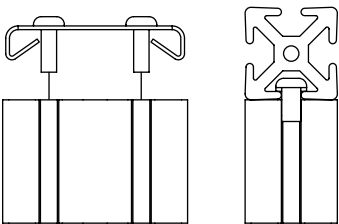


DOUBLE END FASTENERS

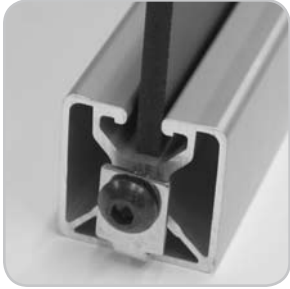


ITEM #	DESCRIPTION	THREAD
651428	Bright Zinc 10 S / 25 S Metric Double End Fastener with Screw	M6x1.0
651329	Bright Zinc 10 S / 25 S Double End Fastener without Screw	n/a
651139	Black Zinc 10 S / 25 S Double End Fastener without Screw	n/a

- Provides a hidden fastener when connecting extrusions at 90 degrees
- Mating extrusions glide over end fastener
- Tapping service required in the extrusion base end and access hole in the mating extrusion
- 10 and 25 Series sizes only
- Prevents mating extrusion from rotating



SINGLE TAB END FASTENER



ITEM #	DESCRIPTION
651495	15 S / 40 S Single Tab End Fastener w/o Screw
651502	40 S Single Tab End Fastener w/ M8 x 20 mm BHSCS

- Allows for panels to mate in slots without having to notch panels
- Provides hidden fastener when connecting extrusions at 90°
- Mating extrusions glide over end fastener
- Tapping service required in the extrusion base end and access hole in the mating extrusions
- 40 Series sizes only

PUSH IN FASTENERS



ITEM #	DESCRIPTION
651084	10 S / 25 S Push In Fastener
651090	10 S / 40 S Push In Fastener

- Pushes into center holes of 25 and 40 Series extrusions
- Used to fasten End Caps onto extrusions

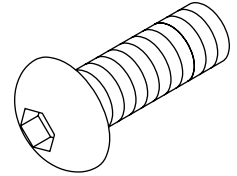
Metric

BUTTON HEAD SOCKET CAP SCREW & ASSEMBLIES

ITEM #	DESCRIPTION
651333	M6 x 12 mm BHSCS
651335	M6 x 16 mm BHSCS
651340	M6 x 20 mm BHSCS
651661	M6 x 20 mm BHSCS Bright Zinc
651341	M6 x 25 mm BHSCS
651343	M8 x 12 mm BHSCS
651345	M8 x 16 mm BHSCS
651347	M8 x 20 mm BHSCS
651351	M8 x 25 mm BHSCS

25 SERIES ASSEMBLIES

ITEM #	DESCRIPTION
651536	M6 x 10 mm BHSCS & Economy T-Nut
651503	M6 x 12 mm BHSCS & Economy T-Nut
651504	M6 x 12 mm BHSCS & Standard T-Nut
651505	M6 x 12 mm BHSCS & Drop In T-Nut
651519	M6 x 12 mm BHSCS & Double Economy T-Nut



40 SERIES ASSEMBLIES

ITEM #	DESCRIPTION
651506	M8 x 16 mm BHSCS & Economy T-Nut
651507	M8 x 16 mm BHSCS & Standard T-Nut
651508	M8 x 16 mm BHSCS & Drop In T-Nut
651521	M8 x 16 mm BHSCS & Double Economy T-Nut

» See page 01:02 for torque specifications.

SOCKET HEAD CAP SCREWS & ASSEMBLIES

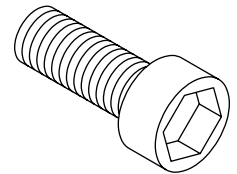
ITEM #	DESCRIPTION
651332	M6 x 12 mm SHCS
651334	M6 x 16 mm SHCS
651337	M6 x 20 mm SHCS
651338	M6 x 25 mm SHCS
651342	M8 x 12 mm SHCS
651344	M8 x 16 mm SHCS
651346	M8 x 20 mm SHCS
651350	M8 x 25 mm SHCS
651354	M8 x 30 mm SHCS
651542	M8 x 40 mm SHCS

25 SERIES ASSEMBLIES

ITEM #	DESCRIPTION
651510	M6 x 12 mm SHCS & Standard T-Nut
651511	M6 x 12 mm SHCS & Drop In T-Nut

40 SERIES ASSEMBLIES

ITEM #	DESCRIPTION
651512	M8 x 16 mm SHCS & Economy T-Nut
651513	M8 x 16 mm SHCS & Standard T-Nut
651514	M8 x 16 mm SHCS & Drop In T-Nut



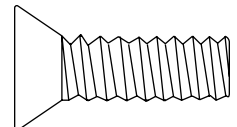
25 SERIES ASSEMBLIES

ITEM #	DESCRIPTION
651509	M6 x 12 mm SHCS & Economy T-Nut

» See page 01:02 for torque specifications.

FLATHEAD SOCKET CAP SCREW & ASSEMBLIES

ITEM #	DESCRIPTION
651515	M6 x 12 mm FHSCS
651516	M6 x 16 mm FHSCS
651517	M8 x 16 mm FHSCS
651518	M8 x 20 mm FHSCS



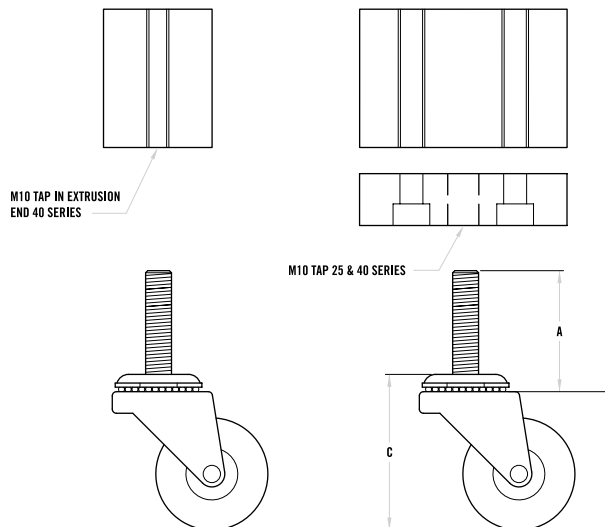
THREADED STEM SWIVEL CASTERS



ITEM #	DESCRIPTION
651522	35mm Swivel Caster w/ M10 x 30 Stem w/o Brake
651523	50mm Swivel Caster w/ M10 x 30 Stem w/ Brake
651524	75mm Swivel Caster w/ M10 x 30 Stem w/ Brake
651525	100mm Swivel Caster w/ M10 x 30 Stem w/ Brake
651526	125mm Swivel Caster w/ M10 x 30 Stem w/ Brake

- Mounts directly to extrusion end or base plates
- 70-150 lb. Capacity
- 25 and 40 Series compatible

ITEM NUMBER	651522	651523	651524	651525	651526
DIAMETER	35.0	50.0	75.0	100.0	125.00
CAPACITY	75	50	75	100	110
A	M10 x 30	M10 x 30	M10 x 30	M10 x 30	M10 x 30
B	25.0	18.0	23.0	32.0	32.0
C	60.0	69.0	98.0	133.0	158.0
OIL RESISTANCE	Average	Average	Average	Average	Average
WHEEL COLOR	Black	Black	Black	Black	Black
LBS	.13	.13	.19	.48	.58
BRAKE	No	Yes	Yes	Yes	Yes
MOUNTING PLATE COMPATIBILITY	SEE PAGES 12:38 & 12:39 25 & 40 SERIES				



Metric

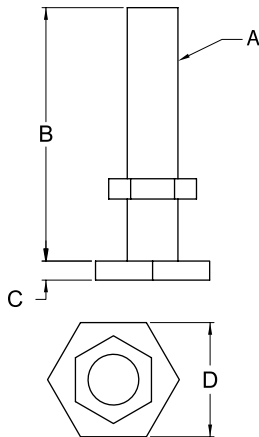
ECONOMY LEVELING FEET



ITEM #	DESCRIPTION
651527	M6 x 1.0 Economy Leveling Foot
651528	M8 x 1.25 Economy Leveling Foot
651529	M10 x 1.5 Economy Leveling Foot
651530	M12 x 1.75 Economy Leveling Foot

- Threads directly into extrusion end or into 25 and 40 Series base plates
- Jam nut included
- 1050 lb. to 4700 lb. capacity
- 10 and 15 Series sizes

» Tap machining service required to load extrusion end. See page 11:06.



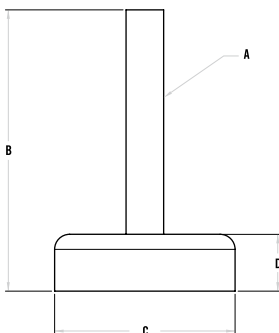
ITEM #	651527	651528	651529	651530
A	M6 x 1.0	M8 x 1.25	M10 x 1.5	M12 x 1.74
B	30.0	40.0	60.0	65.0
C	2.40	3.10	3.70	4.40
D	14.0	18.0	22.0	25.0
LOAD CAPACITY	475 kg	790 kg	1150 kg	2130 kg

NYLON LEVELING FEET



ITEM #	DESCRIPTION
655783	M8 Nylon Leveling Foot
655790	M10 Nylon Leveling Foot
655798	M12 Nylon Leveling Foot
655869	M16 Nylon Leveling Foot

ITEM #	655783	655790	655798	655869
A	M8	M10	M12	M16
B	58.0	63.0	84.0	84.0
C	39.0	59.0	79.0	99.0
D	18.0	18.0	18.0	18.0
LOAD CAPACITY	350 kg	470 kg	770 kg	1450 kg



DELUXE LEVELING FEET

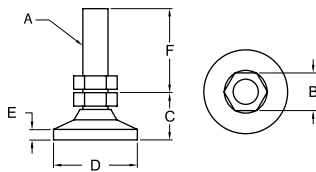


ITEM #	DESCRIPTION
651531	M6 x 1.0 Deluxe Leveling Feet
651532	M8 x 1.25 Deluxe Leveling Feet
651533	M10 x 1.50 Deluxe Leveling Feet
651534	M12 x 1.75 Deluxe Leveling Feet
651535	M16 x 2.0 Deluxe Leveling Feet

- Threads directly into extrusion end or into 25 and 40 Series base plates
- Jam nut included
- Pivots 20 degrees to accommodate uneven floors
- 1000 lb. to 7400 lb. capacity
- 10 and 15 Series sizes



» Tap machining service required to load extrusion end. See page 11:06.

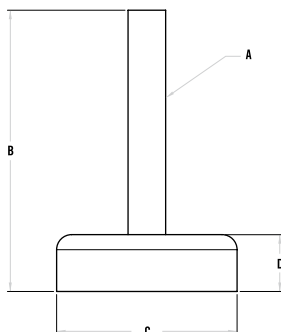


ITEM #	651531	651532	651533	651534	651535
A	M6 x 1.0	M8 x 1.25	M10 x 1.50	M12 x 1.75	M16 x 2.0
B	10.0	13.0	16.0	19.0	22.0
C	14.0	18.0	22.0	29.0	32.0
D	19.0	26.0	32.0	48.0	64.0
E	25.0	32.0	51.0	51.0	51.0
LOAD CAPACITY	317 kg	453 kg	1701 kg	2268 kg	2721 kg

DIE CAST LEVELING FEET



ITEM #	DESCRIPTION
655779	M8 Die Cast Leveling Foot
655786	M10 Die Cast Leveling Foot
655794	M12 Die Cast Leveling Foot
655806	M16 Die Cast Leveling Foot
655802	M12 Die Cast Leveling Foot w/ Holes
655814	M16 Die Cast Leveling Foot w/ Holes



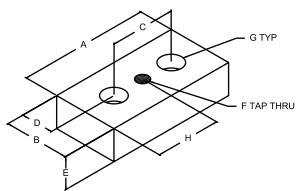
ITEM #	655779	655786	655794	655806	655802	655814
A	M8	M10	M12	M16	M12 (w/holes)	M16 (w/holes)
B	58.0	63.0	2.39	84.0	84.0	84.0
C	29.0	39.0	3.11	59.0	79.0	99.0
D	18.0	18.0	.708	18.0	18.0	18.0
LOAD RATING	350 Kg	470 Kg	770 Kg	1450 Kg	770 Kg	1450 Kg

Metric

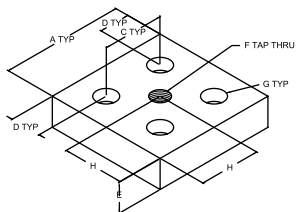
25 SERIES BASE PLATES

ITEM #	DESCRIPTION	BOLT KIT TO T SLOT	MOUNT IN EXTRUSION END
664058	25S 25mm x 50mm M6 x 1.0	(2) 651509	(2) 651337
664059	25S 25mm x 50mm M8 x 1.25	(2) 651509	(2) 651337
664060	25S 25mm x 50mm M10 x 1.5	(2) 651509	(2) 651337
664061	25S 25mm x 50mm M12 x 1.75	(2) 651509	(2) 651337
655662	25S 50mm x 50mm Blank	(2) 651509	(2) 651337
664062	25S 50mm x 50mm M10 x 1.5	(4) 651509	(4) 651337
664063	25S 50mm x 50mm M12 x 1.75	(4) 651509	(4) 651337
664064	25S 50mm x 50mm M16 x 2.0	(4) 651509	(4) 651337
664065	25S 50mm x 50mm M20 x 2.25	(4) 651509	(4) 651337
655663	25S 50mm x 50mm Blank	(4) 651509	(4) 651337

- Mounts leveling feet and threaded stem casters to T-SLOTS
- Bolts in extrusion end or in T-Slot
- See page 12:36 for leveling feet
- See page 12:35 for threaded stem casters



ITEM #	LBS	A	B	C	D	E	F	G	H
664058	.085	50.8	25.4	25.4	12.7	12.7	M6	DRILL THRU & C-BORE FOR M6	25.4
664059	.085	50.8	25.4	25.4	12.7	12.7	M8	DRILL THRU & C-BORE FOR M6	25.4
664060	.080	50.8	25.4	25.4	12.7	12.7	M10	DRILL THRU & C-BORE FOR M6	25.4
664061	.078	50.8	25.4	25.4	12.7	12.7	M12	DRILL THRU & C-BORE FOR M6	25.4
655662	.090	50.8	25.4	25.4	12.7	12.7	N/A	DRILL THRU & C-BORE FOR M6	25.4

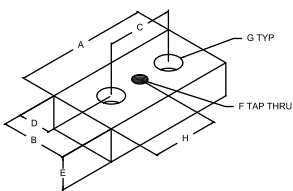


ITEM #	LBS	A	B	C	D	E	F	G	H
664062	.175	50.8	N/A	25.4	12.7	12.7	M10	DRILL THRU & C-BORE FOR M6	25.4
664063	.170	50.8	N/A	25.4	12.7	12.7	M12	DRILL THRU & C-BORE FOR M6	25.4
664064	.170	50.8	N/A	25.4	12.7	12.7	M16	DRILL THRU & C-BORE FOR M6	25.4
664065	.160	50.8	N/A	25.4	12.7	12.7	M20	DRILL THRU & C-BORE FOR M6	25.4
655663	.180	50.8	N/A	25.4	12.7	12.7	N/A	DRILL THRU & C-BORE FOR M6	N/A

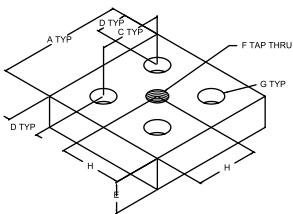
40 SERIES BASE PLATES

ITEM #	DESCRIPTION	BOLT KIT TO T SLOT	MOUNT IN EXTRUSION END
664043	40S 40mm x 80mm Base Plate w/ 8mm Tap In Center	(2) 651426	(2) 651350
660146	40S 40mm x 80mm Base Plate w/ 10mm Tap In Center	(2) 651426	(2) 651350
664044	40S 40mm x 80mm Base Plate w/ 12mm Tap In Center	(2) 651426	(2) 651350
664045	40S 40mm x 80mm Base Plate w/ 16mm Tap In Center	(2) 651426	(2) 651350
664046	40S 80mm x 80mm Base Plate w/ 8mm Tap In Center	(4) 651426	(4) 651350
664047	40S 80mm x 80mm Base Plate w/ 10mm Tap In Center	(4) 651426	(4) 651350
664048	40S 80mm x 80mm Base Plate w/ 12mm Tap In Center	(4) 651426	(4) 651350
664031	40S 80mm x 80mm Base Plate w/ 16mm Tap In Center	(4) 651426	(4) 651350

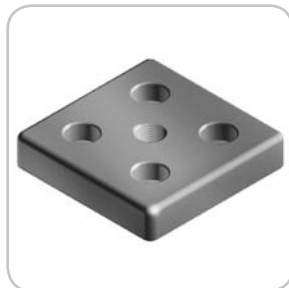
- Mounts leveling feet and threaded stem casters to T-SLOTS
- Bolts in extrusion end or in T-Slot
- See pages 12:36 for leveling feet
- See pages 12:35 for threaded stem casters
- Die Cast Black



ITEM #	LBS	A	B	C	D	E	F	G	H
664043	.136	80.0	40.0	40.0	20.0	16.0	8mm	DRILL THRU & C-BORE FOR M8-1	38.1
660146	.136	80.0	40.0	40.0	20.0	16.0	10mm	DRILL THRU & C-BORE FOR M8-1	38.1
664044	.136	80.0	40.0	40.0	20.0	16.0	12mm	DRILL THRU & C-BORE FOR M8-1	38.1
664045	.129	80.0	40.0	40.0	20.0	16.0	16mm	DRILL THRU & C-BORE FOR M8-1	38.1
655657	.138	80.0	40.0	40.0	20.0	16.0	N/A	DRILL THRU & C-BORE FOR M8-1	38.1



ITEM #	LBS	A	B	C	D	E	F	G	H
664046	.272	80.0	N/A	40.0	20.0	16.0	8mm	DRILL THRU & C-BORE FOR M8-1	38.1
664047	.272	80.0	N/A	40.0	20.0	16.0	10mm	DRILL THRU & C-BORE FOR M8-1	38.1
664048	.263	80.0	N/A	40.0	20.0	16.0	12mm	DRILL THRU & C-BORE FOR M8-1	38.1
664031	.263	80.0	N/A	40.0	20.0	16.0	16mm	DRILL THRU & C-BORE FOR M8-1	38.1
655661	.277	80.0	N/A	40.0	20.0	16.0	N/A	DRILL THRU & C-BORE FOR M8-1	N/A



BASE PLATES - FLOOR MOUNT 40 SERIES ECONOMY



655276

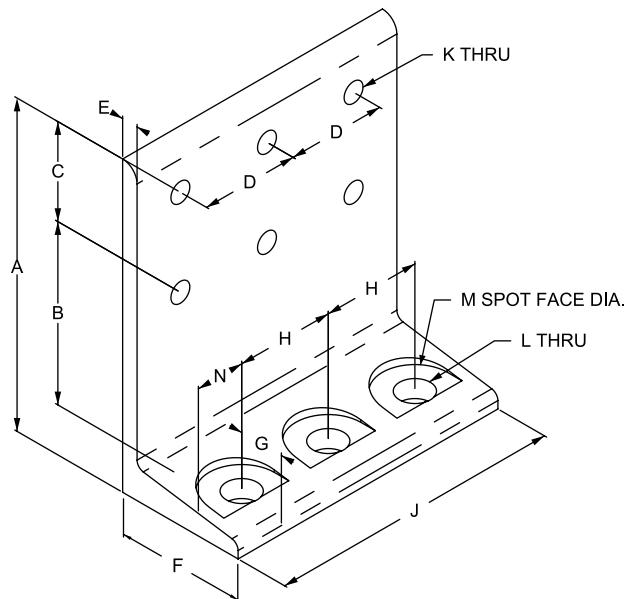


664016

ITEM #	DESCRIPTION	BOLT KIT TO MOUNT TO T-SLOT
655276	40 S 1.5" Economy Floor Mount Base Plate	(2) 651506
664016	40 S 80mm x 80mm Economy Floor Mount	(4) 651506

- Strong economy base plates
- Bolts directly in the T-Slot
- Allows vertical adjustments
- More economical than standard Floor Mount Base Plate

ITEM #	655276	664016
A	127	127
B	80	80
C	40	40
D	N/A	40
E	6.3	6.3
F	50.8	50.8
G	17.5	17.5
H	N/A	40
J	40	80
K	8.3	8.3
L	13.5	13.5
M	28.5	28.5
N	20	20
LBS	.131	.262



FLANGE MOUNT CASTER BASE PLATE



ITEM #	DESCRIPTION
655279	10 S / 25 S Flange Mount Caster Base Plate
655280	10 S / 25 S Flange Mount Caster Base Plate
664067	40 S Flange Mount Caster Base Plate
664068	40 S Flange Mount Caster Base Plate

RECOMMENDED FASTENERS TO MOUNT TO EXTRUSION T-SLOT

BASE PLATE PART #	655279	655280	664067	664068
651537			4	4
651503	4	4		



RECOMMENDED FASTENERS TO MOUNT TO EXTRUSION END

BASE PLATE PART #	655279	655280	664067	664068
651350			4	4
651337	4	4		

- Mounts Flange Mount Caster and Deluxe Flange Mount Caster to extrusion
- Mount Base Plate to either extrusion end or slot
- 25 and 40 Series sizes

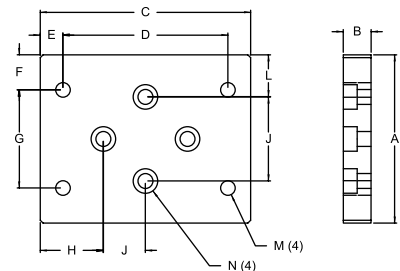
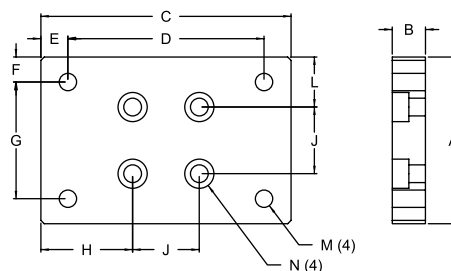
» See page 06:33 - 06:35 for casters.

25 SERIES

ITEM #	655279	655280
A	63.5	63.5
B	12.70	12.70
C	95.25	95.25
D	74.676	74.676
E	10.287	10.287
F	9.525	9.525
G	44.45	44.45
H	34.925	34.925
J	25.4	25.4
L	19.05	19.05
LBS	.19 kg	.19 kg
M	M8 TAP THRU	
N	DRILL THRU & C-BORE M6 SHCS	

40 SERIES

ITEM #	664067	664068
A	76.2	76.2
B	19.05	19.05
C	95.25	95.25
D	74.676	74.676
E	10.287	10.287
F	15.875	15.875
G	44.45	44.45
H	27.625	27.625
J	40.00	40.00
L	11.75	11.75
LBS	.34 kg	.34 kg
M	M8 TAP THRU	
N	DRILL THRU & C-BORE M8 SHCS	



Metric

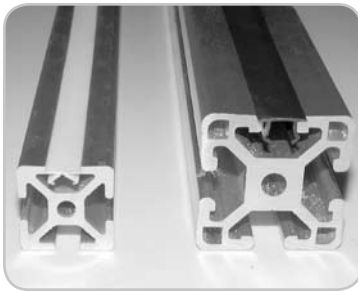
END CAPS



ITEM #	DESCRIPTION
655000	1010 / 2525 End Cap Black
655010	1020 / 2550 End Cap Black
655020	2020 / 5050 End Cap Black
655015	1030 / 2575 End Cap Black
659054	4040 End Cap Black
659055	4080 End Cap Black
659057	8080 End Cap Black

- Allows you to cap off extrusion ends
- Push in fasteners included
- Can be mounted with M6 or M8 fasteners
- 25 and 40 Series sizes

TSLOT COVERS



ITEM #	DESCRIPTION
655107	10 S / 25 S Yellow T-Slot Cover
655108	10 S / 25 S Black T-Slot Cover
655109	10 S / 25 S Gray T-Slot Cover
655104	15 S / 40 S Yellow T-Slot Cover
655105	15 S / 40 S Black T-Slot Cover
655106	15 S / 40 S Gray T-Slot Cover

- Covers T-Slot to keep dust and dirt out
- Covers wires and tubes in T-Slot
- Stocked in 2.438 M (96") lengths

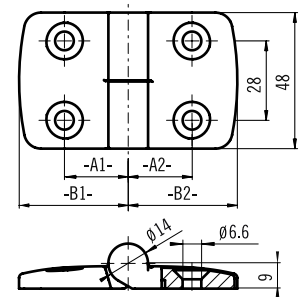
LIFT OFF HINGES



ITEM #	DESCRIPTION
655776	40 S Right Hand Lift Off
655775	40 S Left Hand Lift Off

ITEM #	A1	A2	A3	A4
655776	22.5	22.5	38.5	38.5
655775	22.5	22.5	38.5	38.5

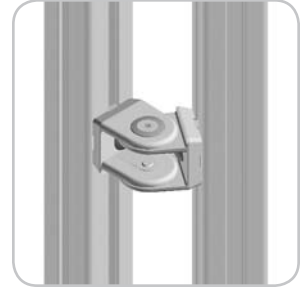
- Fasteners: M6 X 16mm FHSCS and M6 economy T-nut



PIVOT JOINT



ITEM #	DESCRIPTION
664084	10 S / 25 S Pivot Joint
664085	10 S / 25 S Pivot Joint w/ Locking Handle
664088	40 S Pivot Joint
664089	40 S Pivot Joint w/ Locking Handle



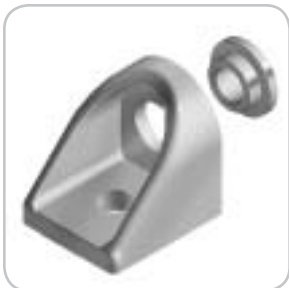
40 S CONNECTOR ANGLE



ITEM #	DESCRIPTION
655767	40 S 45° Connection Angle



ADJUSTABLE ANGLE



ITEM #	DESCRIPTION
664110	40 S Adjustable Angle 40, 36 x 36 x 32, Die-Cast Zinc



13 | INDEX

Index

ITEM NUMBER	PAGE NUMBER
301901	6:23
351343	4:11
351366	4:03
365187	3:31
599900	6:23
622046	10:02
622048	10:02
622050	10:02
644048	12:39

650000

650000	2:02
650001	2:05
650002	2:04
650003	2:06
650004	2:07
650005	2:09
650006	2:10
650007	2:08
650008	2:16; 11:10
650009	2:17
650010	2:18
650012	2:19
650014	2:11
650015	2:12
650016	2:13
650017	2:14
650024	12:03
650025	12:02
650026	12:02
650027	12:02
650028	12:03
650029	12:03
650032	12:04
650033	12:04
650034	12:04
650036	12:05
650037	12:05
650038	12:05
650039	12:06
650040	2:03
650041	2:15
650042	2:20
651002	4:13
651003	4:14
651004	4:14
651005	4:14
651006	4:11
651007	4:11
651008	4:11

ITEM NUMBER	PAGE NUMBER
651009	4:12
651010	4:12
651011	4:11
651012	4:11
651013	4:12
651014	4:14
651015	4:11
651016	4:14
651017	4:12
651018	4:12
651019	4:11
651020	4:11
651021	4:11
651022	4:12
651023	4:11
651024	4:12
651025	4:11
651026	4:13
651027	4:12
651028	4:12
651029	4:12
651030	4:12
651031	4:12
651036	4:07
651038	4:07
651044	4:07
651045	4:07
651048	4:11
651049	4:12
651050	4:12
651051	4:11
651052	4:12
651053	4:11
651054	4:06
651055	4:11
651056	4:11
651057	4:12
651058	4:06
651059	4:12
651060	4:12
651061	4:12
651062	4:12
651063	4:06
651064	4:12
651066	4:06
651072	4:04
651073	4:04
651074	4:04
651075	4:04
651076	4:04

ITEM NUMBER	PAGE NUMBER
651077	4:14
651078	4:14
651079	4:14
651080	4:14
651081	4:14
651082	4:14
651083	4:14
651084	4:10
651084	12:33
651090	4:10
651090	12:33
651095	4:03
651096	4:03
651097	4:03
651098	4:03
651099	4:03
651100	4:03
651101	4:04
651102	4:04
651103	4:04
651104	4:03
651105	4:03
651106	4:03
651107	4:06
651117	4:12
651118	4:12
651119	4:12
651120	4:12
651122	4:05
651123	4:05
651124	4:05
651125	4:05
651126	4:05
651127	4:13
651128	4:13
651129	4:13
651130	4:13; 6:08
651132	4:13
651133	4:06
651134	4:13
651135	4:13
651136	4:13
651137	4:08
651138	4:08
651139	4:08; 12:32
651140	4:08
651141	4:13
651142	4:13
651143	4:13
651144	4:13

ITEM NUMBER	PAGE NUMBER
651146	4:07
651147	4:07
651148	4:07
651149	4:07
651150	4:11
651151	4:11
651152	4:11
651153	4:07; 12:31
651154	4:07; 12:31
651155	6:08
651156	4:11; 6:08
651157	4:04
651158	4:04
651159	4:08; 12:32
651160	4:08; 12:32
651161	4:08
651162	4:08
651163	4:03
651164	4:13
651166	4:13
651169	4:13
651171	4:11
651172	4:11
651173	4:07
651174	4:07
651175	4:12
651176	4:11
651177	4:11
651178	4:14
651179	4:14
651180	4:14
651181	4:14
651182	4:14
651183	4:14
651184	4:14
651185	4:14
651186	4:14
651187	4:14
651188	4:14
651190	4:11
651192	4:11
651193	4:11
651194	4:11
651195	4:11
651196	4:11
651197	4:11
651198	4:12
651199	4:12
651200	4:12
651201	4:12

Index

ITEM NUMBER	PAGE NUMBER	ITEM NUMBER	PAGE NUMBER
651202	4:12	651269	4:13
651203	4:12	651270	4:13
651205	4:12	651271	4:13
651207	4:12	651274	4:11
651209	4:12	651281	4:07
651210	4:13	651284	4:11
651211	4:12	651286	4:12
651213	4:12	651287	4:03
651215	4:12	651288	4:03
651216	4:11	651289	4:08; 12:32
651217	4:12	651290	4:08
651218	4:12	651291	4:08; 12:32
651223	4:13	651292	4:08
651224	4:13; 6:08	651293	4:12
651225	4:11	651294	4:03
651226	4:11	651295	4:12
651227	4:11	651296	4:11
651228	4:13	651297	4:12
651230	4:11	651298	4:11
651232	4:11	651299	4:12
651235	4:12	651300	4:11
651236	4:12	651301	4:12
651237	4:12	651302	4:11
651238	4:12	651303	4:12
651239	4:12	651304	4:11
651240	4:12	651305	4:12
651241	4:12	651306	4:11
651243	5:05	651307	4:13
651244	5:05	651308	4:04
651246	4:04	651310	4:14
651247	4:05	651316	4:03
651248	4:05	651318	4:04
651249	4:11	651319	4:04
651250	4:12	651321	4:03
651251	4:11	651322	4:03
651252	4:12	651323	4:05
651253	4:11	651324	4:05
651254	4:12	651325	4:04
651255	4:06	651326	4:04
651256	4:11	651327	4:08
651257	4:12	651328	4:08
651258	4:11	651329	4:08; 12:32
651259	4:11	651330	4:08
651260	4:12	651331	4:03; 12:28
651261	4:06	651332	4:12; 12:34
651262	4:12	651333	4:11; 12:34
651265	4:11	651334	4:12; 12:34
651266	4:11	651335	4:11; 12:34
651267	4:13	651337	4:12; 12:34
651268	4:13	651338	4:12; 12:34

ITEM NUMBER	PAGE NUMBER
651340	4:11; 12:34
651341	4:11; 12:34
651342	4:12; 12:34
651343	4:11; 12:34
651344	4:12; 12:34
651345	4:11; 12:34
651346	4:12; 12:34
651347	4:11; 12:34
651350	4:12; 12:34
651351	4:11; 12:34
651354	4:12; 12:34
651366	12:27
651367	4:03; 12:27
651371	4:04; 12:29
651372	4:04; 12:29
651386	4:03; 12:27
651393	4:04; 12:28
651395	4:04; 12:28
651398	4:04; 12:28
651400	4:04; 12:28
651402	4:04; 12:29
651403	4:04; 12:29
651406	4:03
651418	4:08; 12:32
651421	4:05; 12:29
651422	4:08; 12:32
651424	4:07; 12:31
651425	4:05; 12:29
651428	4:08; 12:32
651429	4:08
651435	4:04
651445	4:03; 12:27
651461	4:03; 12:28
651462	4:11
651463	4:11
651467	4:05
651468	4:05
651469	4:05
651471	4:05; 12:30
651472	4:05; 12:30
651474	4:14
651475	4:04; 12:28
651477	4:04; 12:28
651482	4:13
651483	4:12
651484	4:13
651485	4:13
651486	4:13
651487	4:13
651488	4:12

ITEM NUMBER	PAGE NUMBER
651489	4:12
651490	4:11
651491	12:31
651492	12:31
651495	4:09; 12:33
651500	4:07; 12:31
651501	4:09
651502	4:09; 12:33
651503	4:11; 12:34
651504	4:11; 12:34
651505	4:11; 12:34
651506	4:11; 12:34
651507	4:11; 12:34
651508	4:11; 12:34
651509	4:12; 12:34
651510	4:13; 12:34
651511	4:13; 12:34
651512	4:13; 12:34
651513	4:13; 12:34
651514	4:13; 12:34
651515	4:14; 12:34
651516	4:14; 12:34
651517	4:14; 12:34
651518	4:14; 12:34
651519	4:11; 12:34
651521	4:11; 12:34
651522	12:35
651523	12:35
651524	12:35
651525	12:35
651526	12:35
651527	12:36
651528	12:36
651529	12:36
651530	12:36
651531	12:37
651532	12:37
651533	12:37
651534	12:37
651535	12:37
651536	12:34
651642	4:05
651643	4:05
651644	4:05
651645	4:05
651646	4:05; 12:30
651647	4:05; 12:30
651648	4:05; 12:30
651650	4:12
651651	4:12

Index

ITEM NUMBER	PAGE NUMBER	ITEM NUMBER	PAGE NUMBER
651652	4:12	653078	3:14; 12:18
651653	4:12	653082	5:09
651654	4:12	653083	5:10; 5:13
651661	4:11; 12:34	653084	3:12; 12:16
653000	5:10; 5:12	653085	3:12; 12:16
653001	5:10; 5:12	653086	3:13; 12:16
653002	5:10; 5:12	653087	5:10
653003	5:10	653088	5:10
653004	5:10	653089	3:15; 12:19
653005	5:10	653090	5:10
653006	5:10	653094	3:16; 12:20
653007	5:10	653095	5:04
653008	5:10	653096	5:04
653009	5:10	653097	5:04
653010	5:10	653098	3:12; 12:15
653011	5:10	653099	3:11; 12:15
653012	3:08; 12:31	653100	3:11; 12:15
653013	3:08; 12:12	653101	5:04
653014	3:08; 12:12	653102	5:04
653015	3:09; 12:13	653103	3:17; 12:20
653016	3:10; 12:13	653104	5:04
653022	5:07	653105	5:04; 5:07
653023	5:08	653106	3:05; 12:09
653024	5:08	653107	3:04; 12:08
653034	3:03	653108	5:04; 5:06
653035	3:03	653109	5:04
653045	3:04; 12:07	653110	5:04
653046	3:10; 12:14	653111	5:04; 5:05
653047	3:02; 12:06	653112	5:04
653049	3:15; 12:19	653113	5:04; 5:05
653050	3:05; 12:08	653114	5:04; 5:06
653051	3:06; 12:09	653115	5:10; 5:11
653052	3:03; 12:07	653116	5:10; 5:11
653054	3:11; 12:14	653117	5:10; 5:11
653055	3:10; 12:14	653118	5:10
653056	3:02; 12:06	653119	5:10; 5:13
653057	3:13; 12:17	653120	5:10
653062	3:16; 12:19	653121	5:10
653064	3:14; 12:17	653122	5:13
653065	3:14; 12:18	653123	3:07; 12:11
653066	3:13; 12:17	653124	3:09; 12:13
653069	3:02; 12:07	653125	3:07; 12:10
653070	5:09	653126	3:06; 12:10
653071	3:05; 12:09	653127	3:09; 12:12
653072	3:16; 12:20	653128	3:22
653073	3:04; 12:08	653130	3:22
653074	5:09	653131	3:07; 12:11
653075	3:06; 12:10	653132	3:22
653076	5:09	653133	3:21
653077	3:15; 12:18	653135	3:18

ITEM NUMBER	PAGE NUMBER
653136	3:17
653137	3:20
653138	3:20
653139	3:25
653140	3:25
653141	3:25
653142	3:24
653143	3:24
653144	3:30
653145	3:24
653146	3:30
653147	5:04
653148	3:33
653149	3:33
653153	3:28
653154	5:04
653155	5:04
653156	5:04
653158	3:31
653159	3:28
653160	3:29
653161	3:29
653162	3:28
653163	3:34
653164	3:33
653165	3:17
653166	5:09
653167	3:20
653168	3:31
653169	3:19
653170	5:09
653171	3:21
653172	5:09
653173	3:30
653174	3:29
653176	5:04
653176	5:04; 5:07
653177	3:34
653178	3:34
653180	5:09
653181	5:14; 5:17
653182	3:27
653183	3:27
653184	3:27
653185	5:14
653186	5:14
653188	5:14
653189	5:14
653190	5:14
653191	5:14

ITEM NUMBER	PAGE NUMBER
653192	3:32
653193	3:35
653194	3:35
653195	5:04
653196	5:04
653197	3:26
653198	3:26
653199	3:26
653200	3:32
653203	3:19
653204	3:19
653205	5:04; 5:06
653206	5:04
653207	5:04
653208	5:04; 5:05
653209	5:04
653210	5:04; 5:05
653211	5:04; 5:06
653212	5:14; 5:15
653213	5:14; 5:15
653214	5:14; 5:15
653218	5:14
653219	5:14; 5:17
653220	5:14
653221	5:14
653222	5:17
653223	5:14; 5:16
653224	5:14; 5:16
653225	5:14; 5:16
653226	5:14
653227	5:14
653228	5:14
653229	5:14
653230	5:14
653231	5:14
653232	5:14
653233	5:14
653234	5:14
653235	3:21
653243	3:32
653245	5:07
653246	5:08
653247	5:08
653257	3:18
653258	3:18
653268	3:36
653269	3:36
653270	3:38
653271	3:38
653272	3:36

Index

ITEM NUMBER	PAGE NUMBER	ITEM NUMBER	PAGE NUMBER
653273	3:37	655125	6:30
653274	3:37	655126	6:44
653275	3:37	655127	6:43
653291	3:35	655128	6:44
653292	3:23	655129	6:43
653293	3:23	655130	6:44
653294	3:23	655131	6:44
653298	5:18	655132	6:43
655000	6:25; 12:42	655133	6:43
655005	6:25	655135	6:44
655010	6:25; 12:42	655136	6:44
655015	6:25; 12:42	655137	6:37
655020	6:25; 12:42	655140	6:30
655025	6:25	655141	6:29
655030	6:25	655142	6:30
655035	6:25	655143	6:30
655040	6:25	655144	6:30
655045	6:25	655145	6:30
655050	6:09	655146	6:30
655053	6:06	655147	6:30
655057	6:09	655148	6:29
655058	6:05	655150	6:30
655059	6:05	655151	6:30
655060	6:05	655165	6:39
655061	6:06	655166	6:39
655067	6:07	655167	6:39
655068	6:06	655168	6:39
655077	6:04	655171	6:39
655078	6:04	655173	6:41
655081	6:05	655174	6:42
655082	6:05	655175	6:41
655083	6:05	655176	6:42
655085	6:07	655177	6:42
655087	6:08	655178	6:41
655095	6:27	655179	6:42
655096	6:27	655180	6:41
655103	6:07	655185	6:40
655104	6:25; 12:42	655186	6:40
655105	6:25; 12:42	655187	6:40
655106	6:25; 12:42	655188	6:12; 10:07
655107	6:25; 12:42	655189	6:12; 10:07
655108	6:25; 12:42	655190	6:12; 10:07
655109	6:25; 12:42	655191	6:12; 10:07
655117	6:08	655221	6:10; 6:11; 8:14
655118	6:07	655222	6:10; 6:11; 8:14
655120	6:43	655223	6:10; 6:11; 8:14
655121	6:43	655224	6:10; 6:11; 8:14
655122	6:44	655225	6:32
655123	6:43	655226	6:32
655124	6:43	655227	6:32

ITEM NUMBER	PAGE NUMBER
655228	6:32
655229	6:32
655230	6:32
655231	6:31
655232	6:31
655233	6:31
655234	6:31
655235	6:31
655236	6:31
655237	6:31
655238	6:33
655239	6:33
655240	6:33
655241	6:33
655242	6:33
655243	6:33
655244	6:33
655245	6:33
655246	6:33
655247	6:33
655248	6:33
655249	6:33
655250	6:35
655251	6:35
655252	6:35
655253	6:35
655254	6:34
655255	6:34
655256	6:30
655257	6:29
655258	6:29
655259	6:30
655260	6:43
655261	6:43
655262	6:43
655263	6:43
655264	6:44
655265	6:44
655266	6:44
655267	6:45
655268	6:45
655269	6:45
655270	6:45
655271	6:45
655272	6:46
655273	6:47
655274	6:45
655275	6:46
655276	6:47; 12:40
655277	6:46

ITEM NUMBER	PAGE NUMBER
655278	6:47
655279	6:36; 12:41
655280	6:36; 12:41
655281	6:36
655285	6:12
655286	6:14
655287	6:36
655288	6:14
655289	6:15
655291	6:15
655292	6:18
655293	6:18
655294	6:16
655295	6:16
655296	6:18
655297	6:18
655298	6:18; 6:19
655299	6:18; 6:19
655300	6:29
655301	6:30
655302	6:30
655303	6:29
655304	6:29
655307	6:30
655308	6:29
655316	6:21
655317	6:21
655318	6:21
655319	6:21
655323	6:18
655324	6:18
655325	6:18; 6:19
655326	6:18
655327	6:18
655328	6:18; 6:19
655329	6:16
655330	6:16
655331	6:28
655332	6:28
655333	6:28
655334	6:28
655335	6:28
655336	6:28
655337	6:28
655338	6:28
655339	6:28
655340	6:28
655341	6:28
655342	6:28
655343	6:17

Index

ITEM NUMBER	PAGE NUMBER	ITEM NUMBER	PAGE NUMBER
655344	6:17	655437	6:20
655345	6:17	655438	6:20
655346	6:17	655439	6:20
655347	6:19	655440	6:20
655348	6:19	655441	6:20
655349	6:19	655442	6:20
655350	6:19	655443	6:20
655351	6:19	655444	6:20
655352	6:19	655445	6:20
655353	6:19	655446	6:20
655354	6:19	655447	6:20
655355	6:24	655448	6:20
655356	6:24	655449	6:20
655357	6:24	655450	6:20
655358	6:24	655451	6:20
655359	6:24	655452	6:21
655360	6:24	655453	6:21
655361	6:24	655454	6:21
655362	6:24	655455	6:21
655363	6:24	655457	6:21
655364	6:24	655458	6:38
655365	6:24	655459	6:38
655366	6:24	655460	6:38
655367	6:24	655461	6:38
655368	6:24	655462	6:38
655369	6:24	655463	6:38
655370	6:24	655464	6:38
655371	6:24	655465	6:38
655372	6:24	655471	6:08
655373	6:24	655472	6:11; 8:15
655374	6:24	655473	6:11; 8:15
655375	6:24	655474	6:11; 8:15
655380	6:24	655475	6:11; 8:15
655381	6:24	655476	6:11; 8:15
655382	6:24	655477	6:11; 8:15
655383	6:24	655478	6:11; 8:15
655384	6:24	655479	6:11; 8:15
655424	6:20	655480	6:11; 8:15
655425	6:20	655481	6:11; 8:15
655426	6:20	655509	6:27
655427	6:20	655510	6:27
655428	6:20	655511	6:27
655429	6:20	655512	6:27
655430	6:20	655513	6:27
655431	6:20	655514	6:27
655432	6:20	655515	6:27
655433	6:20	655516	6:27
655434	6:20	655541	6:26
655435	6:20	655542	6:26
655436	6:20	655543	6:26

ITEM NUMBER	PAGE NUMBER
655544	6:26
655545	6:26
655546	6:26
655547	6:26
655548	6:26
655549	6:26
655550	6:26
655551	6:26
655552	6:26
655553	6:26
655554	6:26
655555	6:26
655556	6:26
655557	6:26
655634	6:41
655638	6:13
655639	6:13
655640	6:13
655641	6:13
655658	6:44
655659	6:44
655660	6:44
655662	6:43; 12:38
655663	6:43; 12:38
655664	6:43
655665	6:44
655679	6:04
655680	6:04
655681	6:14
655690	6:20
655691	6:20
655695	6:20
655760	6:13
655761	6:13
655762	6:13; 6:25
655763	6:15
655764	6:29
655765	6:30
655767	12:43
655768	6:03
655769	6:06
655770	6:03
655771	6:03
655772	6:04
655773	6:03
655774	6:03
655775	12:42
655776	12:42
655779	12:37
655782	6:39

ITEM NUMBER	PAGE NUMBER
655783	12:36
655784	6:41
655786	12:37
655789	6:39
655790	12:36
655792	6:41
655794	12:37
655798	12:36
655801	6:41
655802	12:37
655804	6:41
655806	12:37
655808	6:39
655812	6:41
655814	12:37
655815	4:09
655869	12:36
657000	9:03
657001	9:03
657002	9:03
657004	9:03
657005	9:03
657008	9:04
657010	9:04
657011	9:05
657012	9:05
657014	9:02
657015	9:02
657022	9:03
657023	9:03
657024	9:03
657025	9:03
657030	9:02
657031	9:03
657032	9:03
657033	9:03
657034	9:03
657035	9:02
657036	9:04
657037	9:05
657038	9:05
657039	9:05
657040	9:05
657041	9:05
657042	9:05
657043	9:04
657054	6:09
657055	8:02
657056	8:02
657057	8:04

Index

ITEM NUMBER	PAGE NUMBER
657058	8:04
657059	8:03
657060	8:03
657079	8:14
657080	8:14
657081	8:14
657082	8:14
657083	8:14
657087	6:09
657092	8:05
657093	8:05
657095	8:07
657096	8:07
657097	8:06
657098	8:06
657106	8:14
657107	8:14
657108	8:14
657133	8:17
657134	8:17
657135	8:17
657136	8:17
657137	8:17
657138	8:17
657139	8:17
657140	8:17
657143	9:04
657144	9:04
657145	9:04
657146	9:04
657147	8:13
657148	8:12
657149	8:13
657150	8:08
657151	8:08
657152	8:09
657153	8:09
657154	8:10
657155	8:10
657156	8:11
657157	8:11
657158	8:12
657169	6:09
659000	10:03
659001	10:03
659002	10:03
659003	10:03
659004	10:03
659005	10:03
659006	10:03

ITEM NUMBER	PAGE NUMBER
659007	10:03
659008	10:03
659009	10:03
659010	10:03
659011	10:03
659012	7:02
659013	7:02
659014	7:02
659015	7:02
659016	7:02
659017	7:02
659018	7:02
659019	7:04
659020	7:02
659021	7:06
659022	7:06
659023	7:03
659024	7:03
659025	7:03
659026	7:03
659027	7:03
659028	7:03
659029	7:03
659030	7:04
659031	7:06
659033	7:06
659035	7:06
659044	7:05
659045	7:05
659046	7:05
659047	7:05
659049	7:05
659050	7:05
659051	7:05
659052	7:05
659054	12:42
659055	12:42
659057	12:42
659059	12:24
659060	12:22
659062	6:43
660000	
660000	11:05
660001	11:05
660002	11:05
660003	11:05
660004	11:05
660005	11:05
660006	11:05

ITEM NUMBER	PAGE NUMBER
660007	11:05
660008	11:05
660009	11:06
660010	11:06
660011	11:06
660012	11:06
660013	11:05
660014	11:06
660015	11:06
660016	11:06
660017	11:06
660018	11:06
660019	11:06
660020	11:08
660021	11:08
660022	11:08
660023	11:08
660024	11:06
660025	11:06
660026	11:06
660027	11:06
660028	11:07
660029	11:07
660030	11:06
660031	11:06
660032	11:06
660033	11:06
660034	11:06
660035	11:06
660036	11:06
660037	11:06
660038	11:09
660039	11:09
660040	11:06
660041	11:09
660042	11:09
660043	11:09
660044	11:09
660046	11:09
660047	11:09
660049	11:09
660050	11:09
660053	11:09
660054	11:09
660055	11:09
660056	11:09
660058	11:09
660060	11:10
660061	11:10
660062	11:10

ITEM NUMBER	PAGE NUMBER
660063	11:10
660086	11:12
660088	11:11
660089	11:11
660092	8:16
660093	8:16
660094	11:12
660095	11:12
660096	11:11
660097	11:11
660098	11:11
660099	11:11
660105	11:07
660106	11:07
660107	11:07
660108	11:07
660109	11:07
660110	11:07
660111	11:07
660112	11:09
660113	11:09
660114	11:09
660115	11:09
660116	11:09
660129	11:05
660146	12:39
660159	11:07
662001	4:06; 12:31
662002	4:06; 12:31
662005	4:09
662008	10:04
662009	10:04
662010	10:04
662011	10:04
662012	10:04
662013	10:04
662014	10:04
662015	10:04
662016	10:04
662017	10:04
662018	10:04
662019	10:04
662020	10:04
662021	10:04
662022	10:04
662023	10:04
662024	10:04
662025	10:04
662026	10:04
662027	10:04

Index

ITEM NUMBER	PAGE NUMBER	ITEM NUMBER	PAGE NUMBER
662028	10:04	662090	10:06
662029	10:04	662091	10:06
662030	10:02	662092	10:06
662031	10:02	662093	10:06
662034	10:02	662094	10:06
662035	10:02	662095	10:06
662036	10:02	662096	10:06
662037	10:02	662097	10:06
662040	10:02	662098	10:06
662042	10:02	662099	10:06
662043	10:02	662100	10:06
662044	10:02	662101	10:06
662047	10:02	662102	10:06
662049	10:02	662103	10:06
662051	10:02	662104	10:04
662052	10:02	662105	10:04
662053	10:02	662106	10:04
662054	10:02	662107	10:04
662055	10:02	662108	10:05
662056	10:02	662109	10:05
662057	10:02	662110	10:05
662060	10:02	662111	10:05
662061	10:02	662112	10:02
662062	10:02	662114	10:05
662063	10:02	662115	10:05
662064	10:02	662116	10:05
662065	10:02	662117	10:05
662066	10:02	662118	10:02
662067	10:02	662119	10:02
662068	10:02	662120	10:02
662069	10:02	662121	10:02
662070	10:02	662122	10:02
662071	10:02	662124	10:02
662072	10:02	662131	10:02
662073	10:02	662132	10:07
662075	4:09	662133	10:07
662076	10:02	662134	10:04
662077	10:02	662135	10:04
662078	10:04	662136	10:04
662079	10:04	662137	10:04
662080	10:05	662138	10:04
662081	10:05	662139	10:04
662082	10:05	662140	10:04
662083	10:05	662141	10:04
662084	10:02	662142	10:02
662085	10:02	662143	10:02
662086	10:06	662144	10:02
662087	10:06	662145	10:02
662088	10:07	662146	10:02
662089	10:07	662147	10:02

ITEM NUMBER	PAGE NUMBER
662148	10:04
662154	10:02
664000	12:24
664001	12:22
664002	12:23
664004	12:22
664005	12:21
664006	12:21
664007	12:21
664016	12:40
664027	12:23
664029	12:26
664031	12:39
664032	12:23
664039	6:16
664041	12:25
664043	12:39
664044	12:39
664045	12:39
664046	12:39
664047	12:39
664049	12:24
664050	12:25
664051	12:26
664053	12:26
664054	12:27
664057	12:25
664058	12:38
664059	12:38
664060	12:38
664061	12:38
664062	12:38
664063	12:38
664064	12:38
664065	12:38
664066	6:18
664067	12:41
664068	12:41
664083	6:06
664084	5:02; 12:43
664085	5:02; 12:43
664086	5:03
664087	5:03
664088	12:43
664089	12:43
664110	12:43
664111	12:30
664112	12:30
664113	12:30
664114	4:06; 12:30

ITEM NUMBER	PAGE NUMBER
664115	4:06; 12:30
664116	4:06; 12:30
690000	
699955	4:14



T S L O T S

What do you want to build today?®

800.824.2049 Toll Free • 877.777.5753 Toll Free Fax

www.tslots.com



FUTURA INDUSTRIES
RELIABLE. RESPONSIVE.

PO Box 160350 • Bldg H-11 Freeport Center • Clearfield, UT 84016-0350
801.773.6282 • 800.824.2049 *toll free* • 800.722.3226 *toll free fax* • www.tslots.com