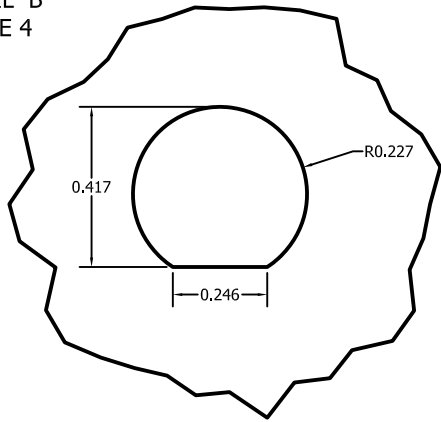
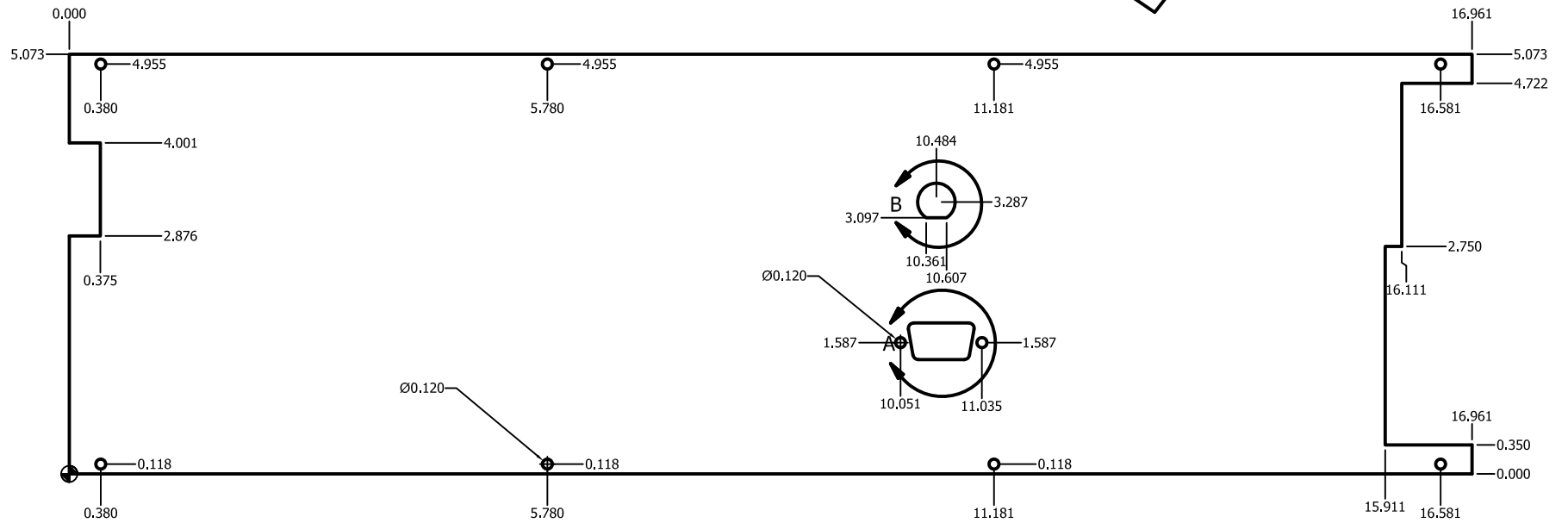
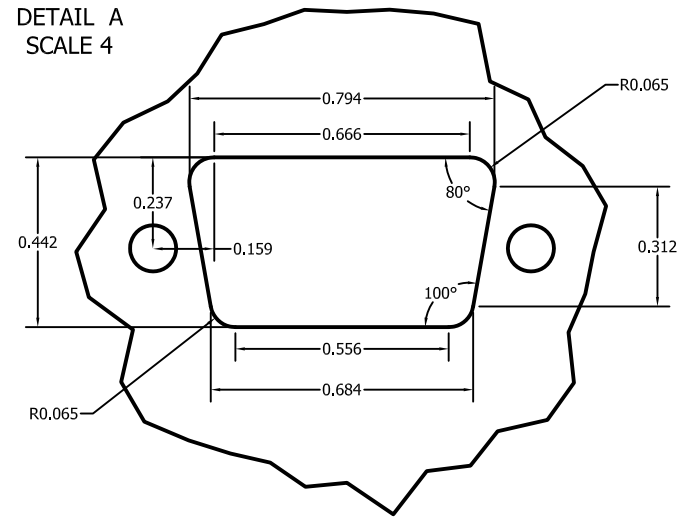


DETAIL B  
SCALE 4



DETAIL A  
SCALE 4



thickness:  $\frac{1}{16}$ "

DRAWN Jason Gran	4/12/2010	University of Virginia Elementary Particle Physis	
CHECKED Craig Dukes		TITLE	
QA		NOVA PDB: Back Panel	
MFG		SIZE C	DWG NO pdb_back_panel_v3.1_rev3
APPROVED		REV 3	
units: in		SCALE	SHEET 1 OF 1