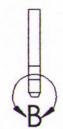


| VERSION | DESCRIPTION | DIM "A" | QTY. |
|---------|------------------|---------|------|
| 1 | 24 Volt Bus Bar | 0.625 | 1 |
| 2 | 3.3 Volt Bus Bar | 1.125 | 1 |
| 3 | Ground Bus Bar | 1.625 | 1 |

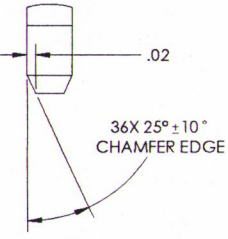
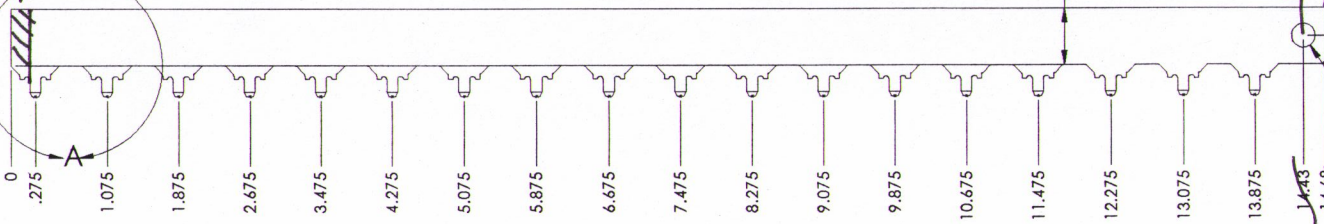
.125 nominal REMOVE

A ±.01
SEE CHART FOR DETAILS

.350
A/2 ±.01
.350
φ.266 THRU
.278 ±.010
14.35
14.2
13.85
13.815
13.85

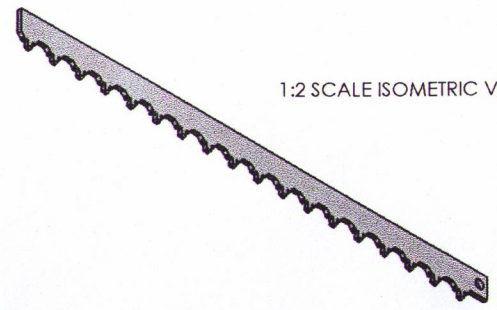
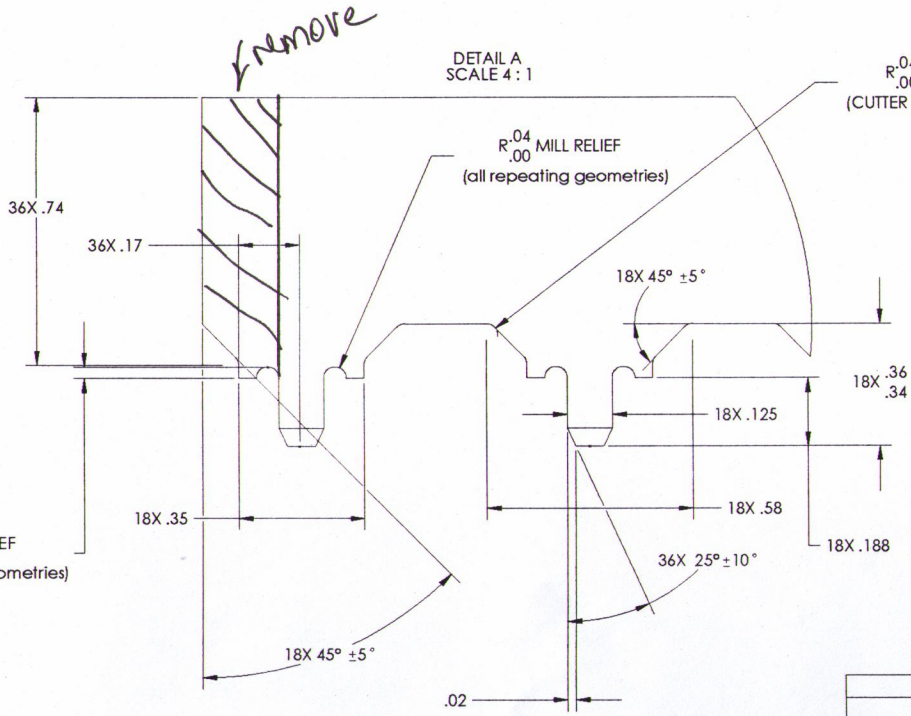


DETAIL B
SCALE 4:1



Can be simply rounded if easier

DETAIL A
SCALE 4:1



1:2 SCALE ISOMETRIC VIEW

PROPRIETARY AND CONFIDENTIAL
THE INFORMATION CONTAINED IN THIS DRAWING IS THE SOLE PROPERTY OF THE UNIVERSITY OF VIRGINIA DEPARTMENT OF PHYSICS. ANY REPRODUCTION IN PART OR AS A WHOLE WITHOUT THE WRITTEN PERMISSION OF THE UNIVERSITY OF VIRGINIA DEPARTMENT OF PHYSICS IS PROHIBITED.

| | | | | |
|--------------------------------------|--|-------------------------------------------------------------------------------------|--------|------------------------------------|
| UNLESS OTHERWISE SPECIFIED: | | NAME | DATE | TITLE: |
| DIMENSIONS ARE IN INCHES | | S. RUSSO | 2/9/10 | |
| TOLERANCES | | | | PDB_Busbar v3.1 (version short) |
| FRACTIONAL ± | | | | |
| ANGULAR MATCH ± 1 BEND ± | | | | |
| TWO PLACE DECIMAL ± 01 | | | | |
| THREE PLACE DECIMAL ± 005 | | | | SIZE DWG. NO. REV |
| MTC APPR | | | | |
| INTERPRET GEOMETRIC TOLERANCING PER: | | | | SCALE: 1:1 WEIGHT: SHEET 1 OF 1 |
| MATERIAL: COPPER | | | | |
| FINISH: | | | | |
| NEXT ASSY: | | | | |
| USED ON: | | | | |
| APPLICATION: | | DO NOT SCALE DRAWING | | |
| | | COMMENTS: For questions contact Scott Russo, Mech. Engr. at rs4q@virginia.edu | | |

| VERSION | DESCRIPTION | DIM "A" | QTY. |
|---------|------------------|---------|------|
| 1 | 24 Volt Bus Bar | 0.625 | 12 |
| 2 | 3.3 Volt Bus Bar | 1.125 | 12 |
| 3 | Ground Bus Bar | 1.625 | 1 |

.125 nominal remove

A ±.01
SEE CHART FOR DETAILS

A/2 ±.01
A/2
.350
2X Ø.266 THRU
.298 ±.010
14.33
13.85
14.650
15.45
15.2

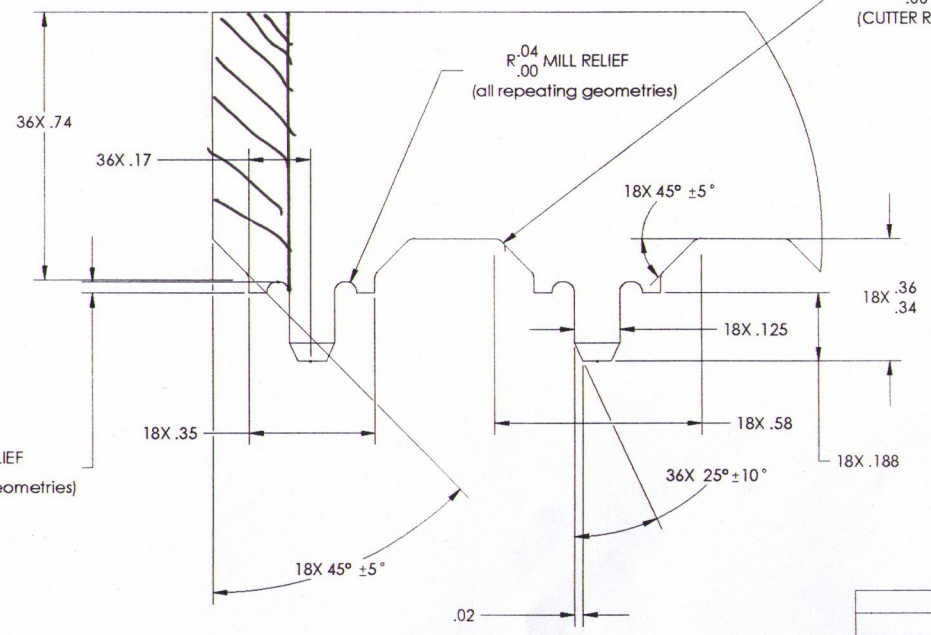
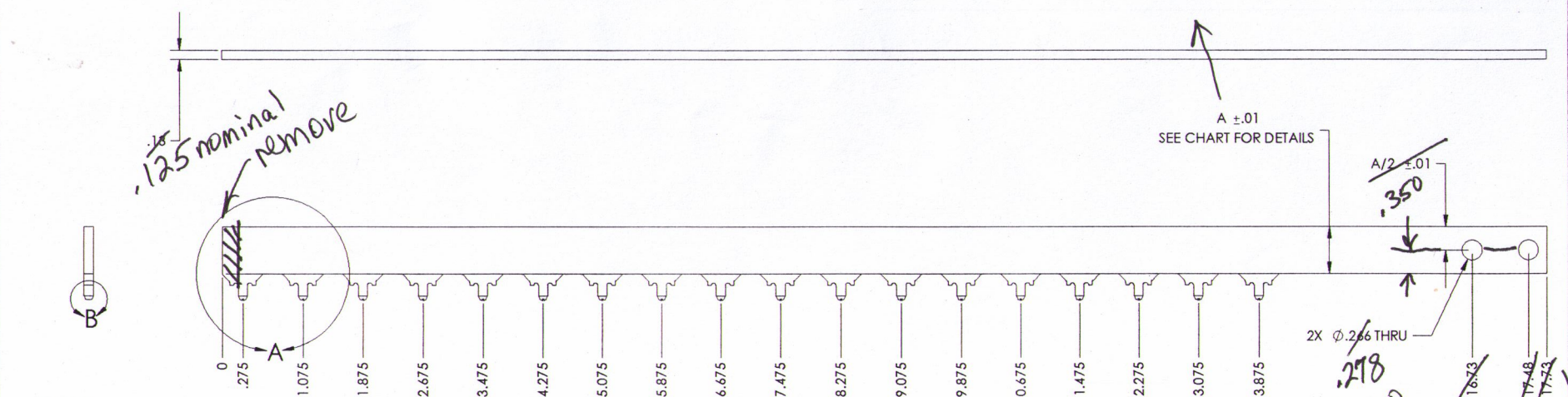
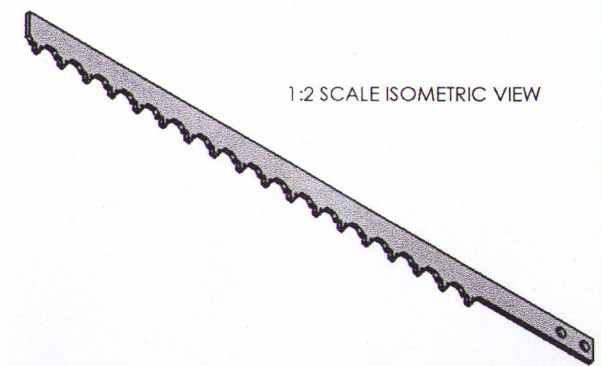
DETAIL B
SCALE 4:1

DETAIL A
SCALE 4:1

1:2 SCALE ISOMETRIC VIEW

Can be rounded if easier

Remove



PROPRIETARY AND CONFIDENTIAL
THE INFORMATION CONTAINED IN THIS DRAWING IS THE SOLE PROPERTY OF THE UNIVERSITY OF VIRGINIA DEPARTMENT OF PHYSICS. ANY REPRODUCTION IN PART OR AS A WHOLE WITHOUT THE WRITTEN PERMISSION OF THE UNIVERSITY OF VIRGINIA DEPARTMENT OF PHYSICS IS PROHIBITED.

| | | | |
|--------------------------------------|--|------------------------------------------------|----------------------|
| UNLESS OTHERWISE SPECIFIED: | | NAME | DATE |
| DIMENSIONS ARE IN INCHES | | S. RUSSO | 2/9/10 |
| TOLERANCES | | TITLE: | |
| FRACTIONS ± | | PDB_Busbar v3.1 (version long) | |
| ANGULAR: MACH ±1 BEND ± | | SIZE | DWG. NO. |
| TWO PLACE DECIMAL ±01 | | C | pdb_busbar_long_v3.1 |
| THREE PLACE DECIMAL ±.005 | | SCALE: 1:4 | WEIGHT: |
| DIFFERENT GEOMETRIC TOLERANCING PER: | | COMMENTS | REV |
| MATERIAL: COPPER | | For questions contact Scott Russo, Mech. Engr. | 1 |
| NEXT ASSY: USED ON: | | at rsr4q@virginia.edu | SHEET 1 OF 1 |
| APPLICATION: DO NOT SCALE DRAWING: | | | |