

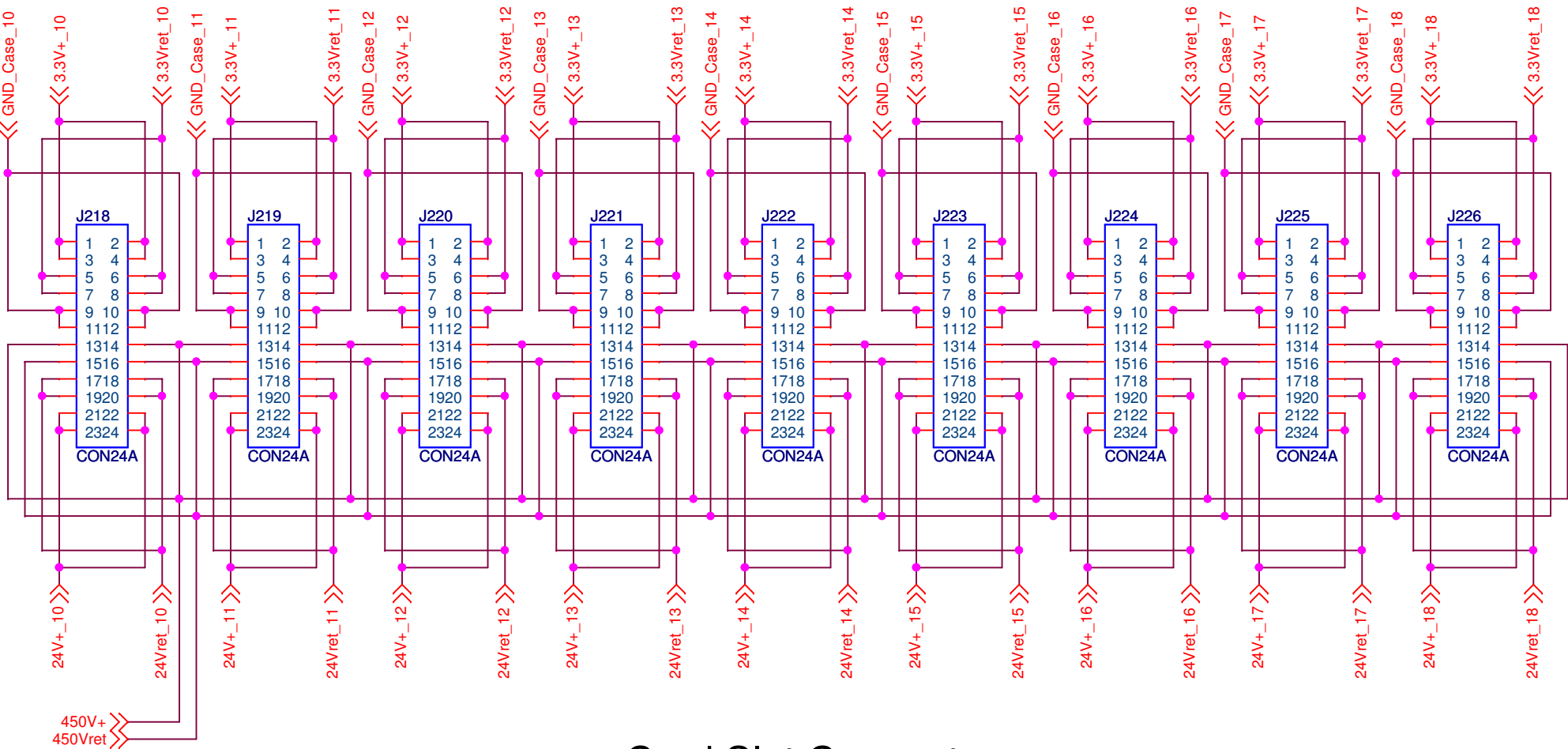
⊗ = Do Not Place

University of Virginia Physics Dept.
382 McCormick Rd, Charlottesville, VA 22904

Title
PDB Backplane Left Half for NOVA Project

Size A	Drawn By Stephen Goadhouse, 434-982-5594, sgd6h@virginia.edu	Rev 3.1
-----------	---	------------

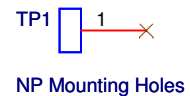
Date: Friday, November 06, 2009 Sheet 1 of 2



Card Slot Connectors

Trace Current Capacity

3.3V+	8A (per slot)
24V+	4A (per slot)
24V+ DCM	4A
450V+	1mA



University of Virginia Physics Dept. 382 McCormick Rd, Charlottesville, VA 22904		
Title PDB Backplane Right Half for NOvA Project		
Size A	Drawn By Stephen Goadhouse, 434-982-5594, sgd6h@virginia.edu	Rev 3.1
Date:	Friday, November 06, 2009	Sheet 2 of 2