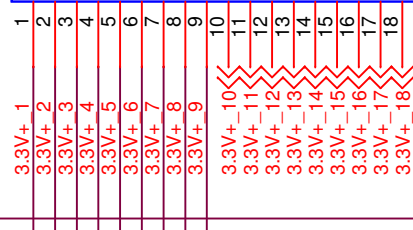
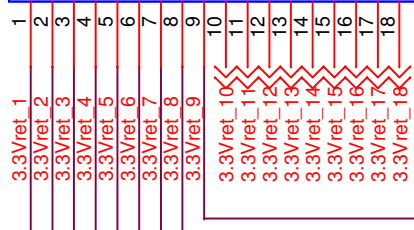
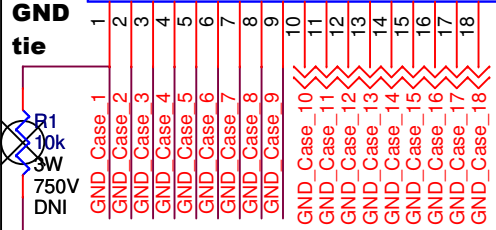
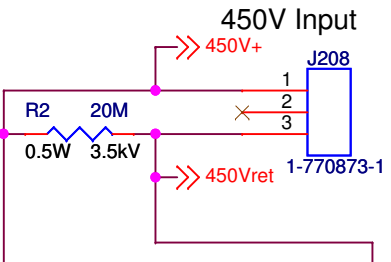


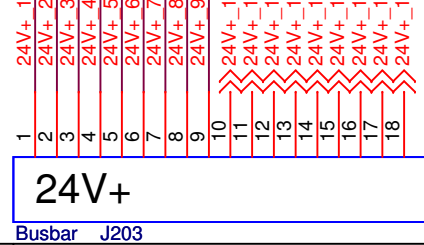
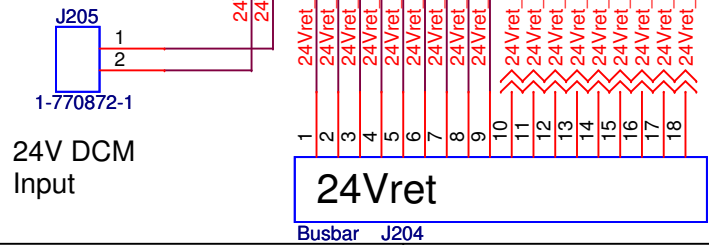
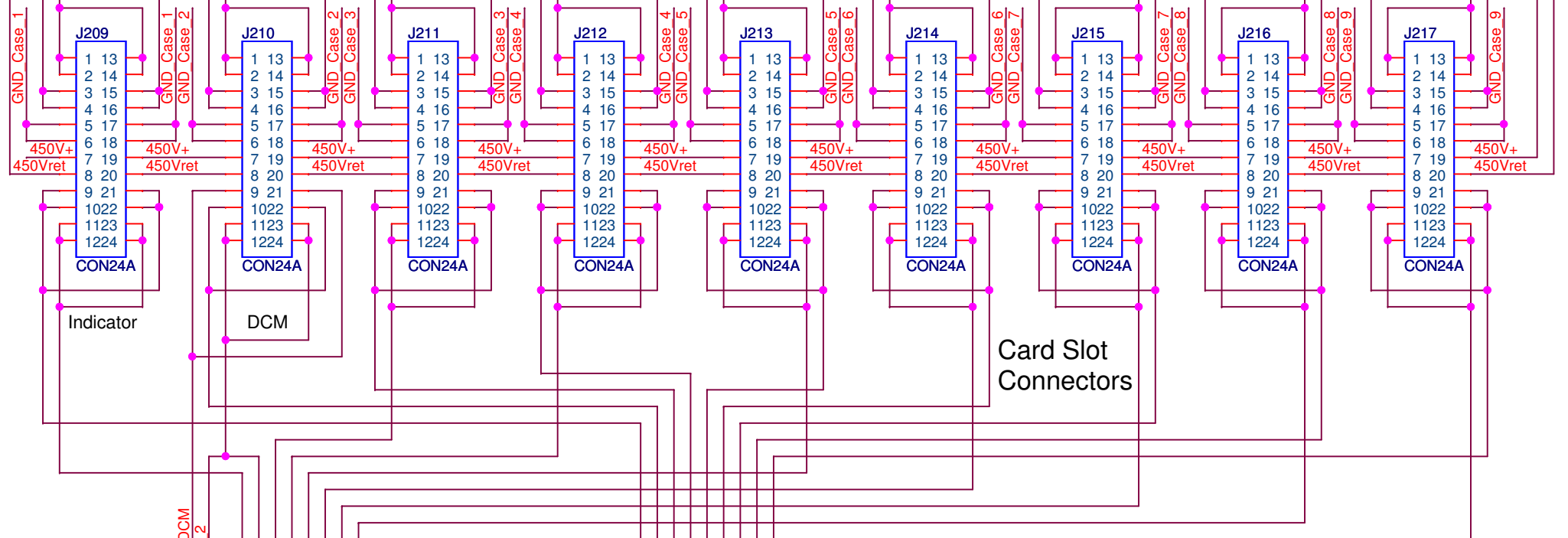
Busbar J207  
**GND\_Case**

Busbar J202  
**3.3Vret**

Busbar J201  
**3.3V+**



Pin 1 on bottom



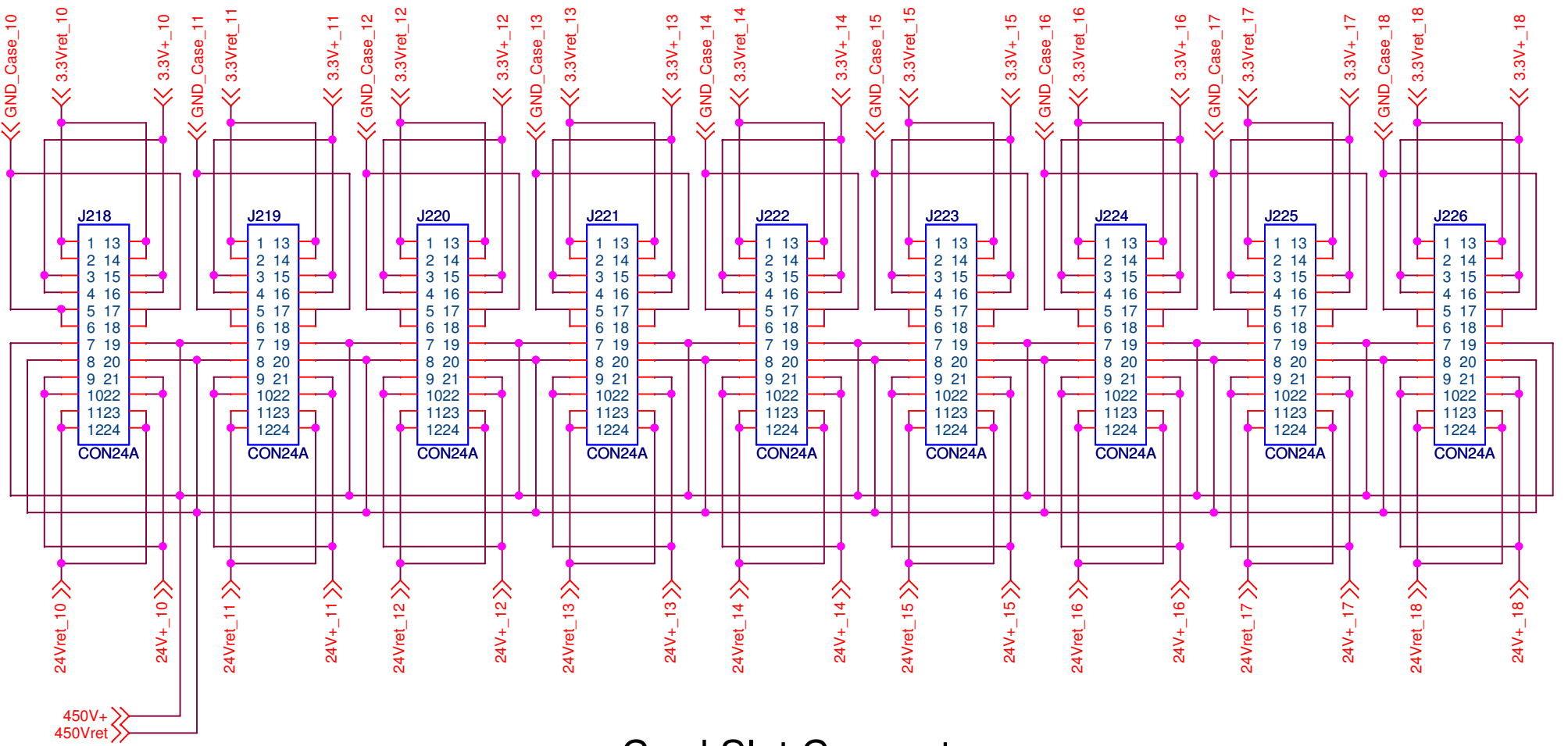
⊗ = Do Not Place

University of Virginia Physics Dept.  
 382 McCormick Rd, Charlottesville, VA 22904

Title: **PDB Backplane Left Half for NOVA Project**

Size A	Drawn By Stephen Goadhouse, 434-982-5594, sdg6h@virginia.edu	Rev 3.1
--------	---	------------

Date: Tuesday, January 19, 2010 Sheet 1 of 2



## Card Slot Connectors

### Trace Current Capacity

GND_Case	24A (per slot)
3.3V+	16A (per slot)
24V+	8A (per slot)
24V+ DCM	11A
450V+	1mA

University of Virginia Physics Dept. 382 McCormick Rd, Charlottesville, VA 22904		
Title <b>PDB Backplane Right Half for NOvA Project</b>		
Size A	Drawn By Stephen Goadhouse, 434-982-5594, sgd6h@virginia.edu	Rev 3.1
Date:	Tuesday, January 19, 2010	Sheet 2 of 2