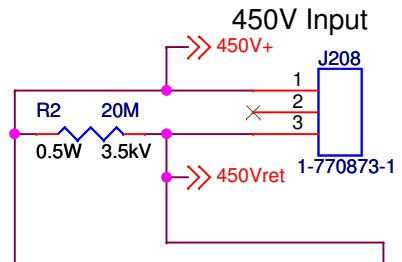
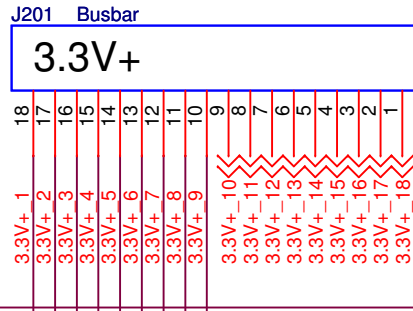
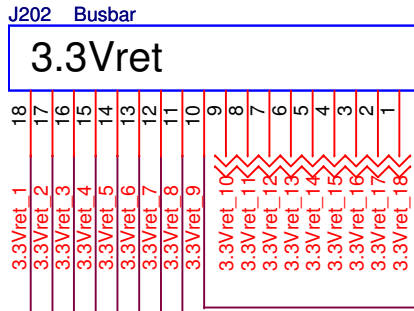
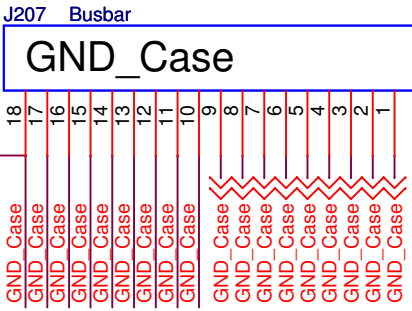
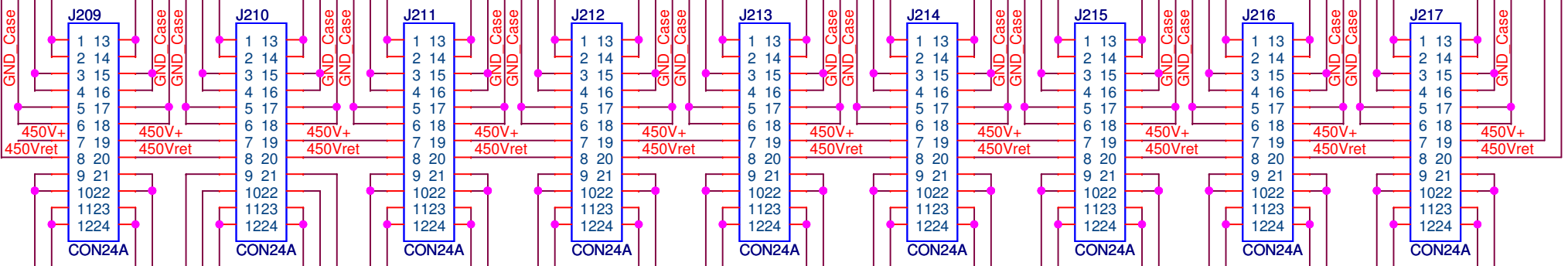


GND tie
R1 10k 3W 750V DNI



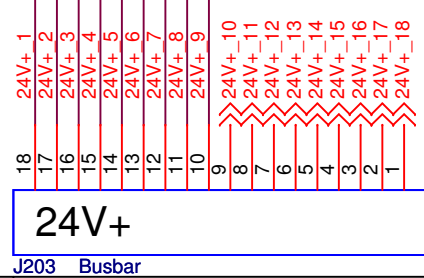
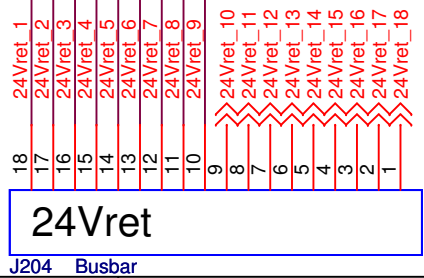
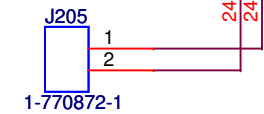
Pin 1 on bottom



Indicator

DCM

Card Slot Connectors



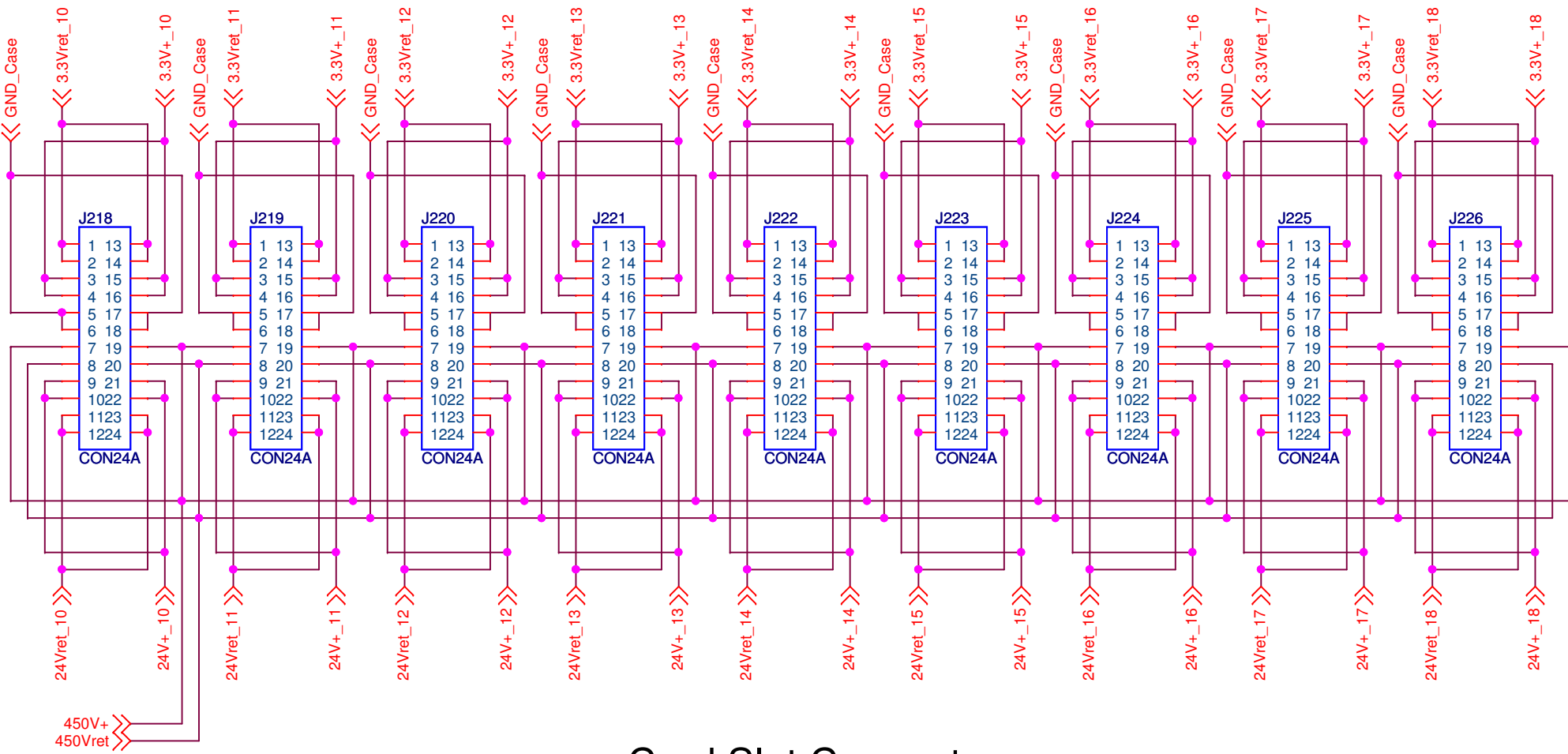
⊗ = Do Not Place

University of Virginia Physics Dept.
382 McCormick Rd, Charlottesville, VA 22904

Title: **PDB Backplane Left Half for NOvA Project**

Size A	Drawn By Stephen Goadhouse, 434-982-5594, sgd6h@virginia.edu	Rev 3.1
--------	---	------------

Date: Tuesday, January 26, 2010 Sheet 1 of 2



Card Slot Connectors

Trace Current Capacity

GND_Case	24A (per slot)
3.3V+	16A (per slot)
24V+	8A (per slot)
24V+ DCM	11A
450V+	0.010A

University of Virginia Physics Dept. 382 McCormick Rd, Charlottesville, VA 22904		
Title PDB Backplane Right Half for NOvA Project		
Size A	Drawn By Stephen Goadhouse, 434-982-5594, sgd6h@virginia.edu	Rev 3.1
Date:	Tuesday, January 26, 2010	Sheet 2 of 2