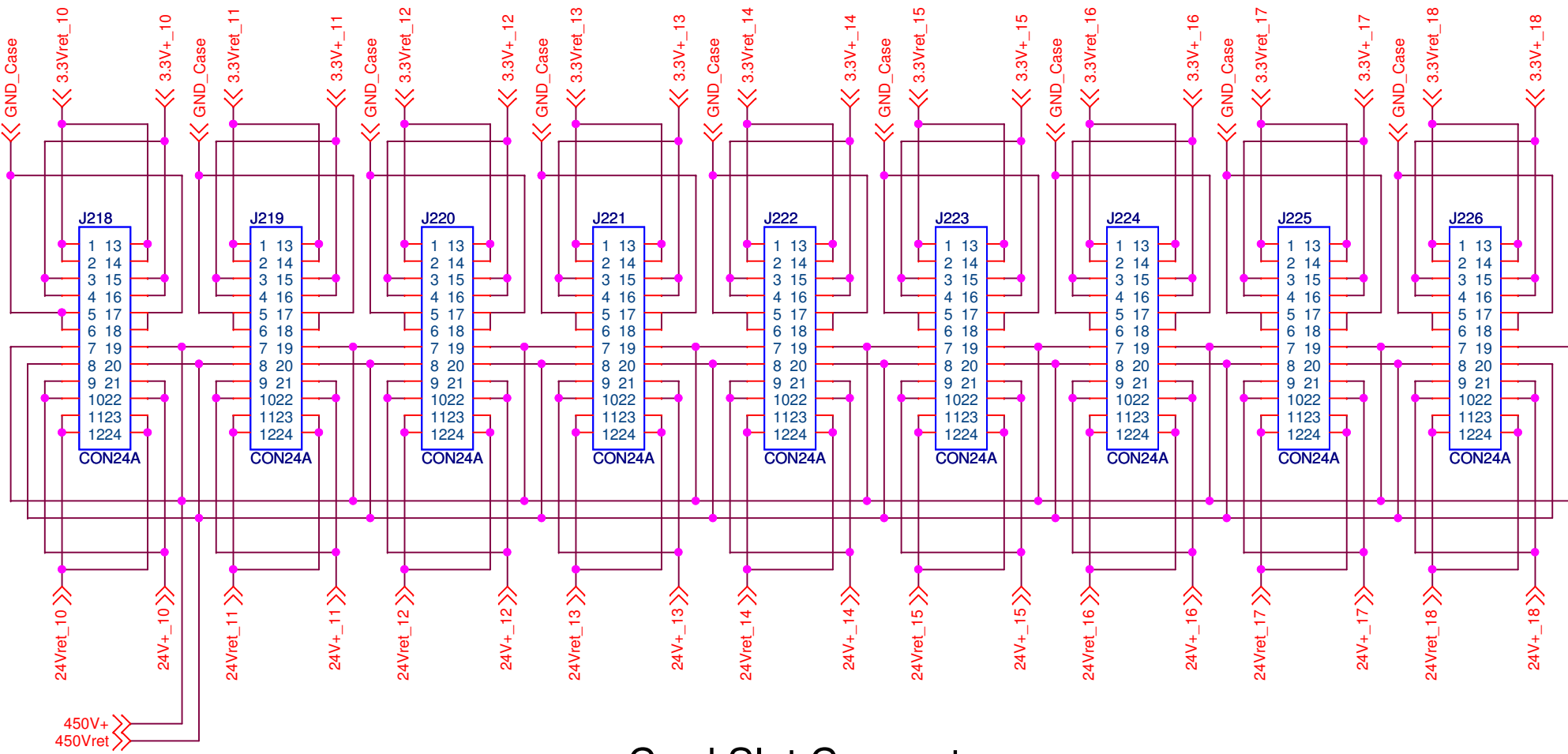


⊗ = Do Not Place

University of Virginia Physics Dept.  
382 McCormick Rd, Charlottesville, VA 22904

Title		
PDB Backplane Left Half for NOvA Project		
Size	Drawn By	Rev
A	Stephen Goadhouse, 434-982-5594, sgd6h@virginia.edu	3.2
Date:	Monday, April 26, 2010	Sheet 1 of 2



## Card Slot Connectors

### Trace Current Capacity

GND_Case	24A (per slot)
3.3V+	16A (per slot)
24V+	8A (per slot)
24V+ DCM	11A
450V+	0.010A

*NOTE: R1 on sheet 1 uses a 3W resistor footprint, at one time for Vishay PR03000201002JAC00, but is now a jumper. It can either be the 0 ohm resistor in the BOM or a simple wire.*

University of Virginia Physics Dept. 382 McCormick Rd, Charlottesville, VA 22904		
Title <b>PDB Backplane Right Half for NOvA Project</b>		
Size A	Drawn By Stephen Goadhouse, 434-982-5594, sgd6h@virginia.edu	Rev 3.2
Date: Monday, April 26, 2010	Sheet 2 of 2	