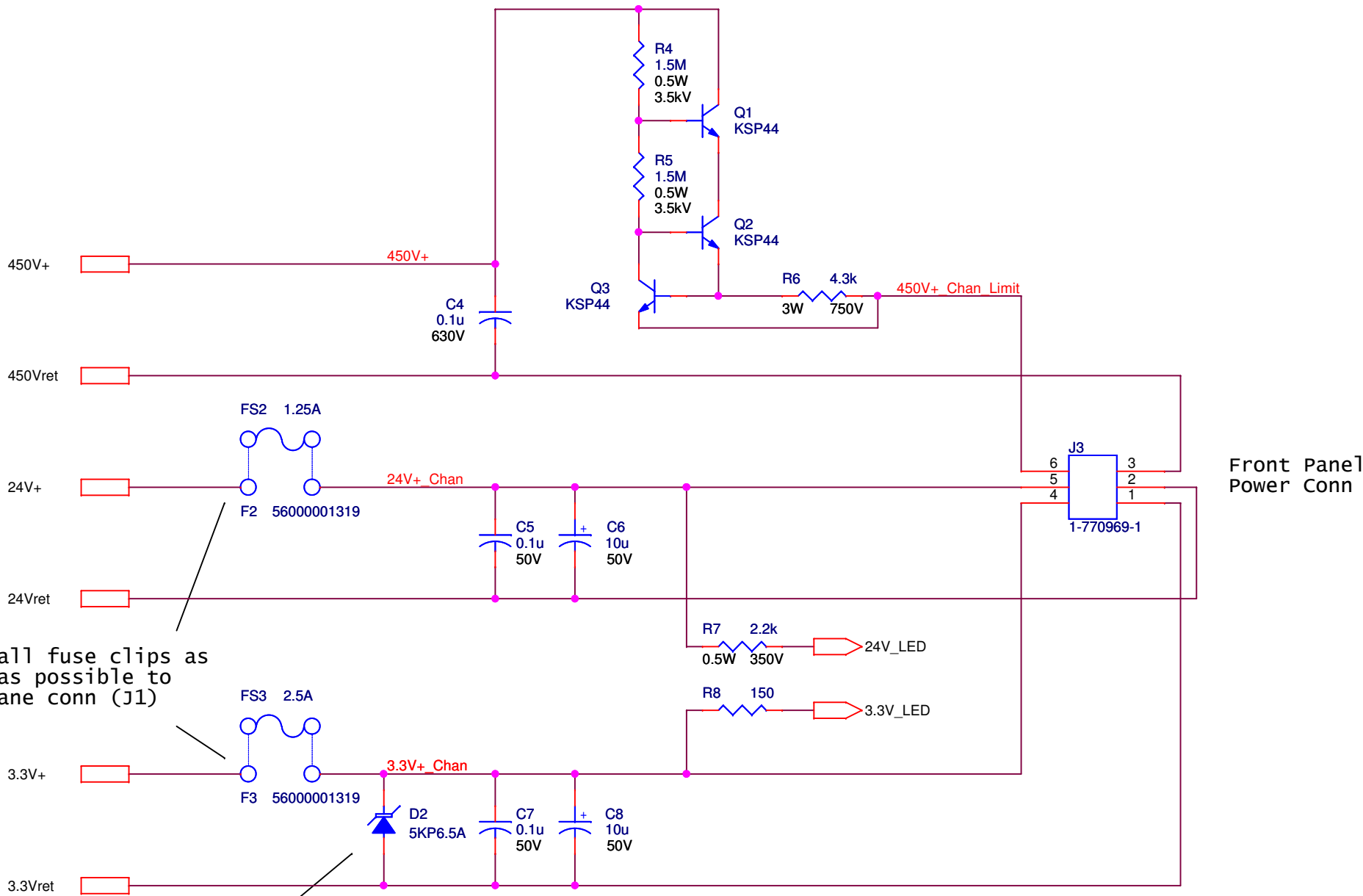


Combine single yellow LED with SU1 to create Right Angle version.

University of Virginia Physics Dept. 382 McCormick Rd, Charlottesville, VA 22904		
Title PDB DCM Card for NOvA Project		
Size A	Document Number <Doc>	Rev 3.1
Date: Friday, October 30, 2009	Sheet 1	of 3

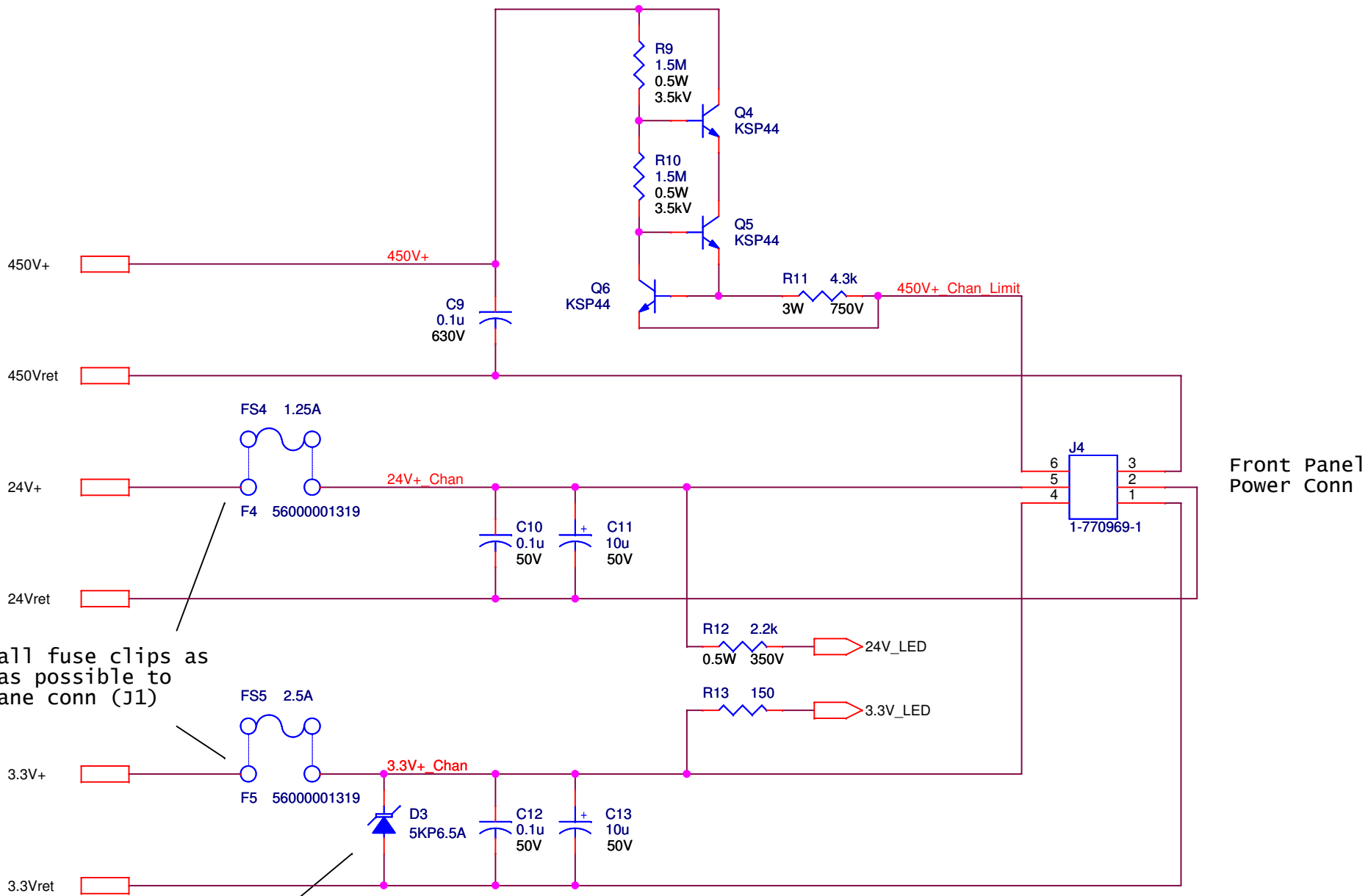


Place all fuse clips as close as possible to backplane conn (J1)

Place TVS as close as possible to fuse clip.

University of Virginia Physics Dept.
382 McCormick Rd, Charlottesville, VA 22904

Title		
PDB Power Channel for NOVA Project		
Size	Document Number	Rev
A	<Doc>	3.1
Date:	Friday, October 30, 2009	Sheet 2 of 3



Place all fuse clips as close as possible to backplane conn (J1)

Place TVS as close as possible to fuse clip.

University of Virginia Physics Dept. 382 McCormick Rd, Charlottesville, VA 22904		
Title PDB Power Channel for NOVA Project		
Size A	Document Number <Doc>	Rev 3.1
Date:	Friday, October 30, 2009	Sheet 3 of 3