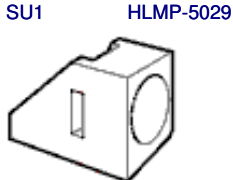


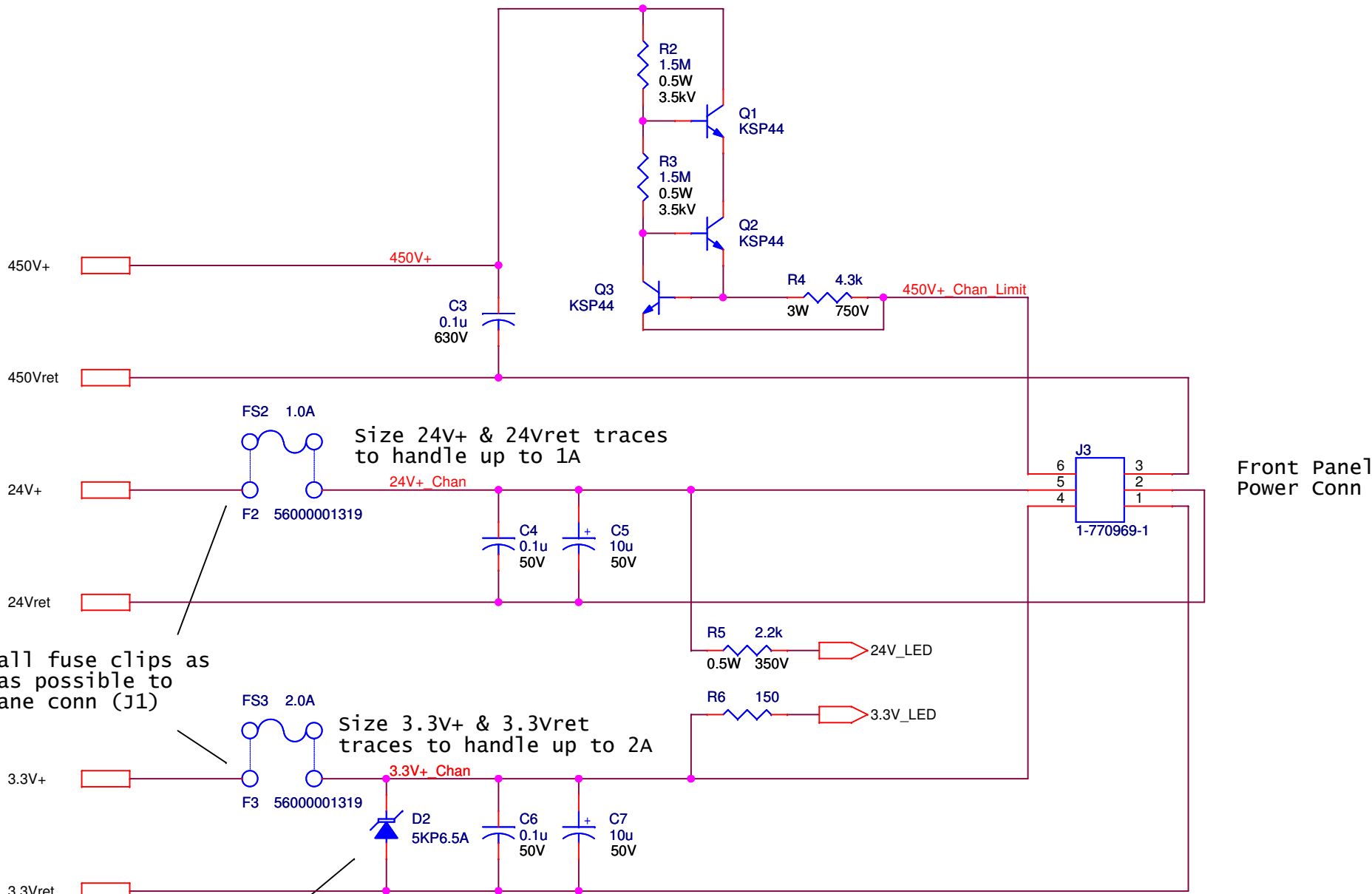
Verify LED footprint such that pin 1 is top/yellow anode.

Combine single yellow LED with SU1 to create Right Angle version.



Size 24V+_DCM* & 24Vret_DCM traces to handle up to 4.0A

| | | |
|---|---|------------|
| University of Virginia Physics Dept. 382 McCormick Rd, Charlottesville, VA 22904 | | |
| Title PDB DCM Card for NOvA Project | | |
| Size A | Drawn By Stephen Goadhouse, 434-982-5594, sgd6h@virginia.edu | Rev 3.1 |
| Date: Monday, November 23, 2009 | Sheet 1 | of 3 |



Size 24V+ & 24Vret traces to handle up to 1A

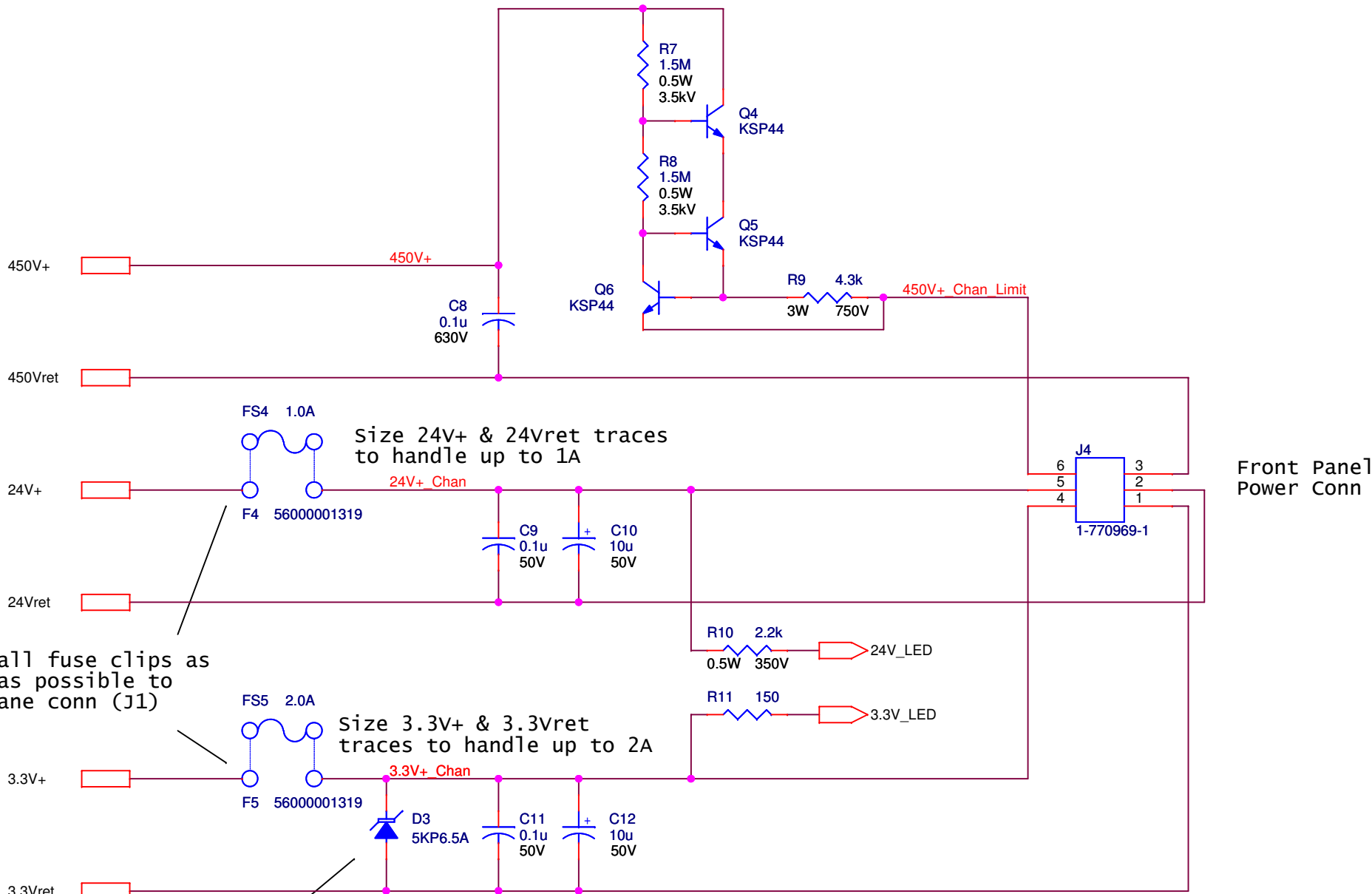
Size 3.3V+ & 3.3Vret traces to handle up to 2A

Place all fuse clips as close as possible to backplane conn (J1)

Place TVS as close as possible to fuse clip.

/Chan1

| | | |
|---|---|--------------|
| University of Virginia Physics Dept. 382 McCormick Rd, Charlottesville, VA 22904 | | |
| Title PDB DCM Card for NOvA Project | | |
| Size A | Drawn By Stephen Goadhouse, 434-982-5594, sgd6h@virginia.edu | Rev 3.1 |
| Date: | Monday, November 23, 2009 | Sheet 2 of 3 |



Size 24V+ & 24Vret traces to handle up to 1A

Size 3.3V+ & 3.3Vret traces to handle up to 2A

Place all fuse clips as close as possible to backplane conn (J1)

Place TVS as close as possible to fuse clip.

/Chan2

| | | |
|---|---|--------------|
| University of Virginia Physics Dept. 382 McCormick Rd, Charlottesville, VA 22904 | | |
| Title PDB DCM Card for NOvA Project | | |
| Size A | Drawn By Stephen Goadhouse, 434-982-5594, sgd6h@virginia.edu | Rev 3.1 |
| Date: | Monday, November 23, 2009 | Sheet 3 of 3 |