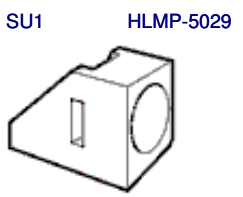


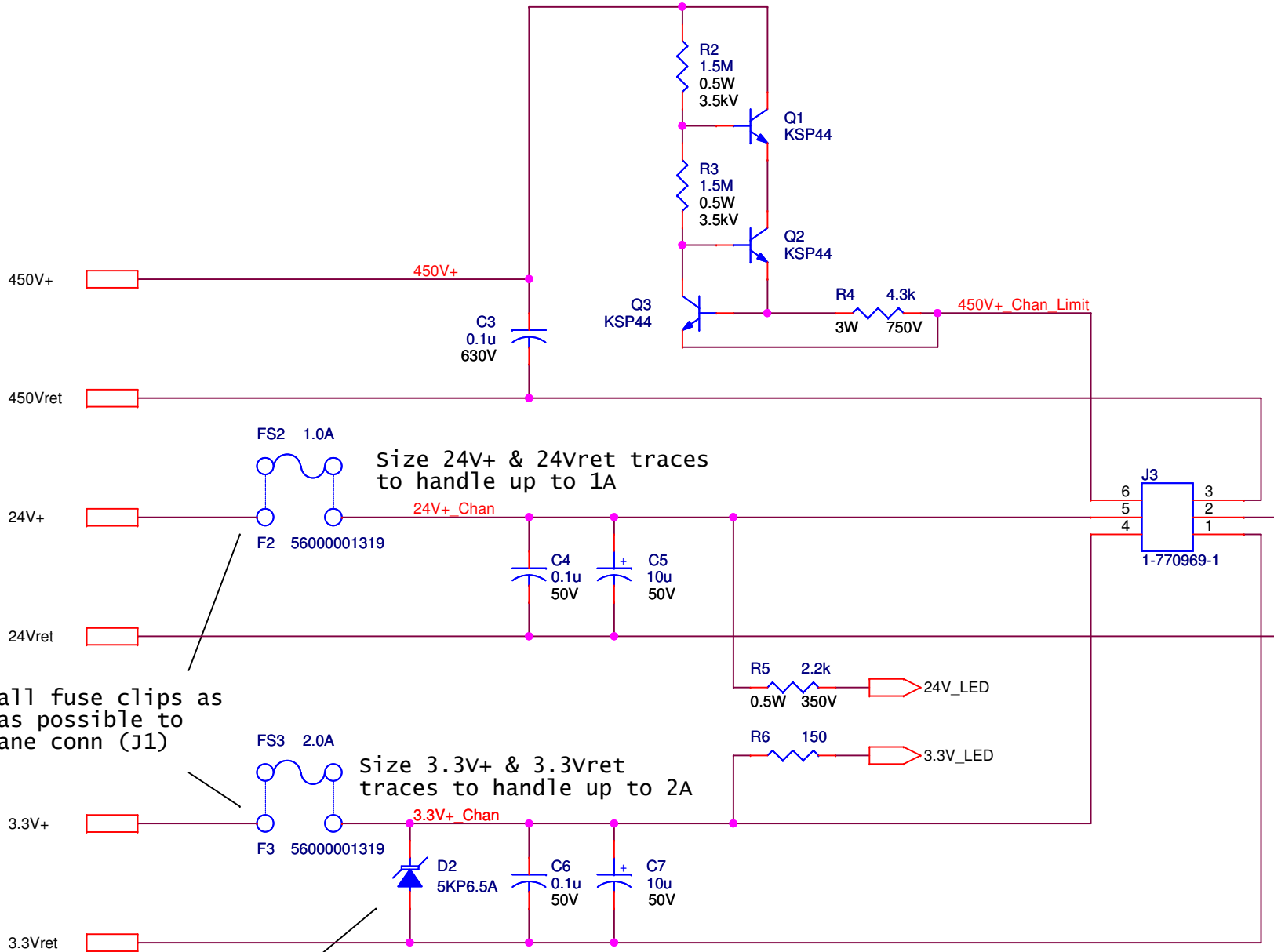
Verify LED footprint such that pin 1 is top/yellow anode.

Combine single yellow LED with SU1 to create Right Angle version.



Size 24V+\_DCM\* & 24Vret\_DCM traces to handle up to 4.0A

University of Virginia Physics Dept. 382 McCormick Rd, Charlottesville, VA 22904		
Title <b>PDB DCM Card for NOvA Project</b>		
Size A	Drawn By Stephen Goadhouse, 434-982-5594, sgd6h@virginia.edu	Rev 3.1
Date: Tuesday, December 01, 2009	Sheet 1	of 3



Size 24V+ & 24Vret traces to handle up to 1A

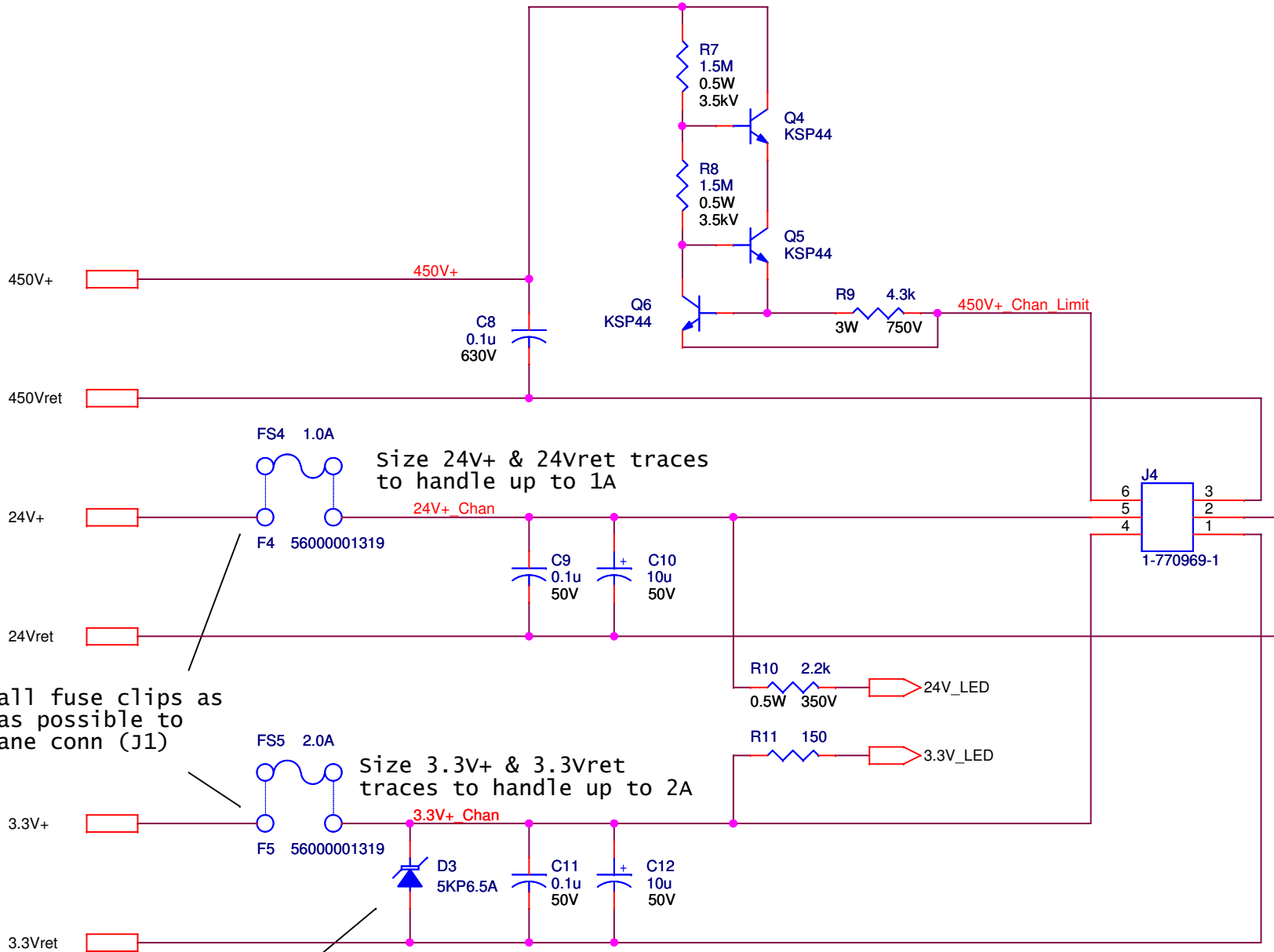
Size 3.3V+ & 3.3Vret traces to handle up to 2A

Place all fuse clips as close as possible to backplane conn (J1)

Place TVS as close as possible to fuse clip.

/Chan1

University of Virginia Physics Dept. 382 McCormick Rd, Charlottesville, VA 22904		
Title <b>PDB DCM Card for NOvA Project</b>		
Size A	Drawn By Stephen Goadhouse, 434-982-5594, sgd6h@virginia.edu	Rev 3.1
Date:	Tuesday, December 01, 2009	Sheet 2 of 3



Size 24V+ & 24Vret traces to handle up to 1A

Size 3.3V+ & 3.3Vret traces to handle up to 2A

Place all fuse clips as close as possible to backplane conn (J1)

Place TVS as close as possible to fuse clip.

/Chan2

University of Virginia Physics Dept. 382 McCormick Rd, Charlottesville, VA 22904		
Title <b>PDB DCM Card for NOvA Project</b>		
Size A	Drawn By Stephen Goadhouse, 434-982-5594, sgd6h@virginia.edu	Rev 3.1
Date:	Tuesday, December 01, 2009	Sheet 3 of 3