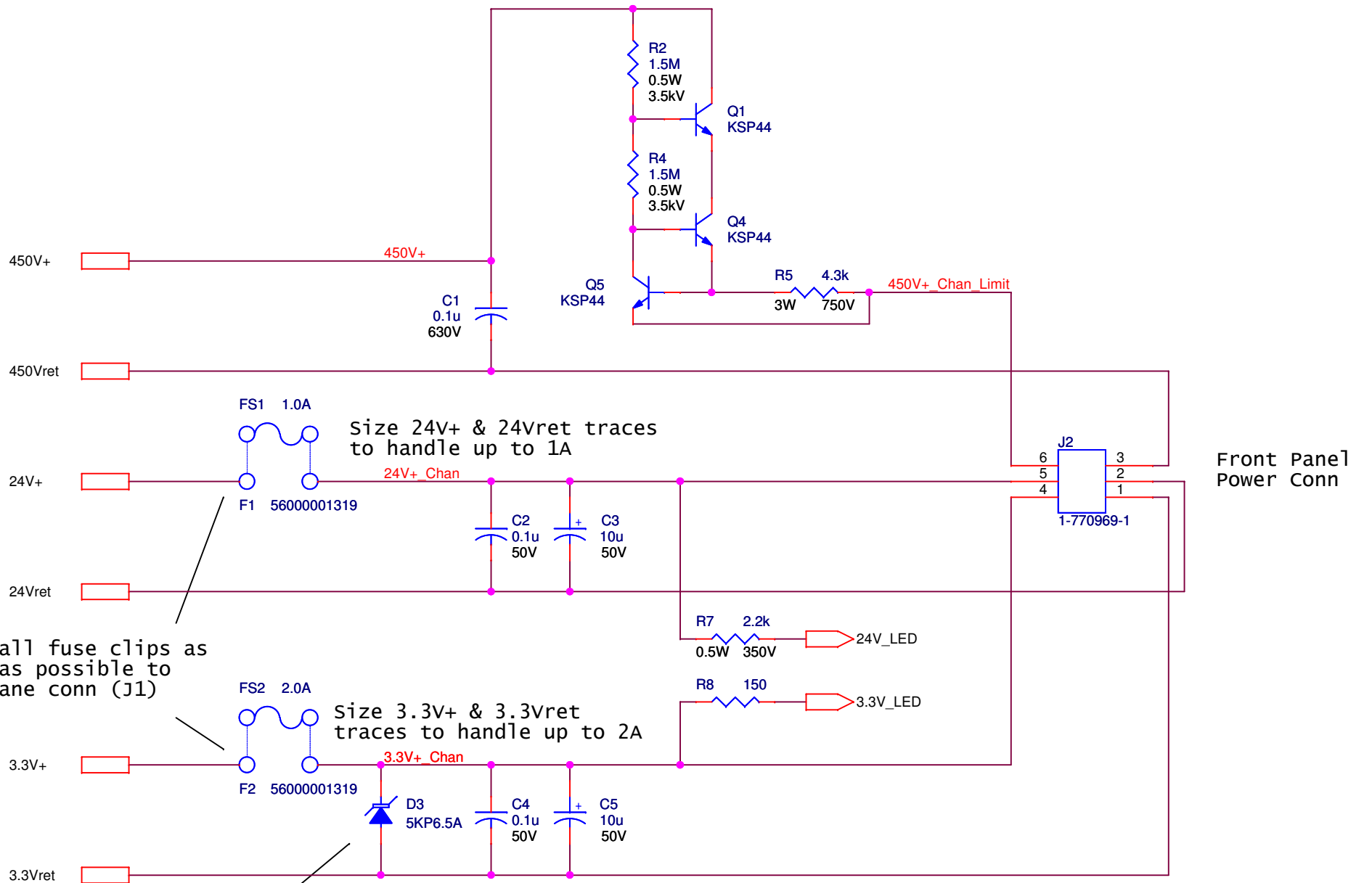


Verify LED footprint such that pin 1 is top/yellow anode.

University of Virginia Physics Dept. 382 McCormick Rd, Charlottesville, VA 22904		
Title PDB FEB Card for NOvA Project		
Size A	Drawn By Stephen Goadhouse, 434-982-5594, sdg6h@virginia.edu	Rev 3.1
Date: Friday, November 06, 2009	Sheet 1	of 5

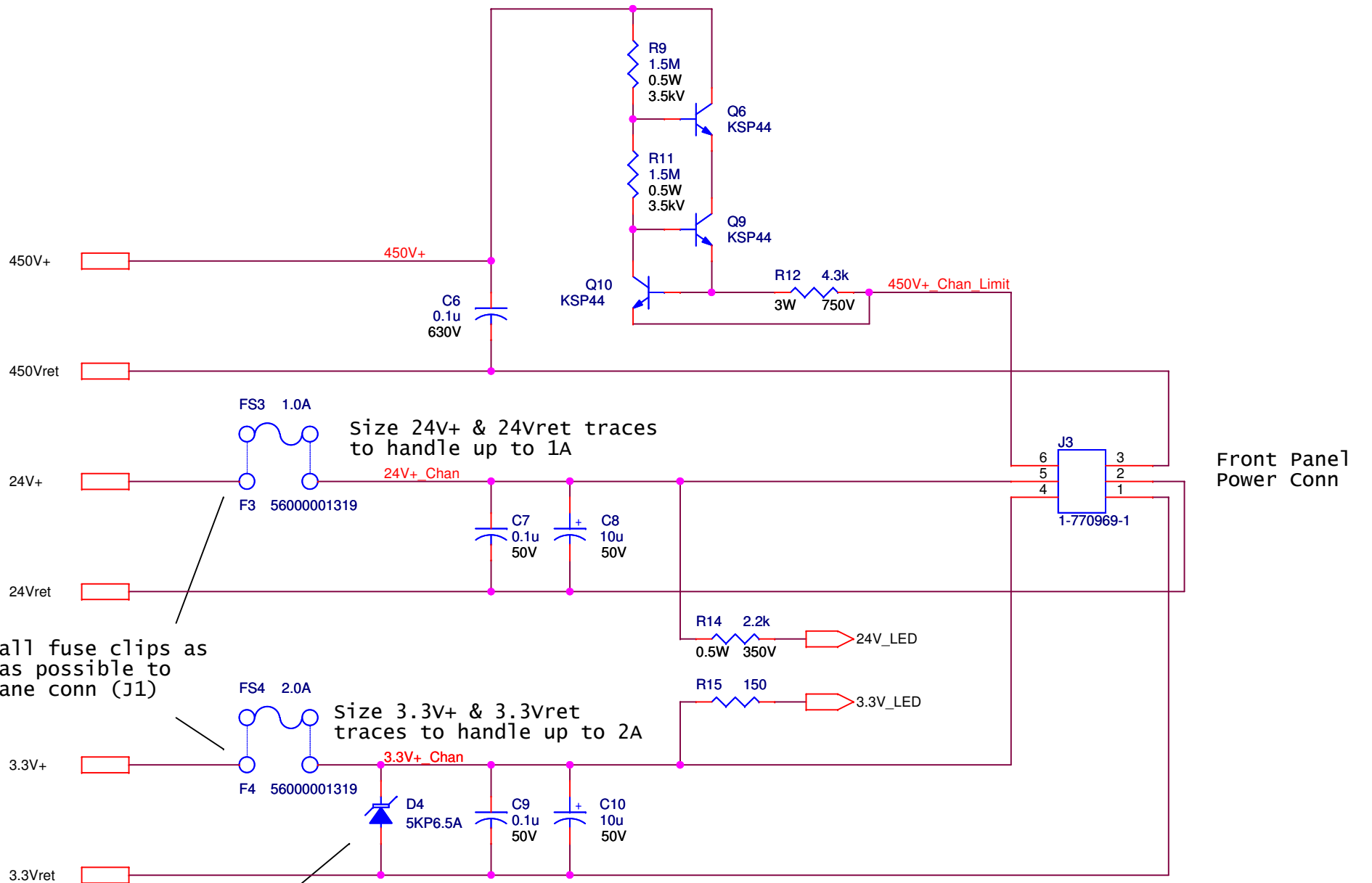


Place all fuse clips as close as possible to backplane conn (J1)

Place TVS as close as possible to fuse clip.

/Chan1

University of Virginia Physics Dept. 382 McCormick Rd, Charlottesville, VA 22904		
Title PDB FEB Card for NOvA Project		
Size A	Drawn By Stephen Goadhouse, 434-982-5594, sdg6h@virginia.edu	Rev 3.1
Date:	Friday, November 06, 2009	Sheet 2 of 5



Place all fuse clips as close as possible to backplane conn (J1)

Place TVS as close as possible to fuse clip.

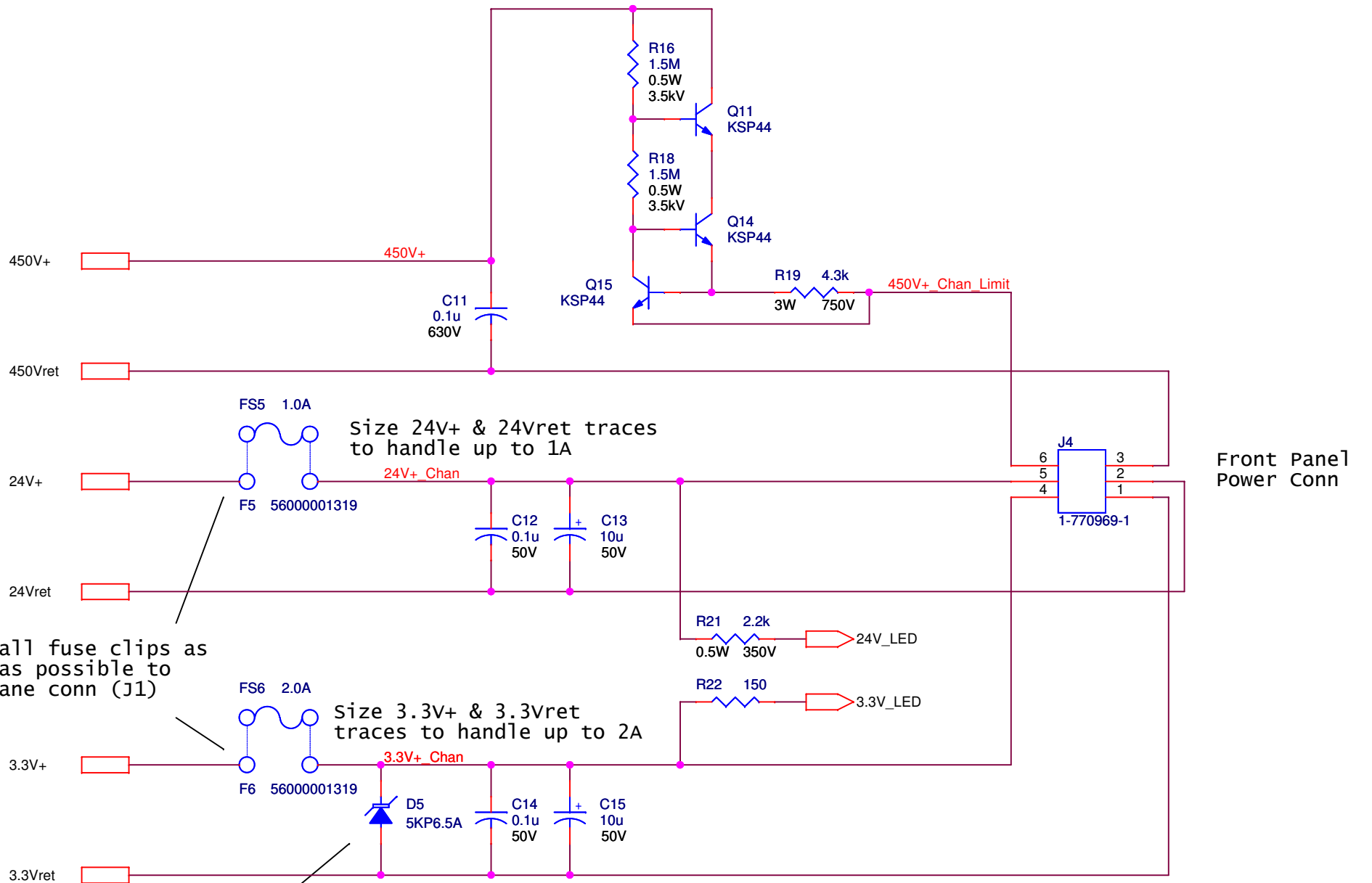
Size 24V+ & 24Vret traces to handle up to 1A

Size 3.3V+ & 3.3Vret traces to handle up to 2A

Front Panel Power Conn

/Chan2

University of Virginia Physics Dept. 382 McCormick Rd, Charlottesville, VA 22904		
Title PDB FEB Card for NOvA Project		
Size A	Drawn By Stephen Goadhouse, 434-982-5594, sdg6h@virginia.edu	Rev 3.1
Date:	Friday, November 06, 2009	Sheet 3 of 5



Size 24V+ & 24Vret traces to handle up to 1A

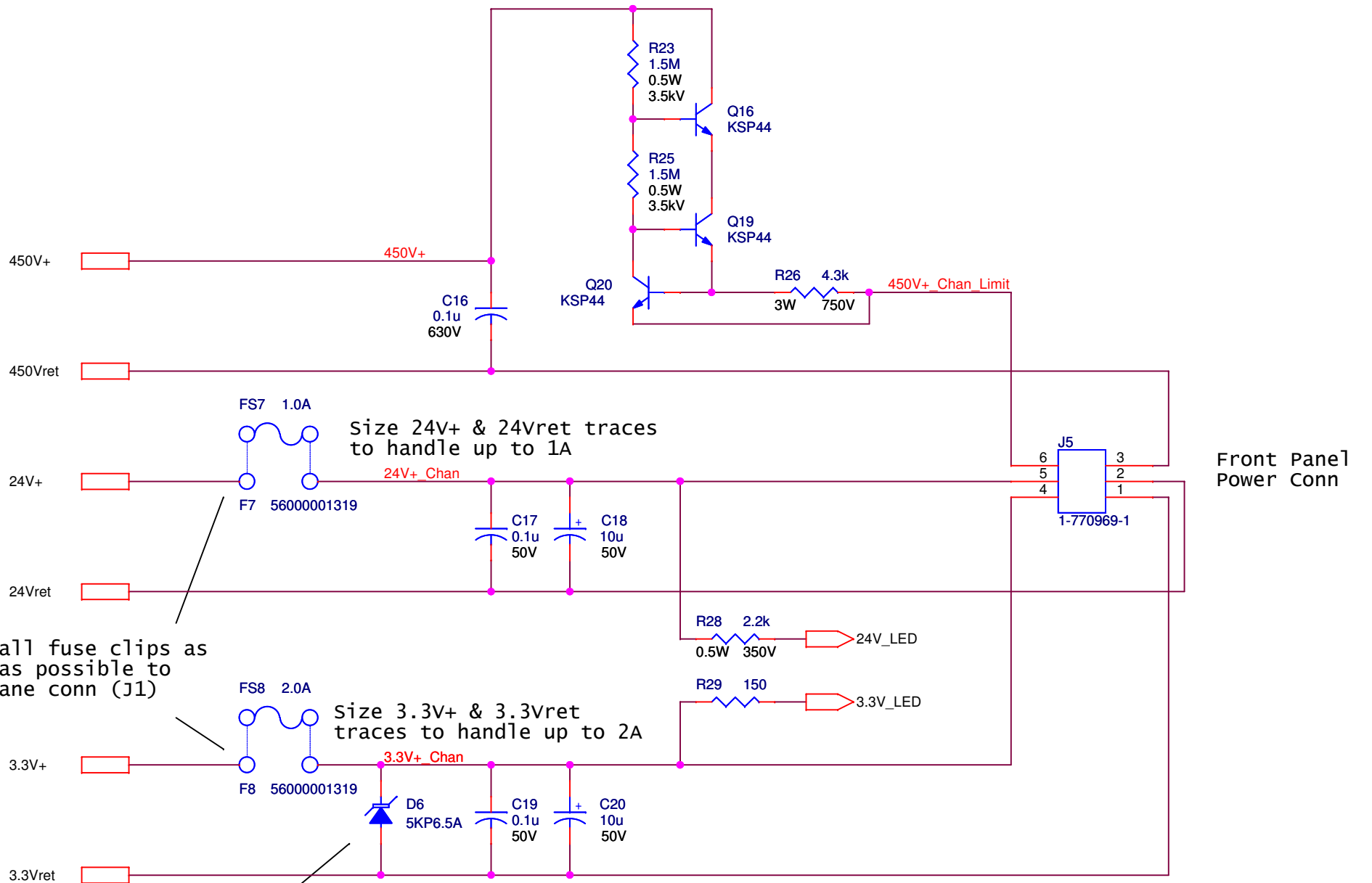
Place all fuse clips as close as possible to backplane conn (J1)

Size 3.3V+ & 3.3Vret traces to handle up to 2A

Place TVS as close as possible to fuse clip.

/Chan3

University of Virginia Physics Dept. 382 McCormick Rd, Charlottesville, VA 22904		
Title PDB FEB Card for NOvA Project		
Size A	Drawn By Stephen Goadhouse, 434-982-5594, sdg6h@virginia.edu	Rev 3.1
Date:	Friday, November 06, 2009	Sheet 4 of 5



Size 24V+ & 24Vret traces to handle up to 1A

Place all fuse clips as close as possible to backplane conn (J1)

Size 3.3V+ & 3.3Vret traces to handle up to 2A

Place TVS as close as possible to fuse clip.

Front Panel Power Conn

/Chan4

University of Virginia Physics Dept. 382 McCormick Rd, Charlottesville, VA 22904		
Title PDB FEB Card for NOvA Project		
Size A	Drawn By Stephen Goadhouse, 434-982-5594, sdg6h@virginia.edu	Rev 3.1
Date:	Friday, November 06, 2009	Sheet 5 of 5