

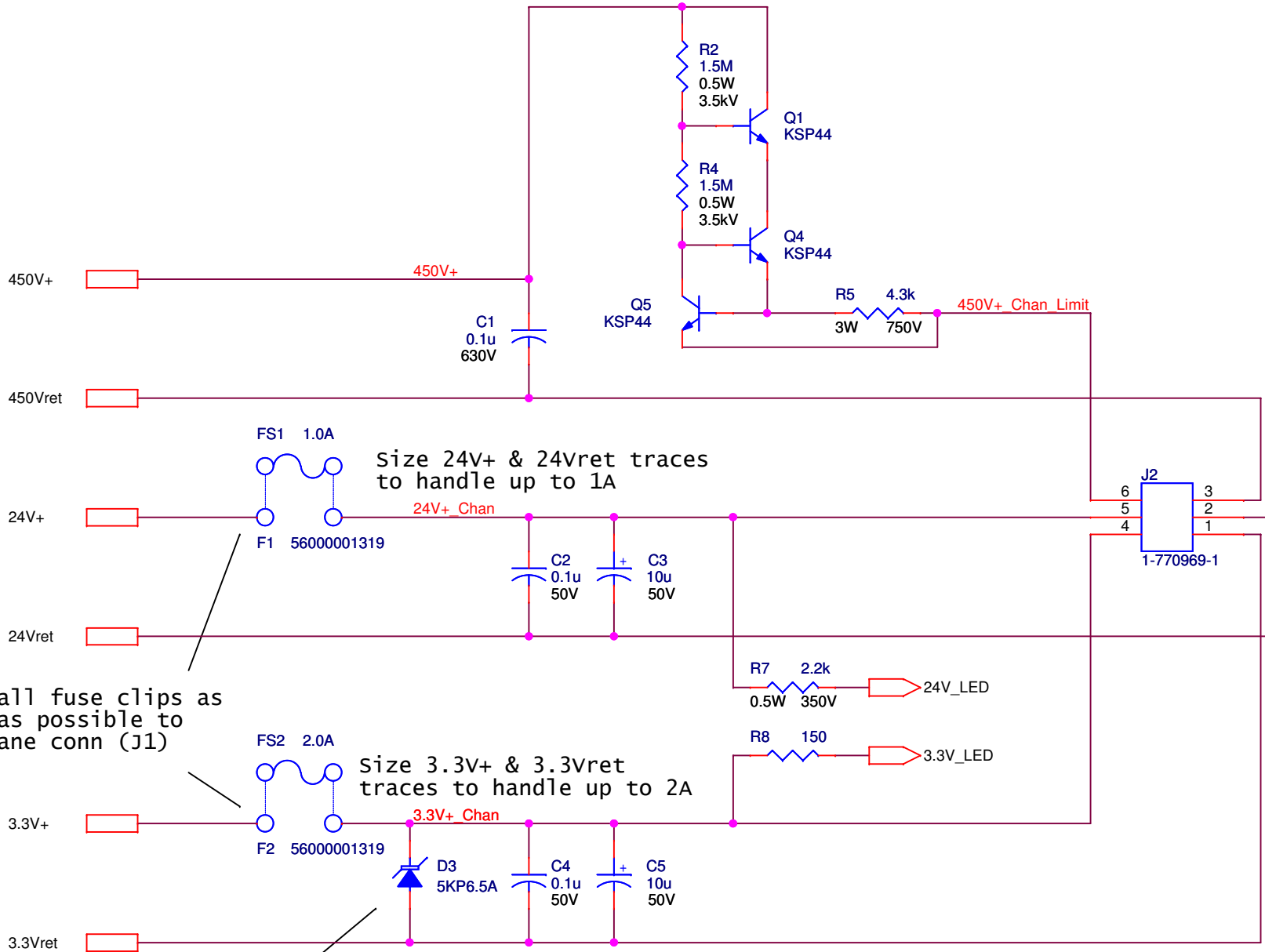
verify LED footprint such that pin 1 is top/yellow anode.

University of Virginia Physics Dept.  
 382 McCormick Rd, Charlottesville, VA 22904

Title  
**PDB FEB Card for NOVA Project**

Size A	Drawn By Stephen Goadhouse, 434-982-5594, sgd6h@virginia.edu	Rev 3.1
-----------	---	------------

Date: Monday, November 23, 2009 Sheet 1 of 5



Size 24V+ & 24Vret traces to handle up to 1A

Size 3.3V+ & 3.3Vret traces to handle up to 2A

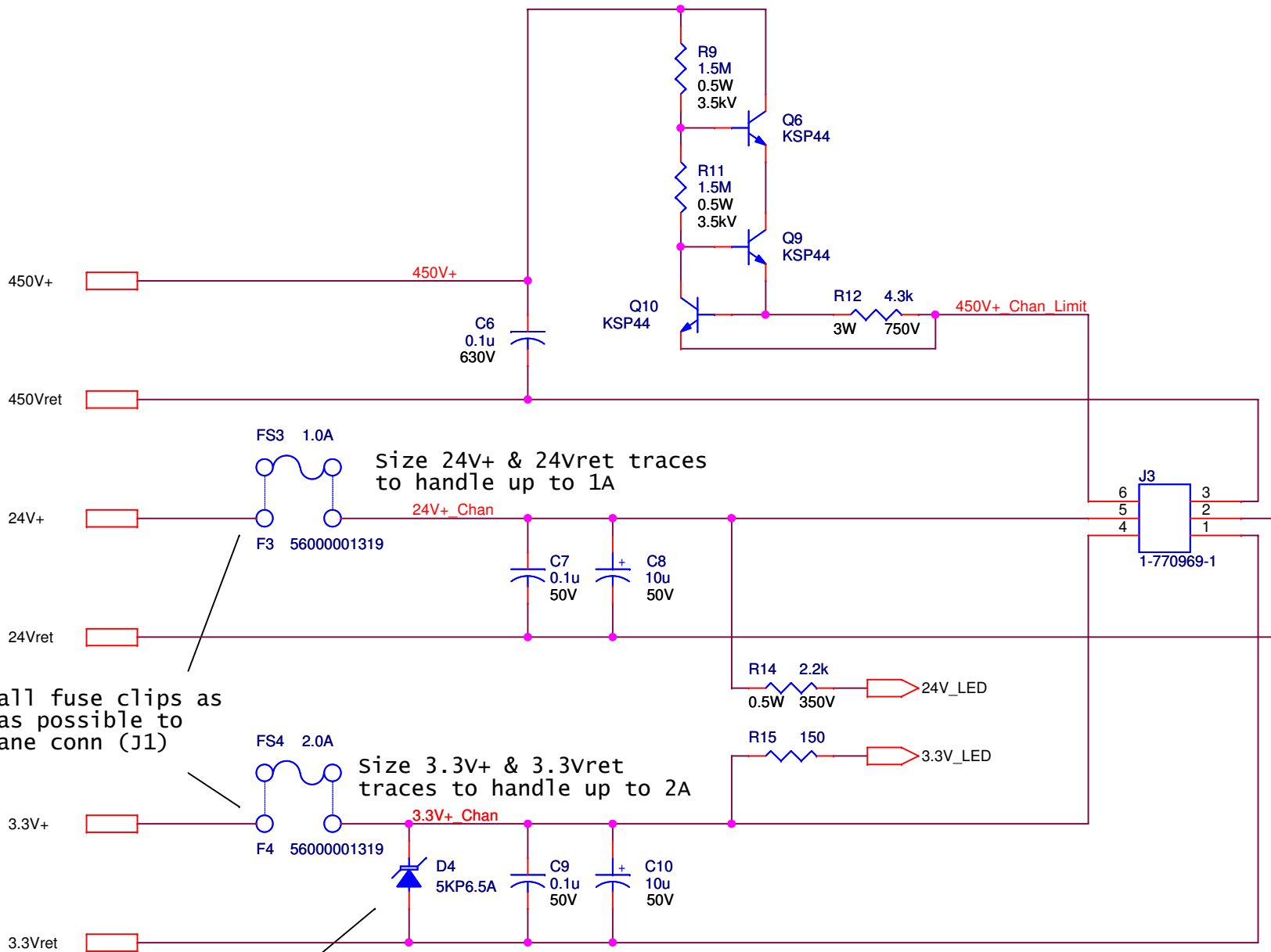
Place all fuse clips as close as possible to backplane conn (J1)

Place TVS as close as possible to fuse clip.

Front Panel Power Conn

/Chan1

University of Virginia Physics Dept. 382 McCormick Rd, Charlottesville, VA 22904		
Title <b>PDB FEB Card for NOVA Project</b>		
Size A	Drawn By Stephen Goadhouse, 434-982-5594, sgd6h@virginia.edu	Rev 3.1
Date:	Monday, November 23, 2009	Sheet 2 of 5



Size 24V+ & 24Vret traces to handle up to 1A

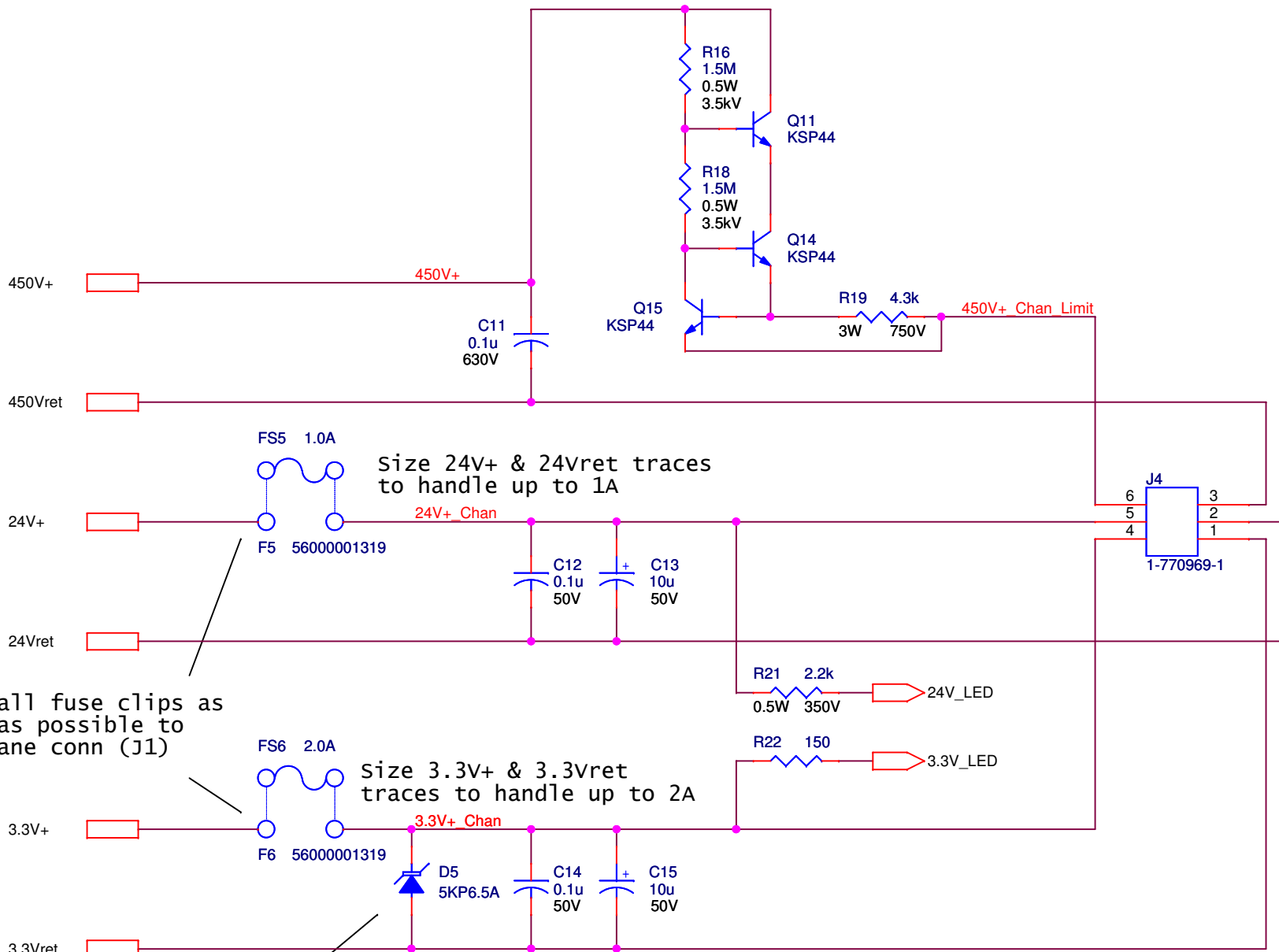
Place all fuse clips as close as possible to backplane conn (J1)

Size 3.3V+ & 3.3Vret traces to handle up to 2A

Place TVS as close as possible to fuse clip.

/Chan2

University of Virginia Physics Dept. 382 McCormick Rd, Charlottesville, VA 22904		
Title <b>PDB FEB Card for NOVA Project</b>		
Size A	Drawn By Stephen Goadhouse, 434-982-5594, sgd6h@virginia.edu	Rev 3.1
Date:	Monday, November 23, 2009	Sheet 3 of 5



Size 24V+ & 24Vret traces to handle up to 1A

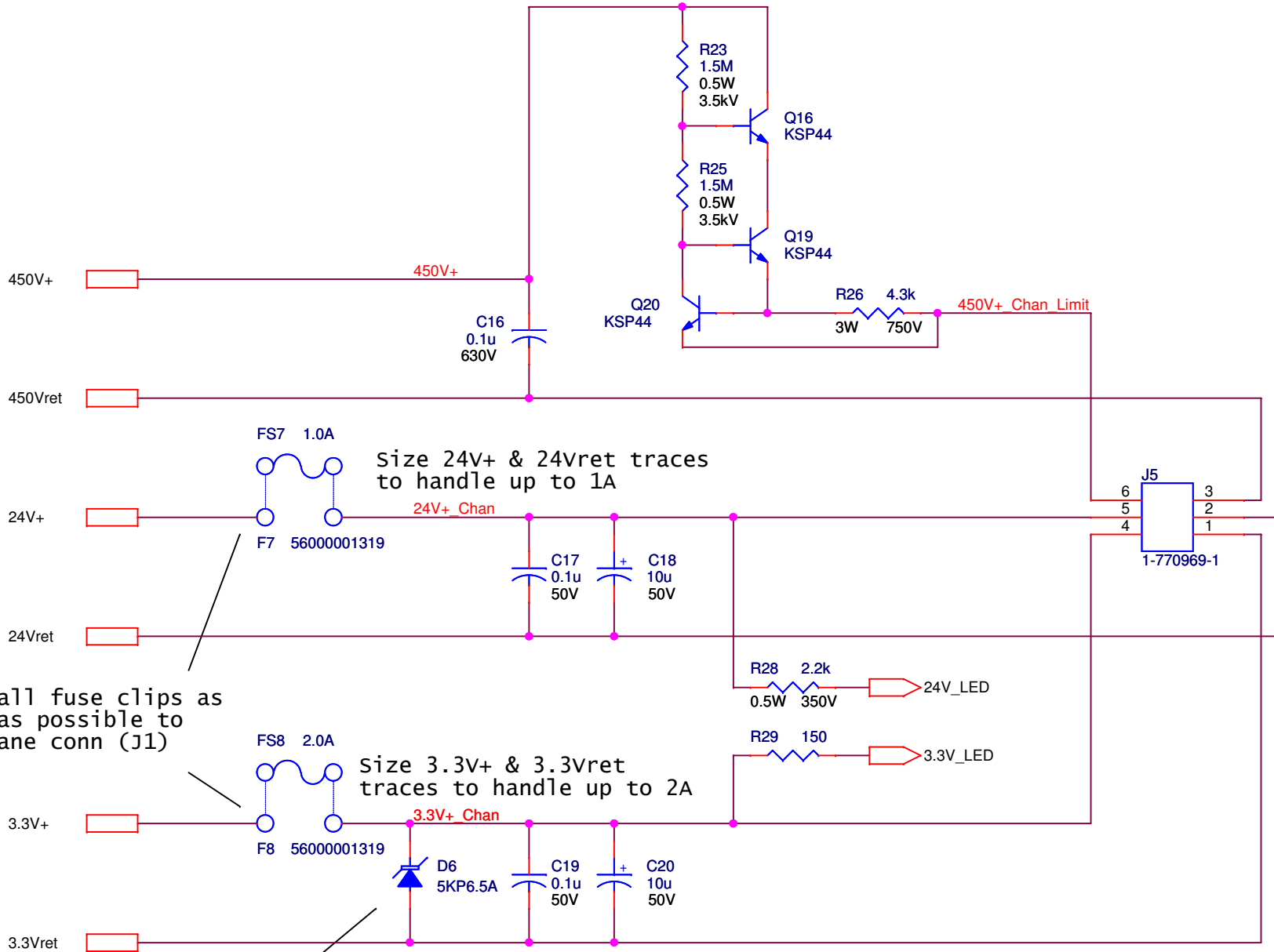
Size 3.3V+ & 3.3Vret traces to handle up to 2A

Place all fuse clips as close as possible to backplane conn (J1)

Place TVS as close as possible to fuse clip.

/Chan3

University of Virginia Physics Dept. 382 McCormick Rd, Charlottesville, VA 22904		
Title <b>PDB FEB Card for NOVA Project</b>		
Size A	Drawn By Stephen Goadhouse, 434-982-5594, sgd6h@virginia.edu	Rev 3.1
Date:	Monday, November 23, 2009	Sheet 4 of 5



Size 24V+ & 24Vret traces to handle up to 1A

Size 3.3V+ & 3.3Vret traces to handle up to 2A

Place all fuse clips as close as possible to backplane conn (J1)

Place TVS as close as possible to fuse clip.

/Chan4

University of Virginia Physics Dept. 382 McCormick Rd, Charlottesville, VA 22904		
Title <b>PDB FEB Card for NOvA Project</b>		
Size A	Drawn By Stephen Goadhouse, 434-982-5594, sgd6h@virginia.edu	Rev 3.1
Date:	Monday, November 23, 2009	Sheet 5 of 5