

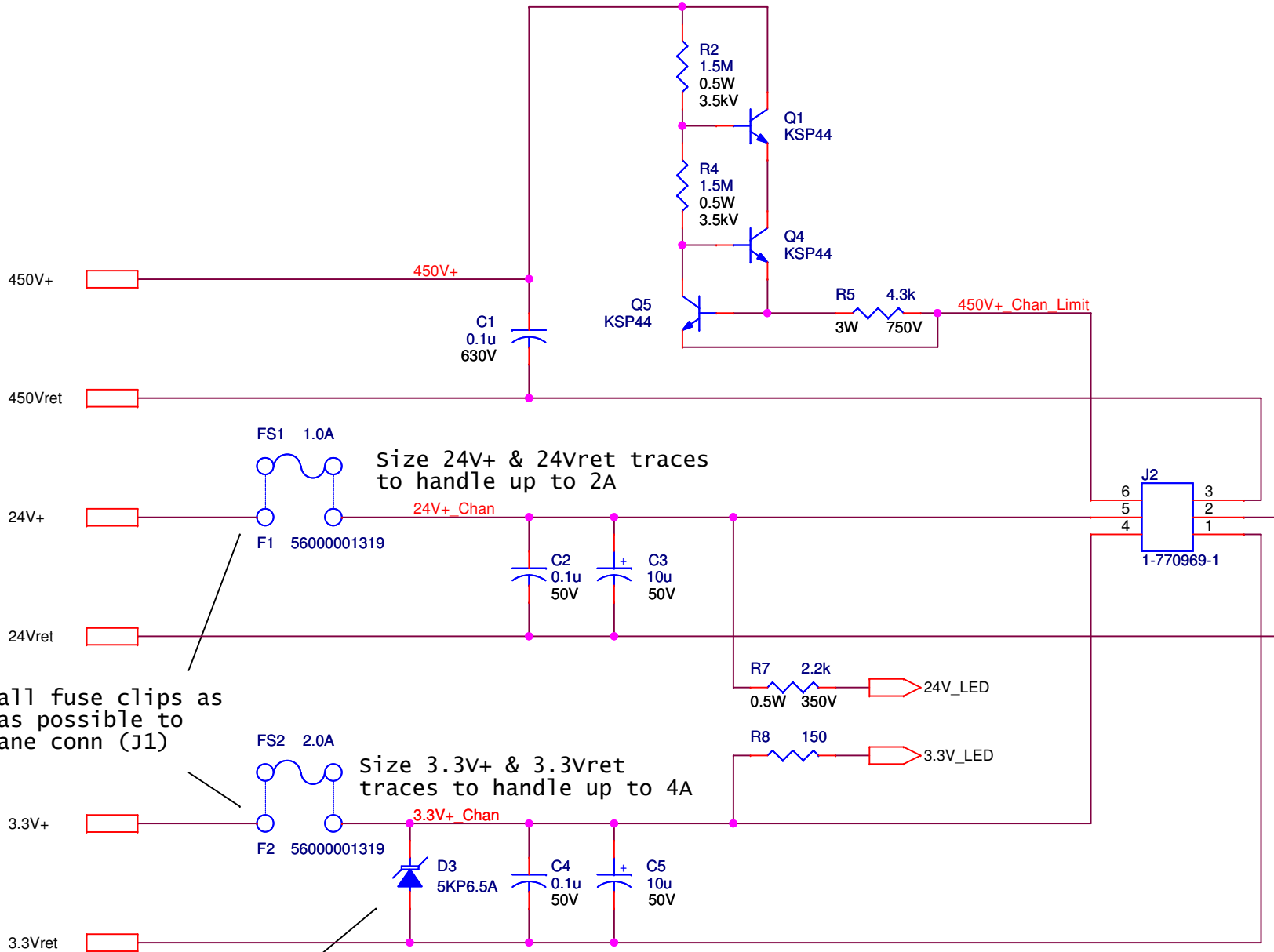
verify LED footprint such that pin 1 is top/yellow anode.

University of Virginia Physics Dept.
382 McCormick Rd, Charlottesville, VA 22904

Title
PDB FEB Card for NOVA Project

Size A	Drawn By Stephen Goadhouse, 434-982-5594, sgd6h@virginia.edu	Rev 3.1
-----------	---	------------

Date: Tuesday, January 05, 2010 Sheet 1 of 5



Size 24V+ & 24Vret traces to handle up to 2A

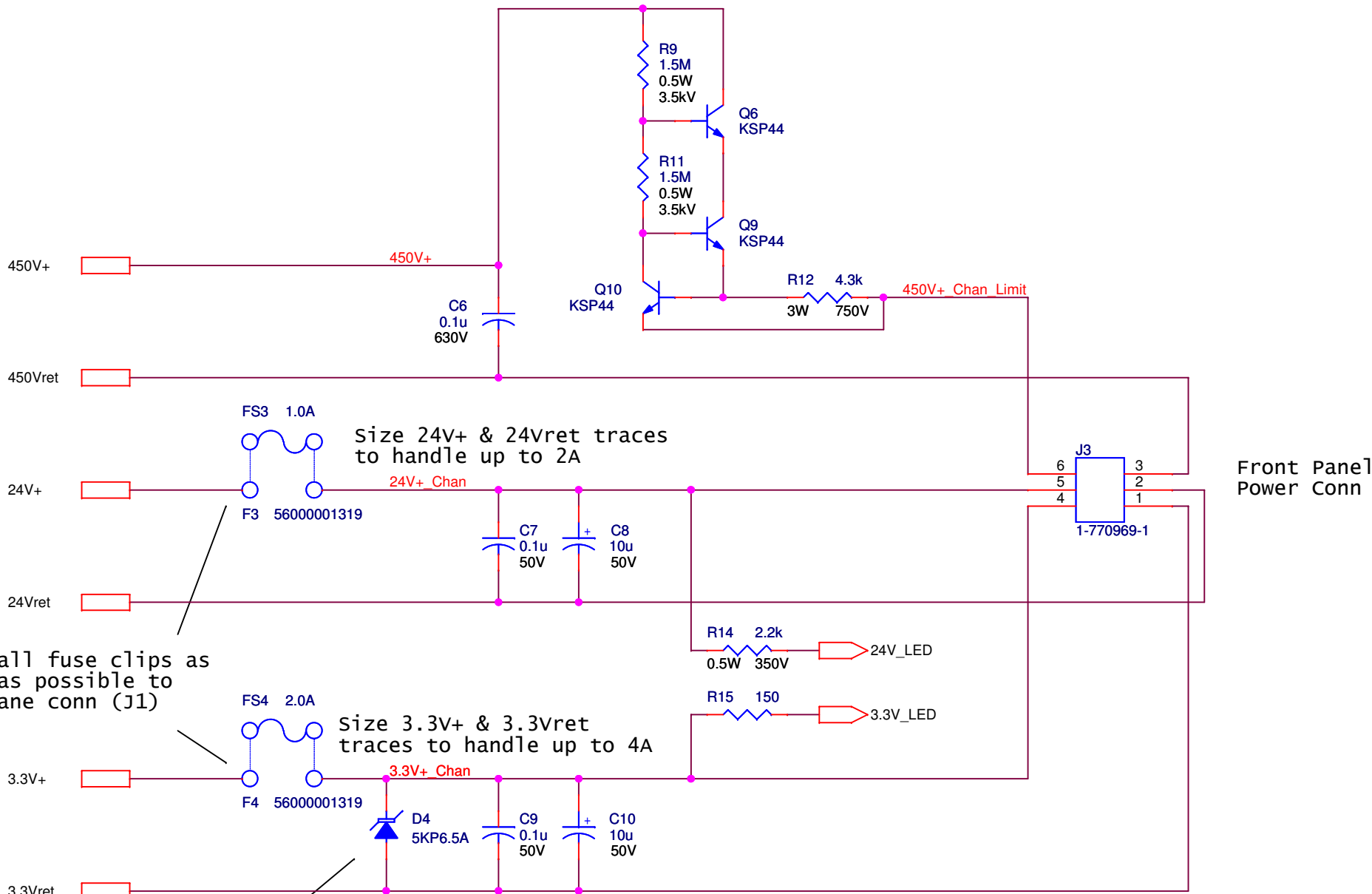
Size 3.3V+ & 3.3Vret traces to handle up to 4A

Place all fuse clips as close as possible to backplane conn (J1)

Place TVS as close as possible to fuse clip.

/Chan1

University of Virginia Physics Dept. 382 McCormick Rd, Charlottesville, VA 22904		
Title PDB FEB Card for NOVA Project		
Size A	Drawn By Stephen Goadhouse, 434-982-5594, sgd6h@virginia.edu	Rev 3.1
Date:	Tuesday, January 05, 2010	Sheet 2 of 5



Size 24V+ & 24Vret traces to handle up to 2A

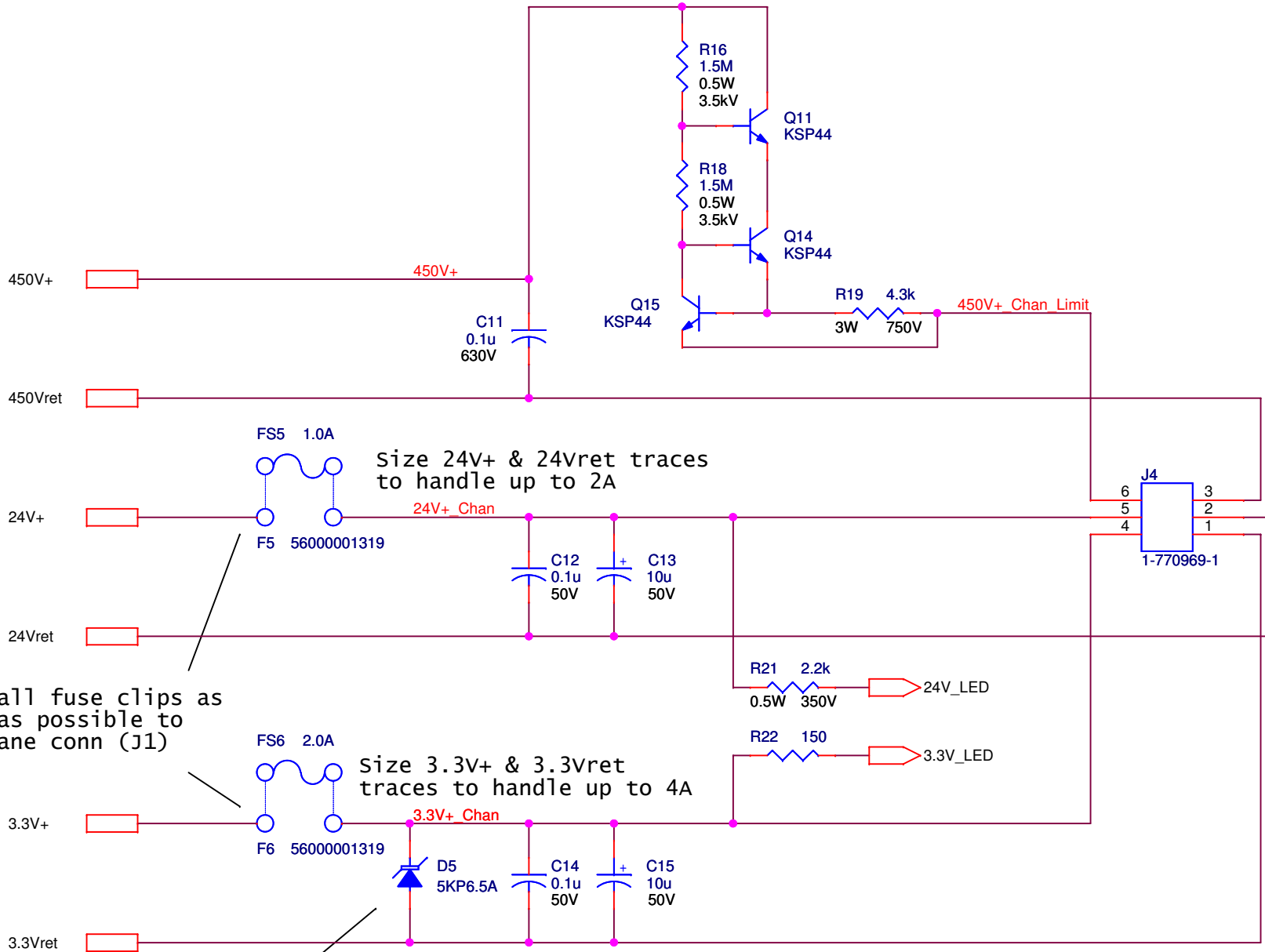
Size 3.3V+ & 3.3Vret traces to handle up to 4A

Place all fuse clips as close as possible to backplane conn (J1)

Place TVS as close as possible to fuse clip.

/Chan2

University of Virginia Physics Dept. 382 McCormick Rd, Charlottesville, VA 22904		
Title PDB FEB Card for NOvA Project		
Size A	Drawn By Stephen Goadhouse, 434-982-5594, sgd6h@virginia.edu	Rev 3.1
Date:	Tuesday, January 05, 2010	Sheet 3 of 5



Size 24V+ & 24Vret traces to handle up to 2A

Size 3.3V+ & 3.3Vret traces to handle up to 4A

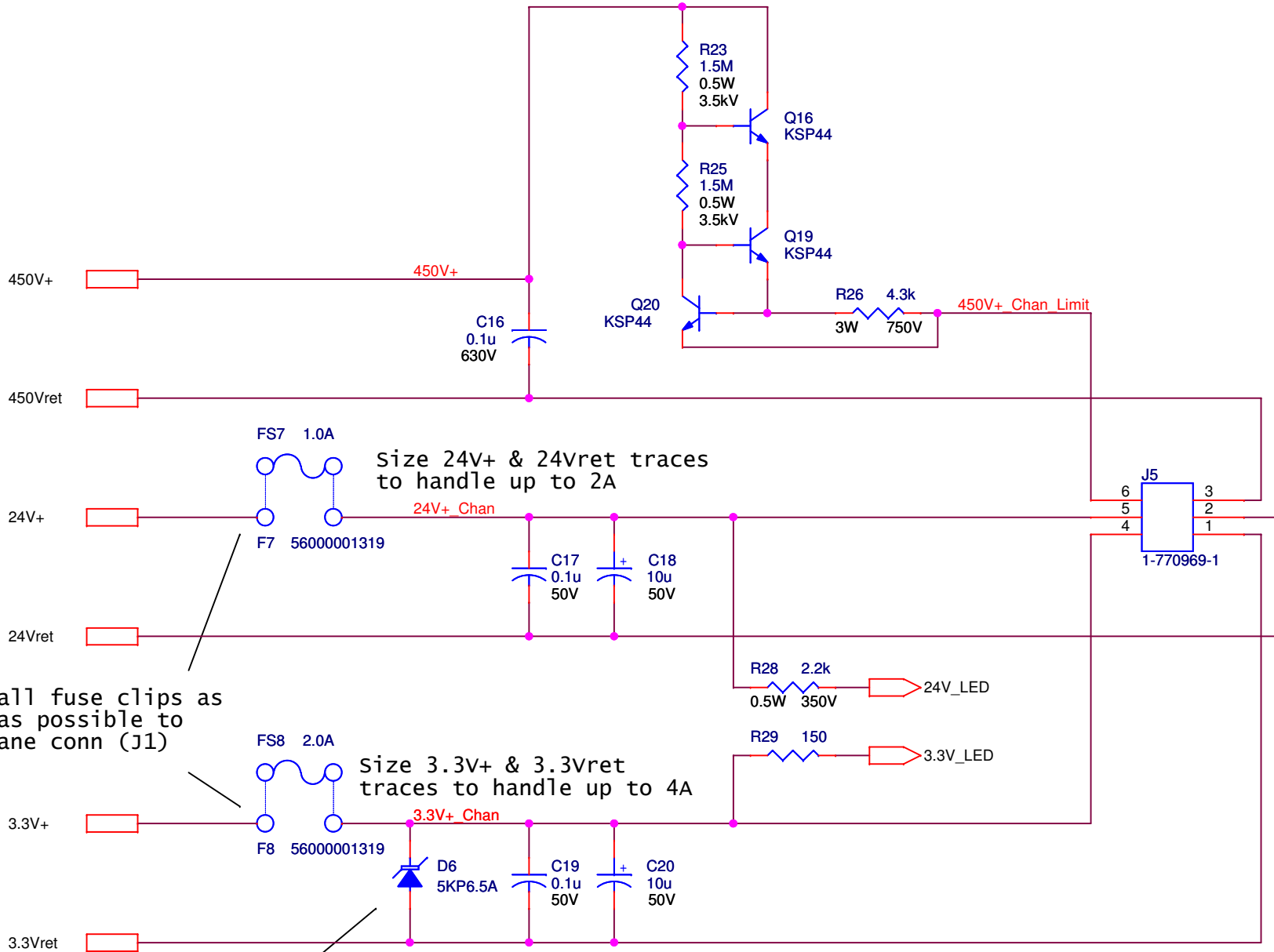
Place all fuse clips as close as possible to backplane conn (J1)

Place TVS as close as possible to fuse clip.

Front Panel Power Conn

/Chan3

University of Virginia Physics Dept. 382 McCormick Rd, Charlottesville, VA 22904		
Title PDB FEB Card for NOVA Project		
Size A	Drawn By Stephen Goadhouse, 434-982-5594, sgd6h@virginia.edu	Rev 3.1
Date:	Tuesday, January 05, 2010	Sheet 4 of 5



Size 24V+ & 24Vret traces to handle up to 2A

Size 3.3V+ & 3.3Vret traces to handle up to 4A

Place all fuse clips as close as possible to backplane conn (J1)

Place TVS as close as possible to fuse clip.

/Chan4

University of Virginia Physics Dept. 382 McCormick Rd, Charlottesville, VA 22904		
Title PDB FEB Card for NOvA Project		
Size A	Drawn By Stephen Goadhouse, 434-982-5594, sgd6h@virginia.edu	Rev 3.1
Date:	Tuesday, January 05, 2010	Sheet 5 of 5