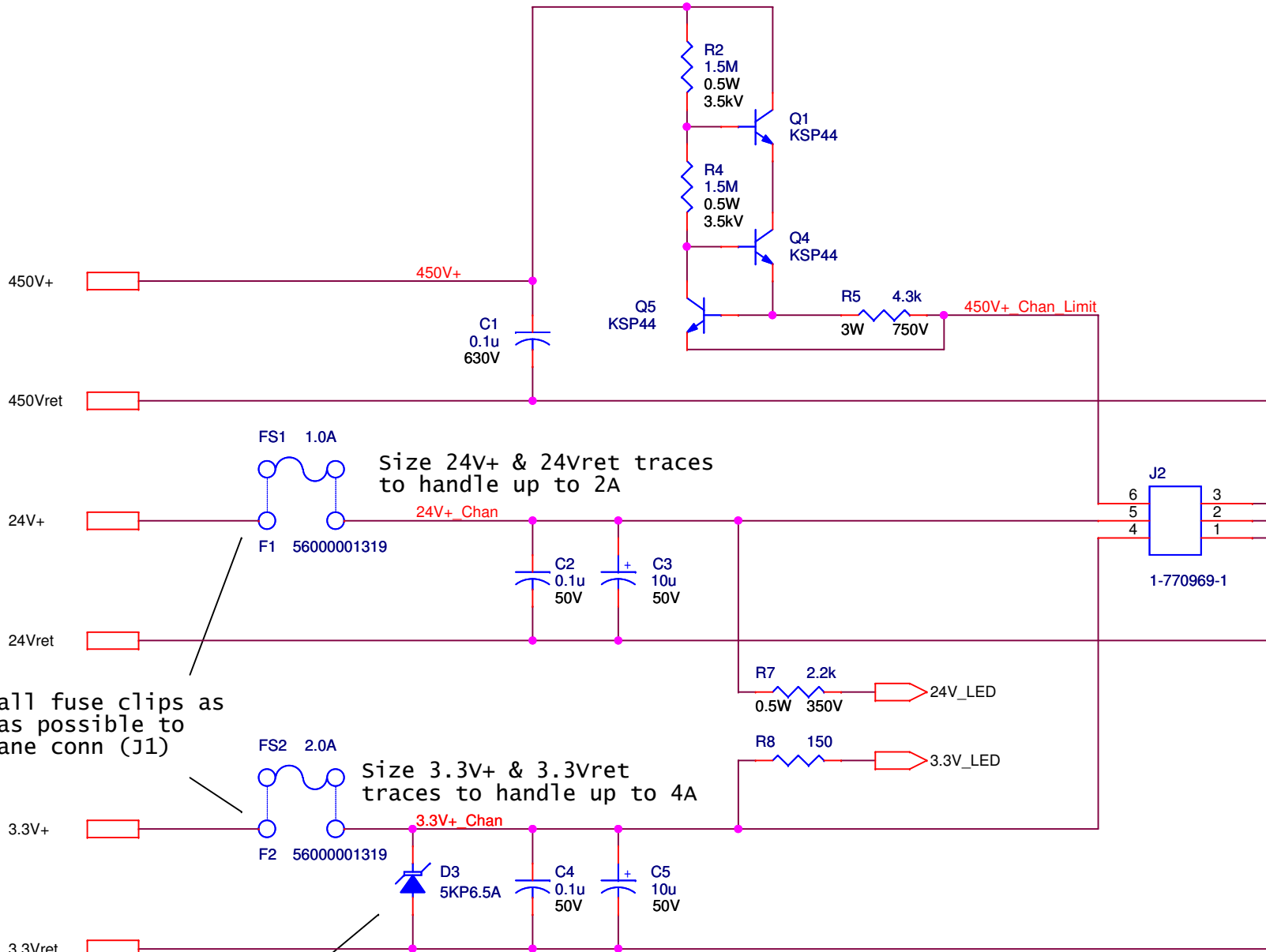


verify LED footprint such that pin 1 is top/yellow anode.

University of Virginia Physics Dept. 382 McCormick Rd, Charlottesville, VA 22904		
Title PDB FEB Card for NOvA Project		
Size A	Drawn By Stephen Goadhouse, 434-982-5594, sgd6h@virginia.edu	Rev 3.1
Date: Tuesday, January 19, 2010	Sheet 1 of 5	



Front Panel Power Conn

Place all fuse clips as close as possible to backplane conn (J1)

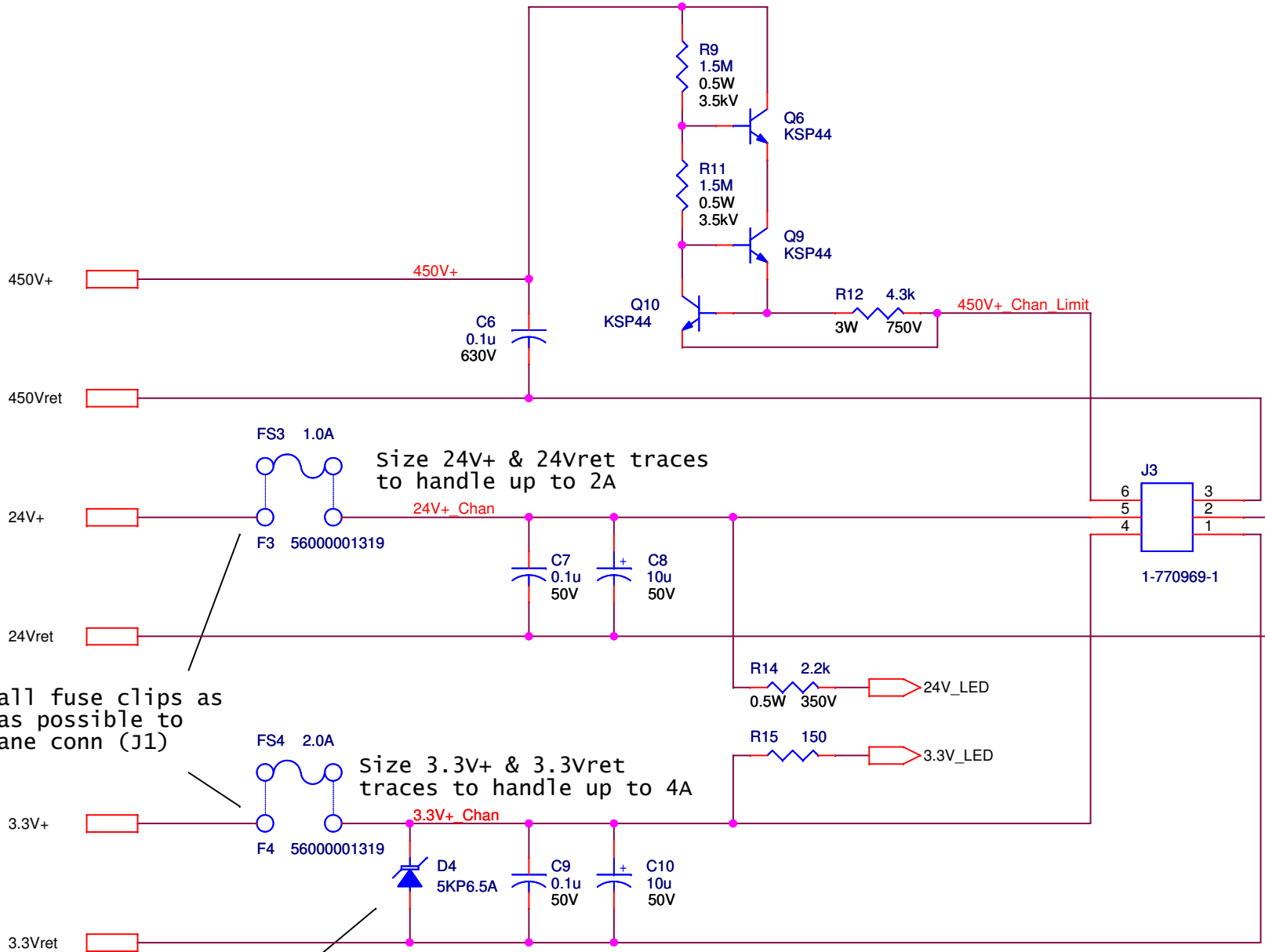
Place TVS as close as possible to fuse clip.

Size 24V+ & 24Vret traces to handle up to 2A

Size 3.3V+ & 3.3Vret traces to handle up to 4A

/Chan1

University of Virginia Physics Dept. 382 McCormick Rd, Charlottesville, VA 22904		
Title PDB FEB Card for NOVA Project		
Size A	Drawn By Stephen Goadhouse, 434-982-5594, sgd6h@virginia.edu	Rev 3.1
Date:	Tuesday, January 19, 2010	Sheet 2 of 5



Front Panel Power Conn

Size 24V+ & 24Vret traces to handle up to 2A

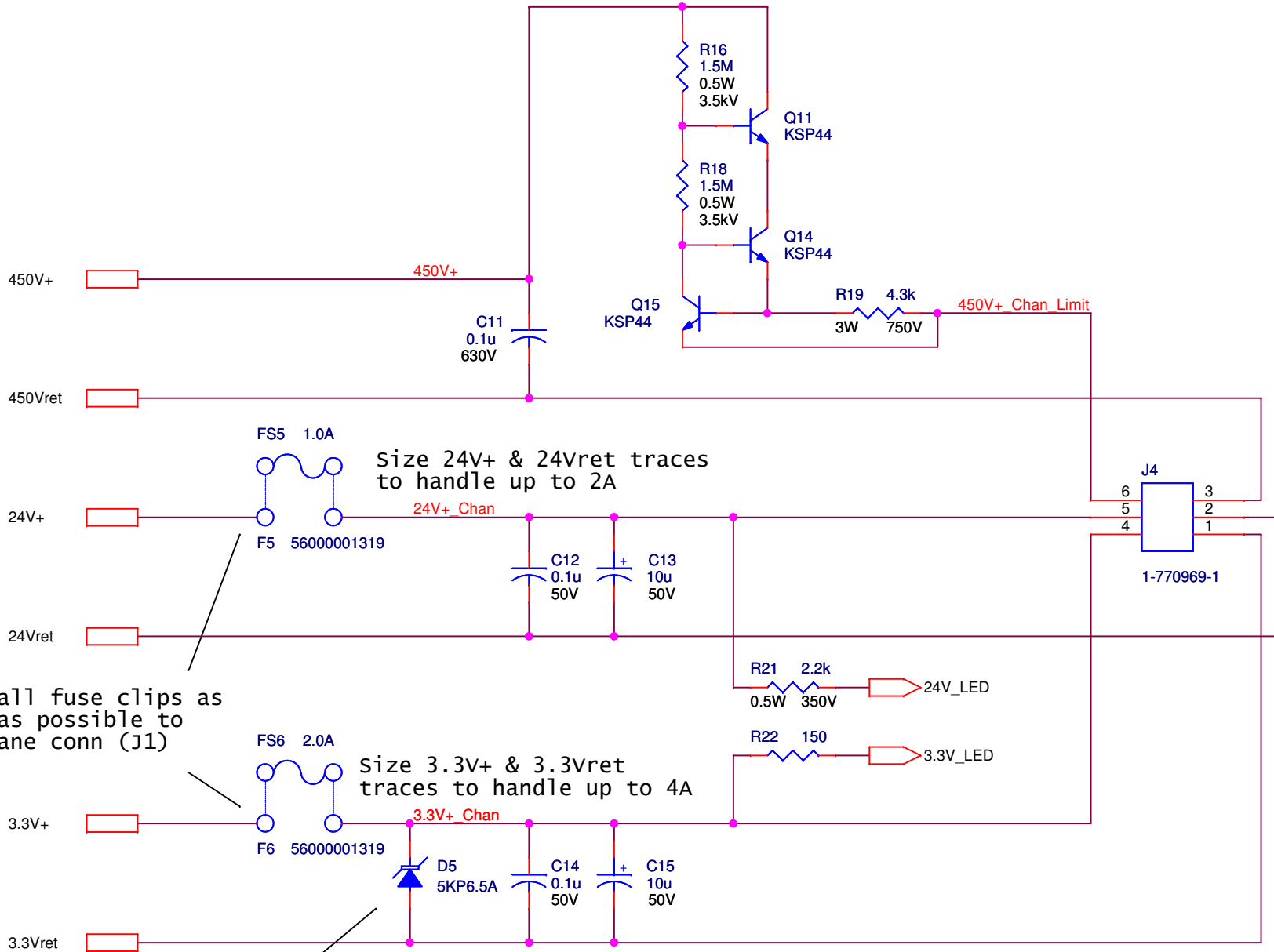
Size 3.3V+ & 3.3Vret traces to handle up to 4A

Place all fuse clips as close as possible to backplane conn (J1)

Place TVS as close as possible to fuse clip.

/Chan2

University of Virginia Physics Dept. 382 McCormick Rd, Charlottesville, VA 22904		
Title PDB FEB Card for NOVA Project		
Size A	Drawn By Stephen Goadhouse, 434-982-5594, sgd6h@virginia.edu	Rev 3.1
Date:	Tuesday, January 19, 2010	Sheet 3 of 5



Size 24V+ & 24Vret traces to handle up to 2A

Size 3.3V+ & 3.3Vret traces to handle up to 4A

Place all fuse clips as close as possible to backplane conn (J1)

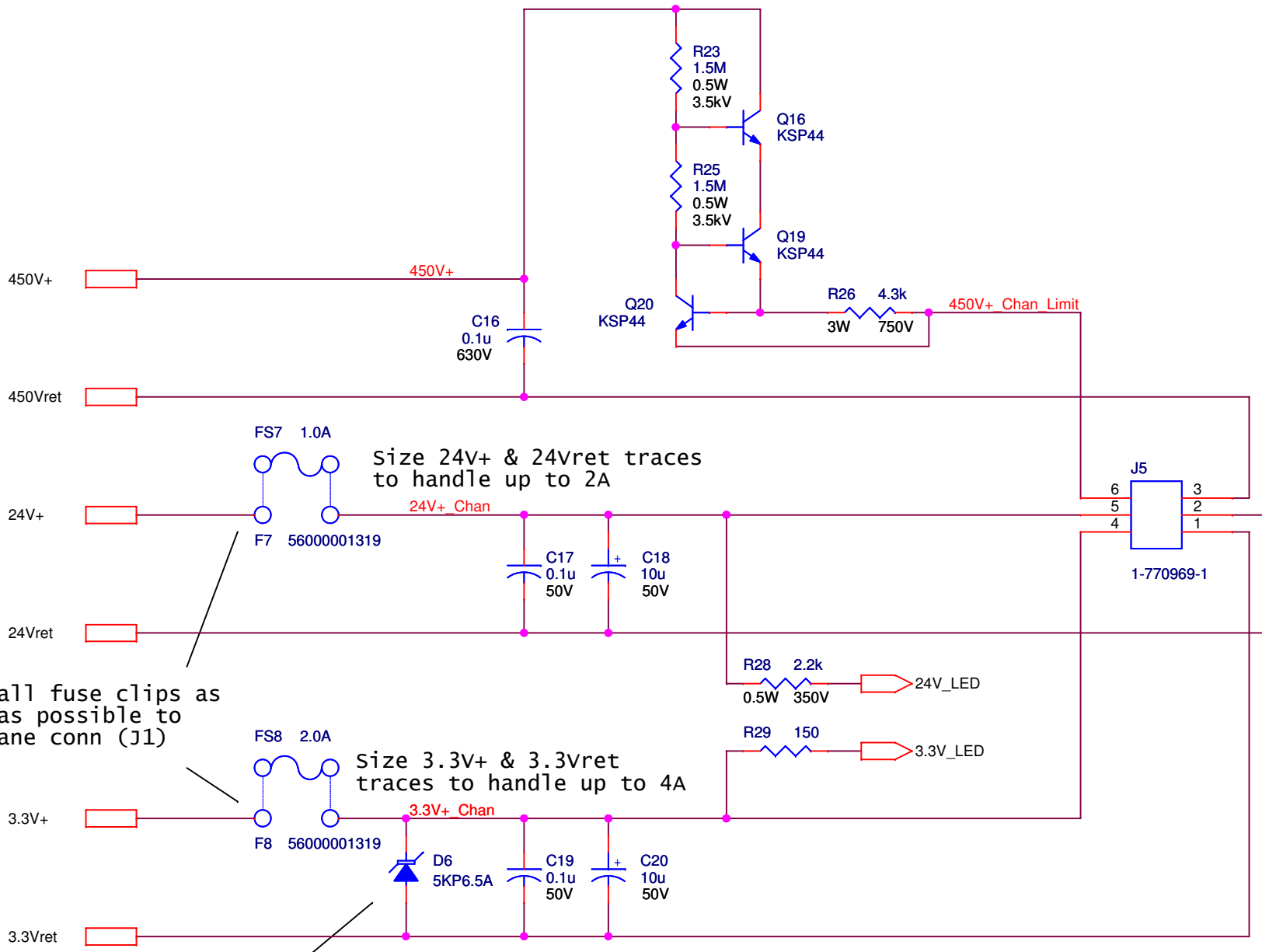
Place TVS as close as possible to fuse clip.

/Chan3

University of Virginia Physics Dept. 382 McCormick Rd, Charlottesville, VA 22904		
Title PDB FEB Card for NOVA Project		
Size A	Drawn By Stephen Goadhouse, 434-982-5594, sgd6h@virginia.edu	Rev 3.1
Date:	Tuesday, January 19, 2010	Sheet 4 of 5

Front Panel Power Conn

1-770969-1



Front Panel Power Conn

Place all fuse clips as close as possible to backplane conn (J1)

Place TVS as close as possible to fuse clip.

Size 24V+ & 24Vret traces to handle up to 2A

Size 3.3V+ & 3.3Vret traces to handle up to 4A

/Chan4

University of Virginia Physics Dept. 382 McCormick Rd, Charlottesville, VA 22904		
Title PDB FEB Card for NOVA Project		
Size A	Drawn By Stephen Goadhouse, 434-982-5594, sgd6h@virginia.edu	Rev 3.1
Date:	Tuesday, January 19, 2010	Sheet 5 of 5