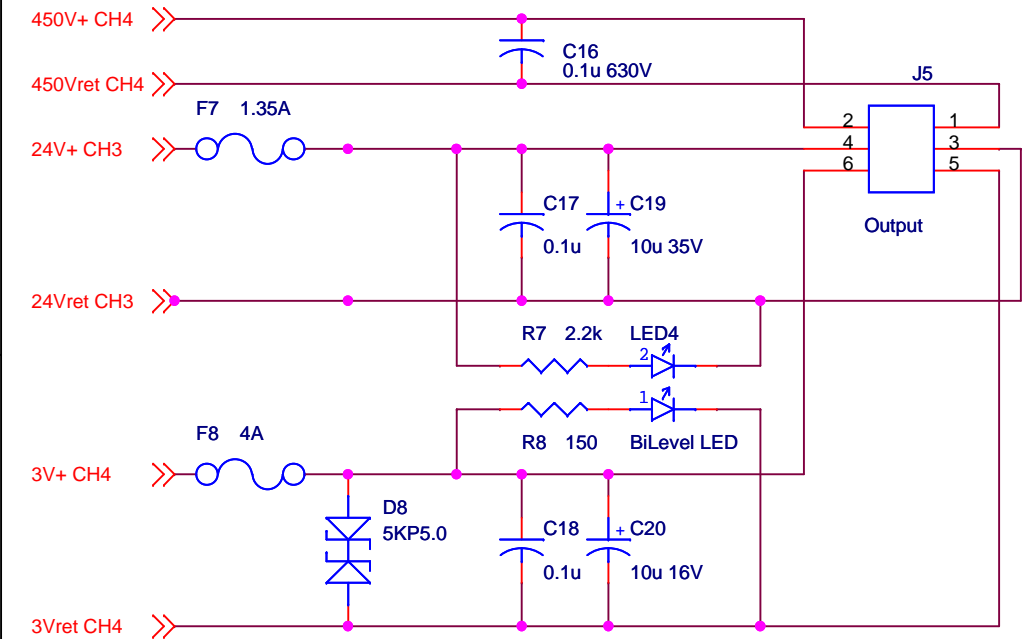
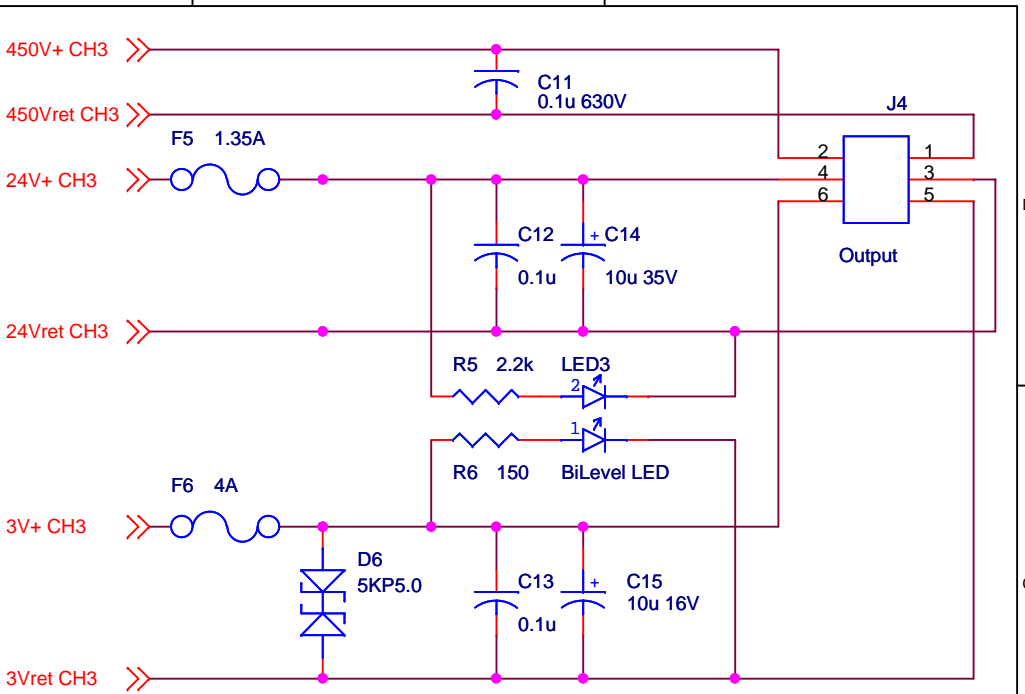
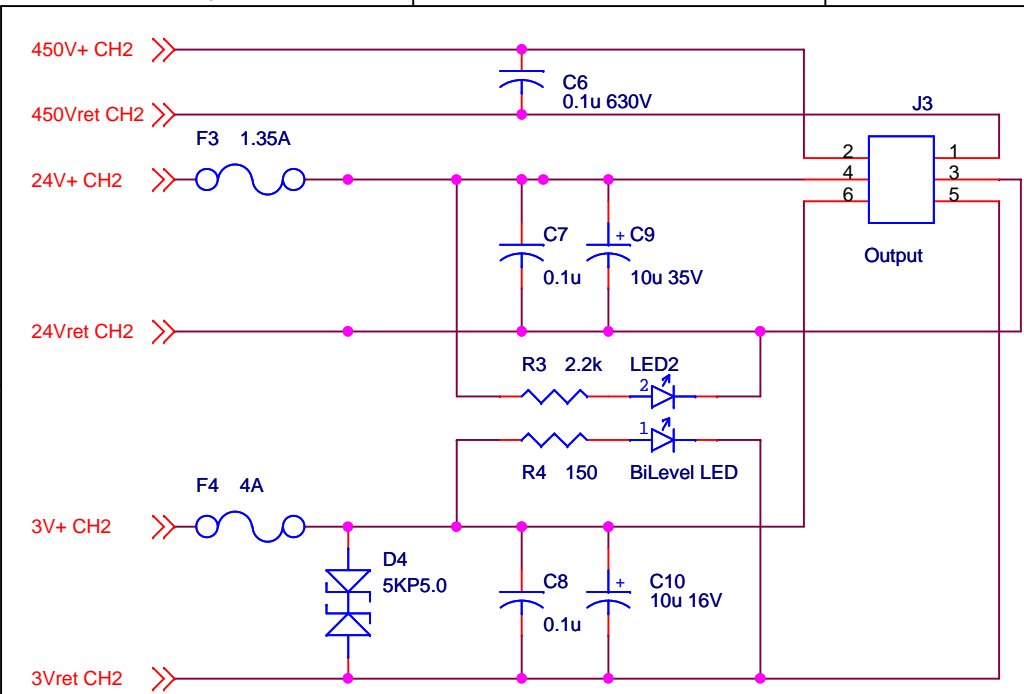
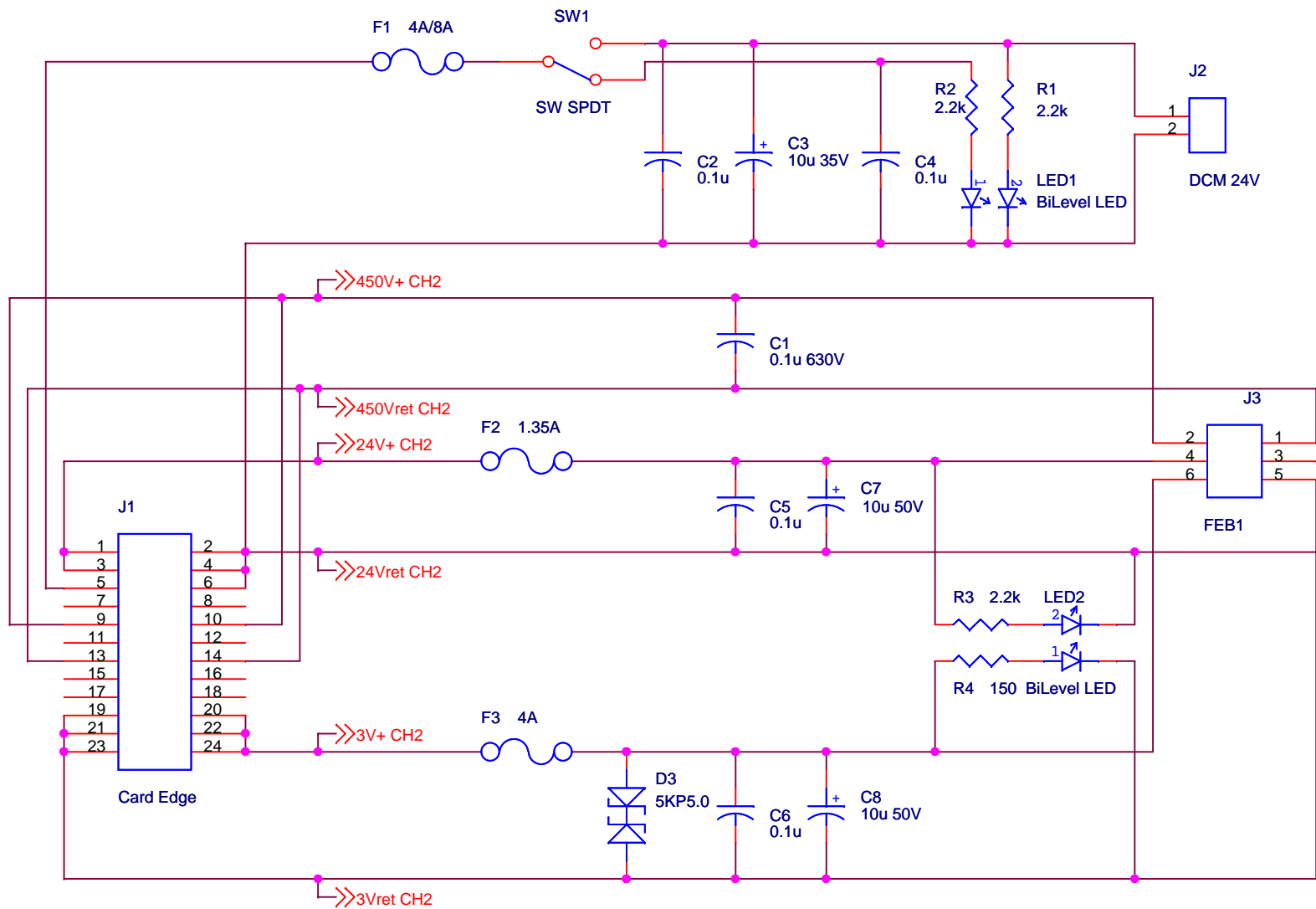


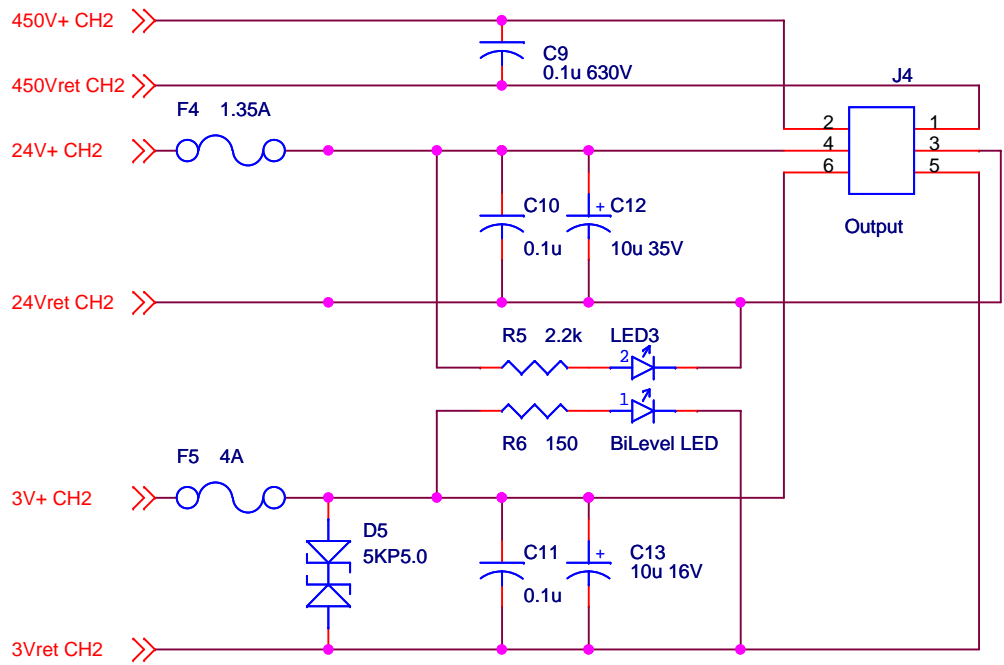
Title		
PDB FEB Card CH1		
Size	Document Number	Rev
A	<Doc>	1.0
Date:	Tuesday, May 15, 2007	Sheet 1 of 1



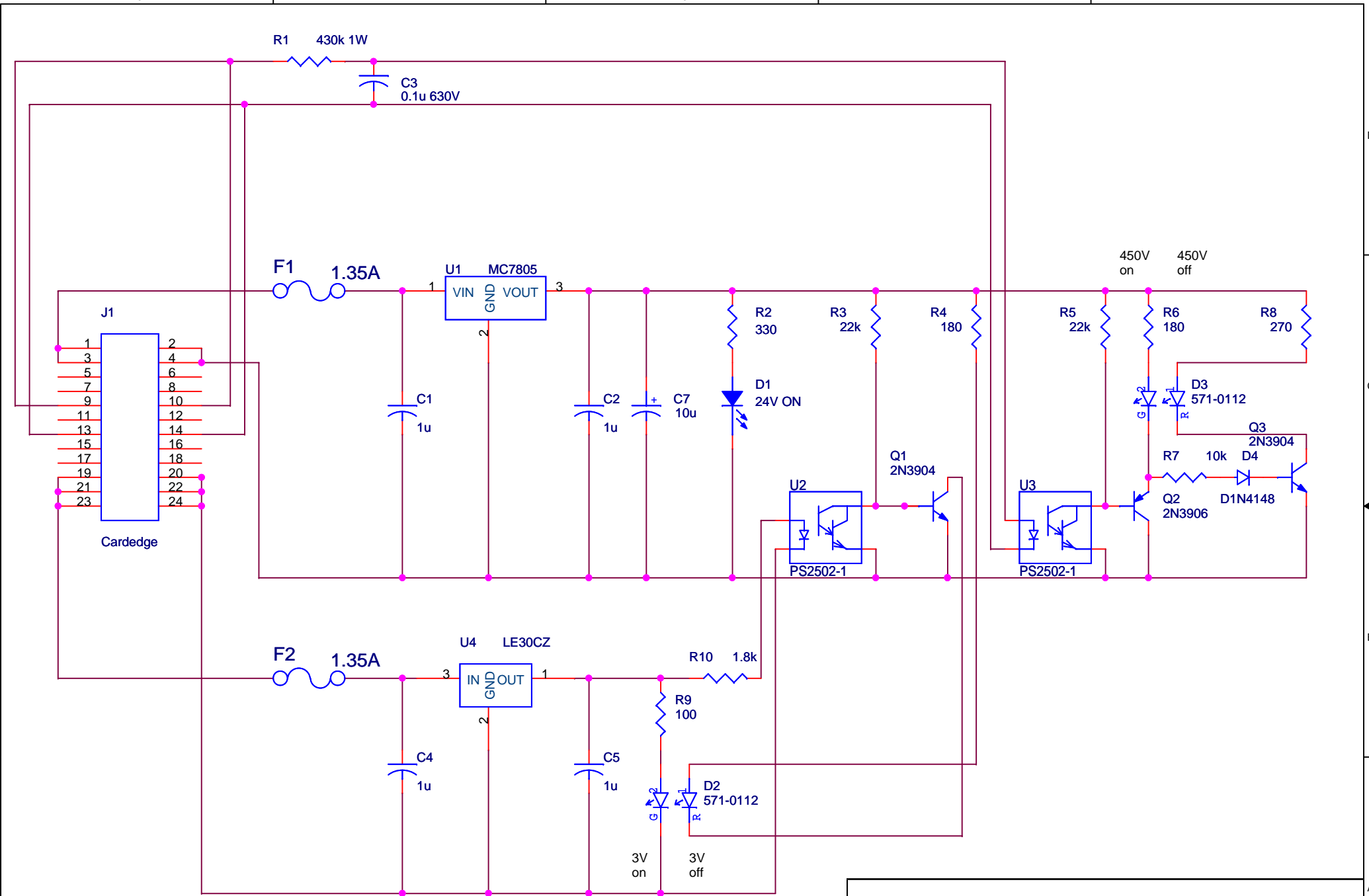
Title		
PDB FEB Card CH2-4		
Size	Document Number	Rev
A	<Doc>	1.0
Date:	Wednesday, May 09, 2007	Sheet 1 of 1



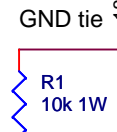
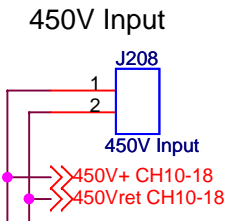
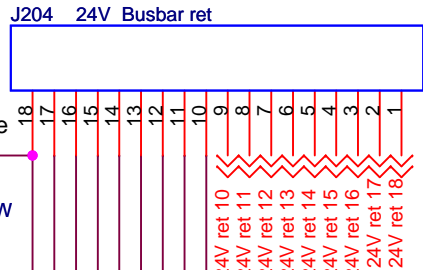
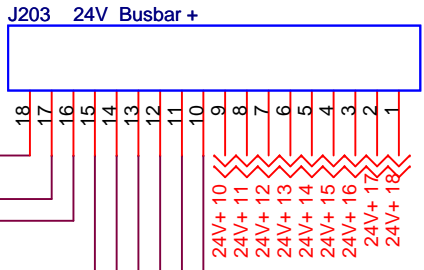
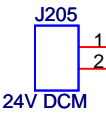
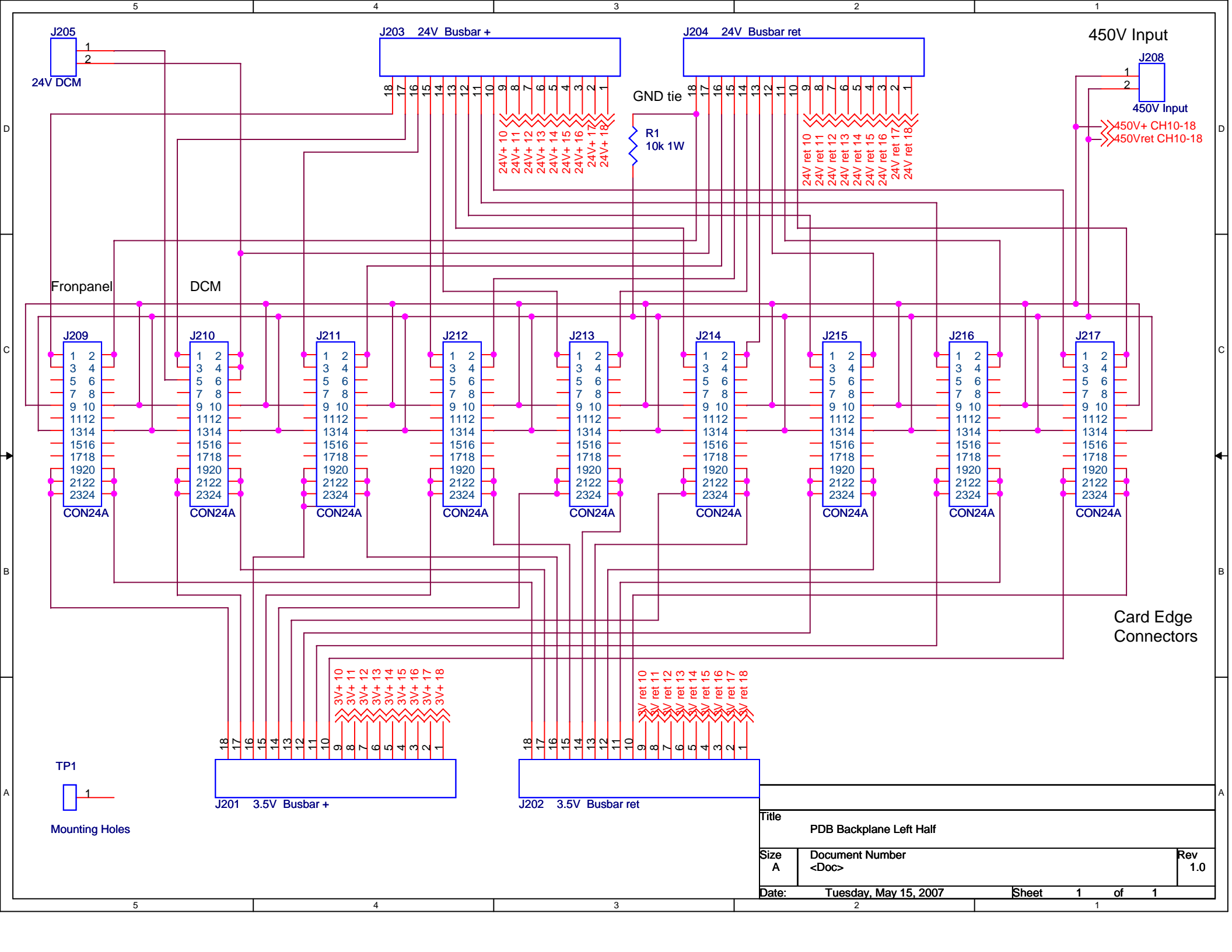
Title		
PDB DCM Card: DCM and FEB ch1		
Size	Document Number	Rev
A	<Doc>	1.0
Date:	Monday, May 14, 2007	Sheet 1 of 1



Title		
PDB DCM Card: DCM and FEB ch2		
Size	Document Number	Rev
A	<Doc>	1.0
Date:	Wednesday, May 09, 2007	Sheet 1 of 1



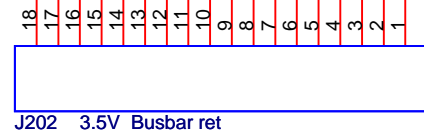
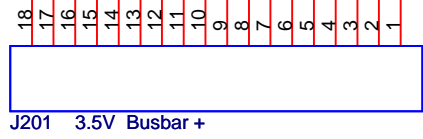
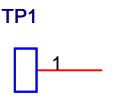
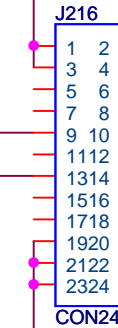
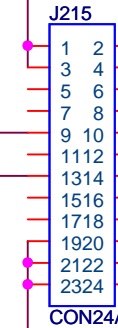
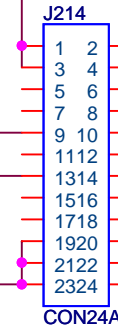
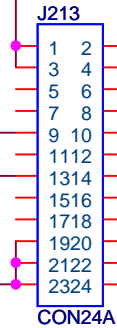
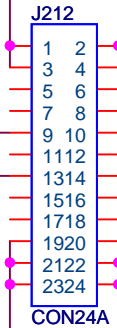
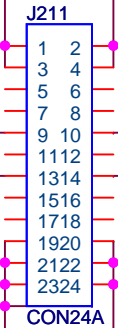
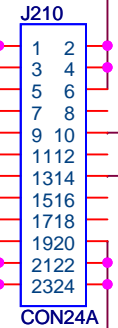
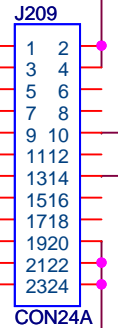
Title		
PDB Indicator Card		
Size	Document Number	Rev
A	<Doc>	1.0
Date:	Tuesday, May 15, 2007	Sheet 1 of 1



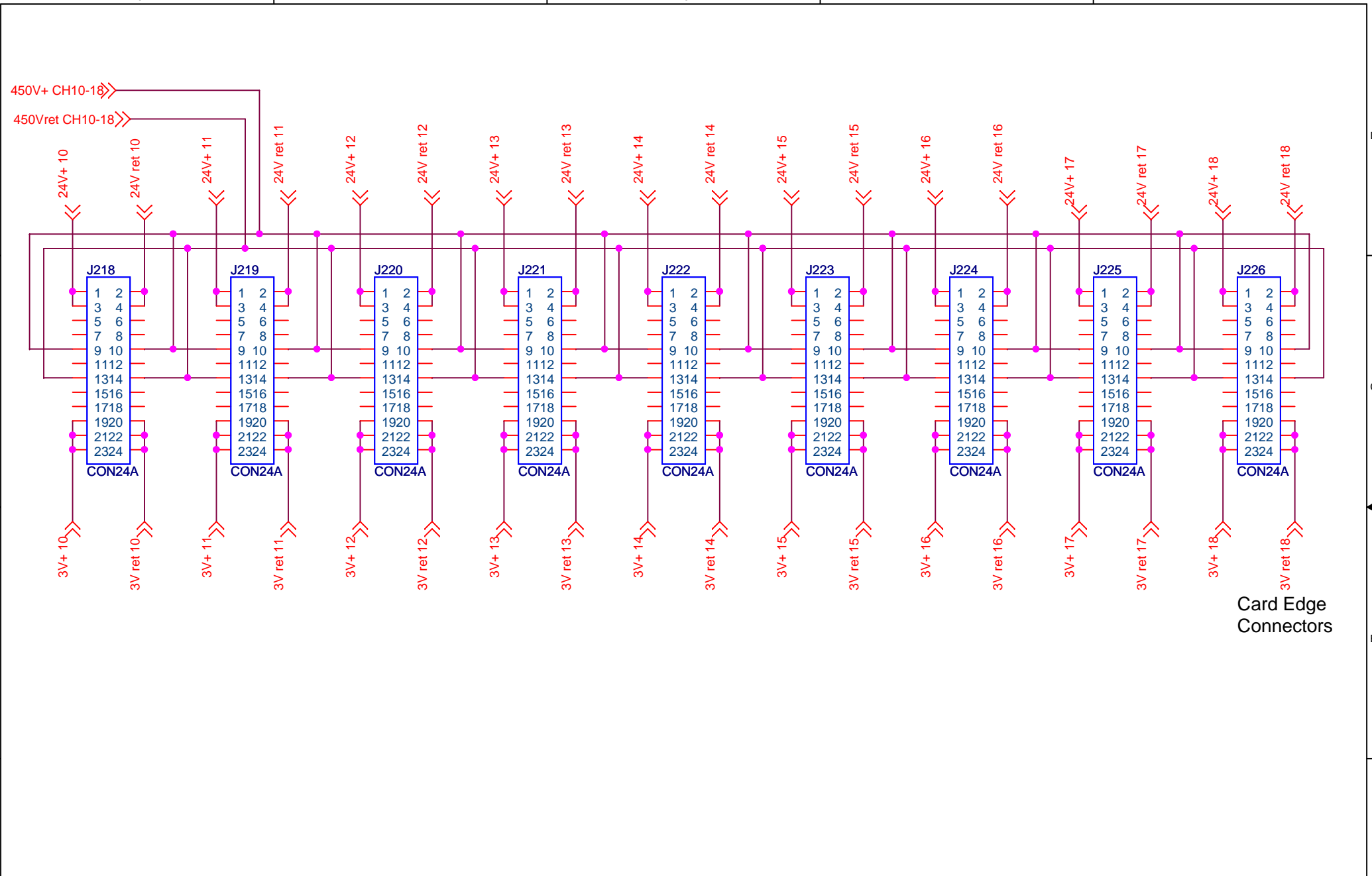
Fronpanel

DCM

Card Edge Connectors



Title		
PDB Backplane Left Half		
Size	Document Number	Rev
A	<Doc>	1.0
Date:	Tuesday, May 15, 2007	Sheet 1 of 1



Card Edge
Connectors

Title		
PDB Backplane Right Half		
Size	Document Number	Rev
A	<Doc>	1.0
Date:	Wednesday, May 09, 2007	Sheet 1 of 1