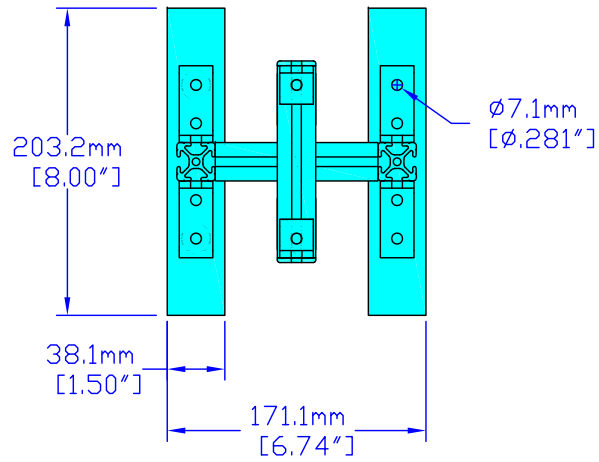
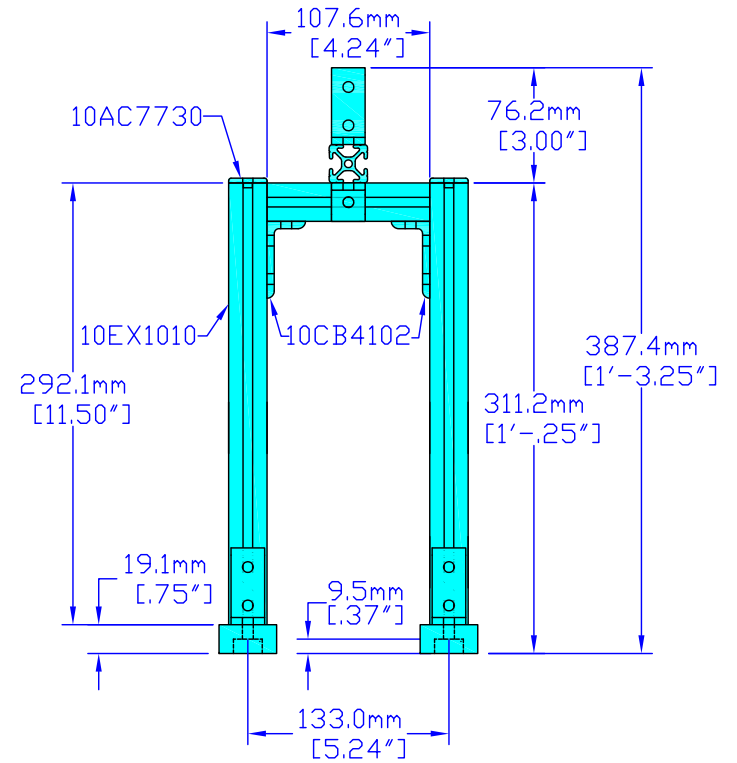


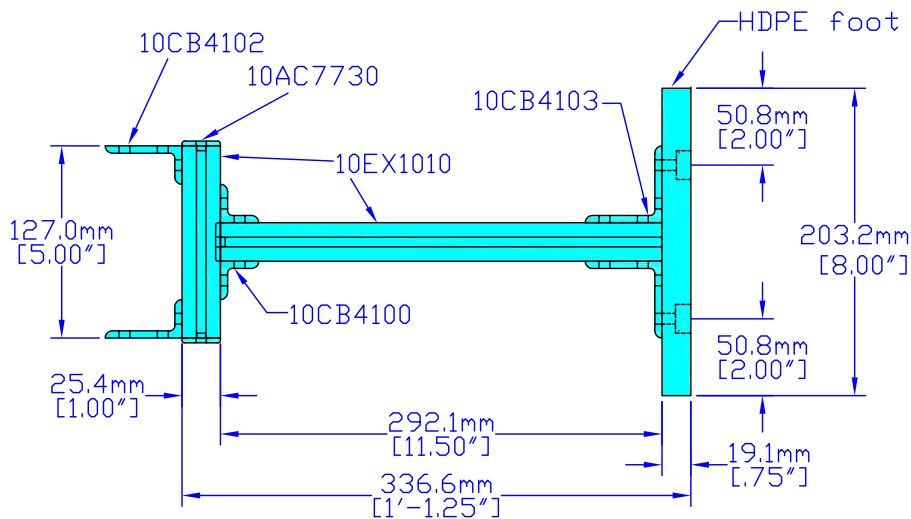
Top View



Side View



Front View



BOM (Faztek T-slot parts)

2	HDPE feet	12	1/4-20 nuts	10FA3121
2	10CB4100	6	1/4-20 nuts	10FA3122
4	10CB4102	20	1/4-20x1/2 SHCS	13FA3303
4	10CB4103	2	10.5" 10EX1010	
4	10AC7730	1	4.24" 10EX1010	
		1	5" 10EX1010	

NOvA Power Distribution System

University of
Virginia Elementary
Particle Physics
Group

Far Detector Top Station Cable Tray Support Stand

Drawn by: E. Craig Dukes

File: pds_infrastructure_fd_v2.dwg

Date: 7 July 2011

Drawing Number: 1/1

Revised:

Scale: 1:5

Note: clears manifolds with ample space below moving walkway.